

# Edifact Messaging Implementation Guidelines

Published December 2016

**Information and technology**  
**for better health and care**



UN/EDIFACT  
DOCUMENT VERSION 1.1  
  
CYTOLOGY MESSAGE

Message Type : CYTFH  
Version : 0  
Release : 2  
Contr. Agency : FH

Status : 0  
Date : 96-06

Source: FHS / NHS / United Kingdom

Printed : 30 November 2016

© **Crown Copyright 2016**

## DOCUMENT CONTROL

This document is controlled by the Networks Section, FHS Computer Unit.

	Name	Signature
Author:	Graham Ryan	
Custodian:	Graham Ryan	
Owner:	Alan Scott	

Note: A copy of the title page and document control pages are stored in the Networks Controlled Documents File. These must be updated on any amendment.

## AMENDMENT HISTORY

Note: All amendments must have authorising signatories, and the document must be updated to a new version number.

<u>Date</u>	<u>Change</u>
3/6/96	Example of Cytology message changed so that the standard action code in the RAR segment is correctly qualified as 864.

# CONTENTS

## CYTOLOGY MESSAGE

1. Introduction
2. Scope
  - 2.1 Functional definition
  - 2.2 Field of application
  - 2.3 Principles
3. References
4. Terms and definitions
5. Message definition
  - 5.1 Data segment clarification
  - 5.2 Message structure
6. Data segment index (Alphabetic sequence)
  - 6.1 Data segment definitions
  - 6.2 Composite Element index (Alphanumeric sequence)
  - 6.3 Simple Element index (Numeric sequence)
  - 6.4 Additions to existing code lists, new code lists
7. Example message

## 1. Introduction

This specification provides the definition of the CYTOLOGY Message (CYTFH) to be used in Electronic Data Interchange (EDI) between partners involved in the area of Laboratory results transfer.

## 2 Scope

### 2.1 Functional definition

A cytology message is sent from a Cytology laboratory to an FHSA in order to provide patient cytology test results and related information.

### 2.2 Field of application

This message may be applied nationally for all FHSAs but is dependant on the Cytology laboratories capability for using EDI.

### 2.3 Principles

The overall structure of the message is one message for one or more patients.

## 3. References (Standards)

The CYTOLOGY message conforms to the following standards (please refer to these standards) :

Syntax	ISO 9735	Electronic Data Interchange for Administration, Commerce and Transport (EDIFACT) Application Level Syntax Rules.
--------	----------	--

Data Elements	ISO 7232	UN Trade Data Elements (UNTDDED)
---------------	----------	----------------------------------

The UN/ECE have combined the required data elements from ISO 7232 with the associated segments, composite data elements and codes into a set of directories called the UNTDID. This directory is now revised each year and the 90.2 version has been used in this message definition.

Segments	EDSD UN/EDIFACT Data Segments Directory.
----------	--

Composite	EDCDUN/EDIFACT Composite Data
-----------	-------------------------------

Data Elements Elements Directory.

Data Elements EDEDUN/EDIFACT Data Elements Directory.  
Code Lists EDCLUN/EDIFACT Code Lists.

These directories are taken from release 90.2.

#### **4. Terms and definitions**

See UNTDID, Part 4, Section 2.5, UN/ECE UNSM General introduction, Section 1 or the SITPRO EDIFACT service, volume 3, data definitions.

## **5. Message definition**

### **5.1 Data segment clarification**

This section should be read in conjunction with the Branching diagram and the Segment table which indicate mandatory, conditional and repeating requirements.

New segments are marked with "+", modified segments with "\*".

#### **5.1.1 Heading section**

Information to be provided in the Heading section:

UNH, Message header

A service segment starting and uniquely identifying a message. The message type code for the CYTOLOGY message is CYTFH.

BGM, Beginning of message

A segment to indicate the beginning of a message and to hold the transaction type, job type and transmission date and time.

RFF, Reference

A reference to a file containing the cytology information at the cytology laboratory.

DTM, Date/Time/Period

Contains the start and end date of range of smear tests on file and the run date or transfer date.

NHS, National Health Body

Contains the cytology laboratory code.



### 5.1.2 Detail section

Information to be provided in the Detail section:

Segments group 1: PAD-NHS-DTM-RAR-PCD-NAD

A group of segments identifying cytology laboratory test results for a given patient.

+PAD, Patient Details

A segment containing patient details required for cytology.

+NHS, National Health Body

A segment referencing a Health organisation as well as a General Medical Practice.

DTM, Date/Time/Period

A segment giving the cytology test date.

+RAR, Result and Recall

A segment giving test result and recall status.

+PCD, Patient Cytology details

A segment containing information specific to the cytology message and includes slide number, number of births and abortions, correspondence marker, hysterectomy marker and infection code.

NAD, Name and Address

A segment giving detailed information of the patients address.

### 5.1.3 Summary section

Information to be provided in the summary section

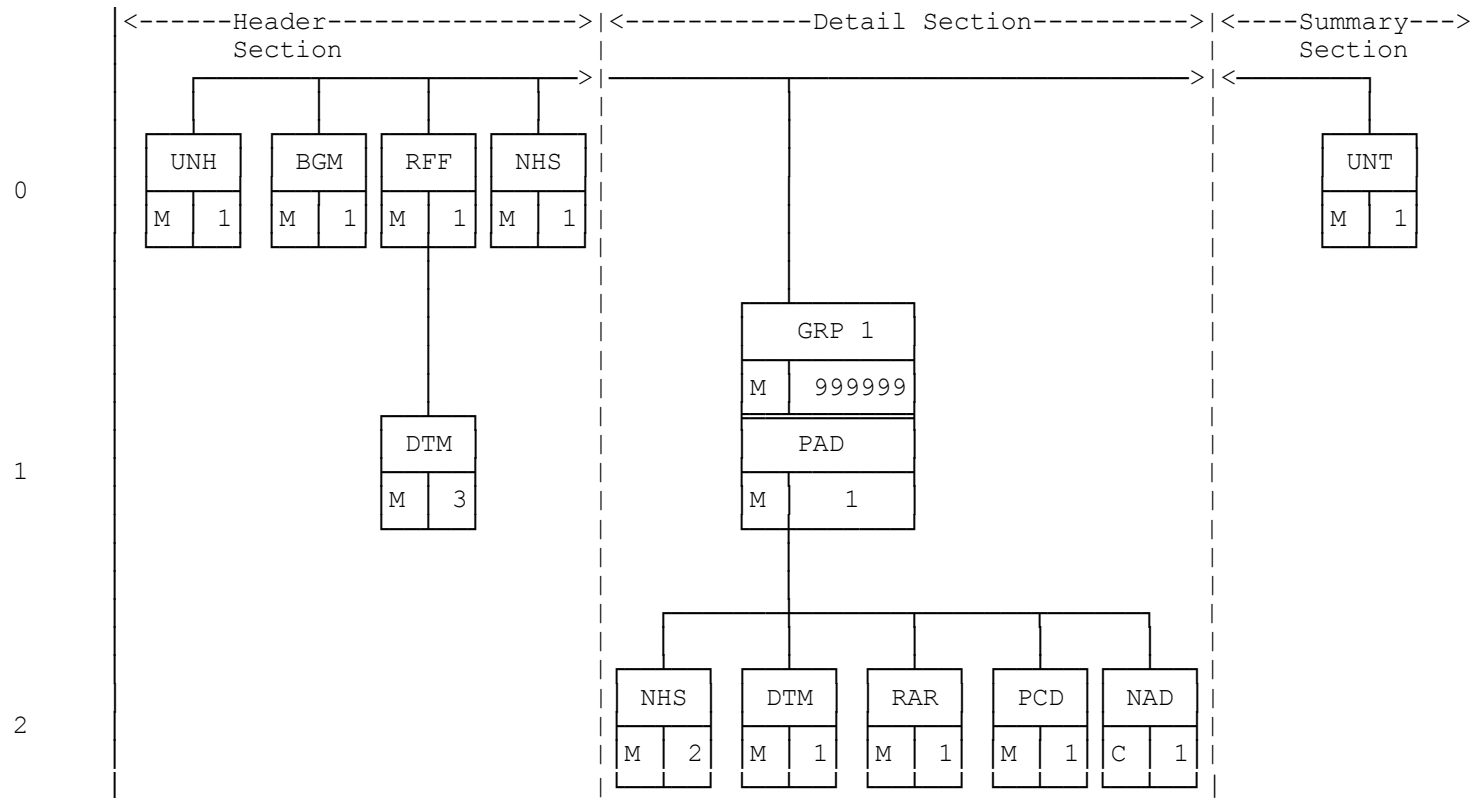
UNT, Message trailer

A service segment ending in a message, giving the total number of segments in the message and the control reference number of the message .

## 5.2 Message structure

### 5.2.1 Branching diagram

LEVEL



## 5.2.2 Segment table

<b>UNH</b> Message Header	M	1	
<b>BGM</b> References Reference to Transaction type, job code, transmission date and time.	M	1	
<b>RFF</b> Reference File reference	M	1	
<b>DTM</b> Date/Time/Period	M	3	
<b>+NHS</b> National Health Body	M	1	
Segment Group 1-----	M		-----
			999999
<b>+PAD</b> Patient Details Patient NHS number,name and date of birth			
<b>+NHS</b> National Health body Cytology laboratory and GP coded details	M	2	
<b>DTM</b> Date/Time/Period Date of test	M	1	
<b>+RAR</b> Result and Recall Result code and recall information	M	1	
<b>+PCD</b> Patient Cytology Details Cytology information relevant to the patient	M	1	
<b>NAD</b> Name and Address Patient address	C	1	-----
<b>UNT</b> Message trailer	M	1	

## **6. Directories**

### **6.1 Data segment index (Alphabetic sequence)**

The following list of segments without any sign in front are included in the 90.2 directory. Segments with a "+" mark additions specified in the message design.

BGM	BEGINNING OF MESSAGE
DTM	DATE/TIME/PERIOD
NAD	NAME AND ADDRESS
+NHS	HEALTH BODY
+PAD	PATIENT DETAILS
+PCD	PATIENT CYTOLOGY DETAILS
+RAR	RESULT AND RECALL
RFF	REFERENCES
UNH	MESSAGE HEADER
UNT	MESSAGE TRAILER

#### **6.1.1 Data segment definitions**

The full definitions of the segments are to be found in UNTDID part 5, chapter 3, UN/EDIFACT Data Segment Directory (EDSD).

## BGM BEGINNING OF MESSAGE

Function: To indicate the beginning of a message and to transmit message type and job code.

C002	DOCUMENT/MESSAGE NAME	C	
1001	Document/message name, coded	C	an..3
1131	Code list qualifier	C	an..3
3055	Code list responsible agency, coded	C	an..3
4774	Textual equivalent of the associated coded representation	C	an..35
1004	DOCUMENT/MESSAGE NUMBER - Job code = 003	C	an..35
C507	DATE/TIME/PERIOD	C	
2005	Date/time/period qualifier - 243 = Transmission of document date	M	an..3
2782	Date/time/period - Relevant date	M	an..35
2781	Date/time/period format qualifier - 306 = CCYYMMDDHHMM	M	an..3
C = Century, Y = Year, M = Month, D = Day H = Hour, M = Minute			
1225	MESSAGE FUNCTION, CODED - 62 = Cytology Laboratory Results Transfer	Can..3	
C506	REFERENCE	C	
1153	Reference qualifier	M	an..3
1154	Reference number	C	an..35
1156	Line number	C	an..6
C507	DATE/TIME/PERIOD	C	
2005	Date/time/period qualifier	M	an..3
2782	Date/time/period	M	an..35
2781	Date/time/period format qualifier	M	n..3
4343	RESPONSE TYPE, CODED	C	an..3

## DTM DATE/TIME/PERIOD

Function: To specify a date, time , period.

To provide details for various dates within cytology.

C507	DATE/TIME/PERIOD	M	
2005	Date/time/period qualifier	M	an..3
	- 829 = Start date of range of smear tests on file		
	- 830 = End date of range of smear tests on file		
	- 831 = Run date, date of transfer		
	- 832 = Date of test		
2782	Date/time/period	M	an..35
	- Relevant date		
2781	Date/time/period format qualifier	M	an..3
	- 102 = CCYYMMDD		

C = Century, Y = Year, M = Month, D = Day

## NAD NAME AND ADDRESS

Function: To specify the name/address and their related function.

To provide the address details of a patient.

3035	PARTY QUALIFIER - HP = Health patient	M	an..3
C082	PARTY IDENTIFICATION DETAILS	C	
3039	Party Id identification	M	an..17
1131	Code list qualifier	C	an..3
3055	Code list responsible agency, coded	C	an..3
4774	Textual equivalent of the associated coded representation	C	an..35
C058	NAME AND ADDRESS	C	
3124	Name and address line - Address information <sup>1</sup>	C	an..35
3124	Name and address line - Address information <sup>1</sup>	C	an..35
3124	Name and address line	C	an..35
3124	Name and address line	C	an..35
3124	Name and address line	C	an..35
C080	PARTY NAME	C	
3036	Party name	M	an..35
3036	Party name	C	an..35
3036	Party name	C	an..35
C059	STREET	C	
3042	Street and number/P.O Box	M	an..35
3042	Street and number/P.O Box	C	an..35
3042	Street and number/P.O Box	C	an..35
3164	CITY NAME	C	an..35
3229	COUNTRY SUB-ENTITY IDENTIFICATION	C	an..9
3251	POSTCODE IDENTIFICATION	C	an..9
3207	COUNTRY, CODED	C	an..3



Notes: 1. The first Name and Address Line should contain the address up to the first 35 characters. The second Name and Address Line should contain the remainder of the address. The address will be truncated to the first 60 characters on receipt at the FHSA.

## +NHS HEALTH BODY

Function: To identify a body within a Health organisation and a Medical General Practitioner.

C082	PARTY IDENTIFICATION DETAILS	C	
3039	Party Id identification	M	an..17
	- Laboratory code		
	- Source of smear, coded		
	- Sender code		
1131	Code list qualifier	C	an..3
	- 837 = Cytology Laboratory code		
	- 838 = Source of smear		
	- 839 = Sender code		
3055	Code list responsible agency, coded	C	an..3
4774	Textual equivalent of the associated coded representation	C	an..35

C082	PARTY IDENTIFICATION DETAILS	C	
3039	Party Id identification	M	an..17
	- GP code allocated by FHSA,		
1131	Code list qualifier	C	an..3
	- 814 = GP local code: local code allocated by FHSA		
3055	Code list responsible agency, coded	C	an..3
	- 202 Local FHSA		
4774	Textual equivalent of the associated coded representation	C	an..35

NOTE The source of smear, coded, is the source of the smear as shown on the HMR101/5 form.

The laboratory code is sent within the header section NHS segment.

The sender code is the code for the individual responsible for sending the smear to the Pathology Laboratory.

The first repetition of the NHS segment within the detail section should contain the source of smear code within the first composite and the GP code, if being sent, in the second composite. The second repetition of the NHS segment within the detail section should contain the sender code within the first composite.

## +PAD PATIENT DETAILS

Function: To identify a patient by a coded information scheme, together with structured name and birth details.

C930	PATIENT IDENTIFICATION	C	
3806	Patient identification, coded	M	an..17
	- NHS number, current		
1131	Code list qualifier	C	an..3
	- 801 = patient number: National NHS allocated		
3055	Code list responsible agency, coded	C	an..3
C930	PATIENT IDENTIFICATION	C	
3806	Patient identification, coded	M	an..17
	- NHS number, extra characters <sup>1</sup>		
1131	Code list qualifier	C	an..3
	- 860 = NHS number extra characters		
3055	Code list responsible agency, coded	C	an..3
C930	PATIENT IDENTIFICATION	C	
3806	Patient identification, coded	M	an..17
1131	Code list qualifier	C	an..3
3055	Code list responsible agency, coded	C	an..3
3802	PATIENT FAMILY NAME	C	an..35
	- Patient surname		
3804	PATIENT PREVIOUS FAMILY NAME	C	an..35
	- Patient previous surname		
C946	PATIENT FORENAME	C	
3820	Patient calling name	C	an..22
3818	Patient forename	C	an..22
	- patient forename		
3818	Patient forename	C	an..22
	- patient forename		
3818	Patient forename	C	an..22
	- patient forename		
3818	Patient forename	C	an..22
	- patient forename		

C956	PATIENT PREVIOUS FORENAME	C	
3820	Patient calling name	C	an..22
3818	Patient forename	C	an..22
3818	Patient forename	C	an..22
3818	Patient forename	C	an..22
3818	Patient forename	C	an..22
3824	PATIENT NAME TITLE	C	an..10
C936	PATIENT DETAILS	C	
9801	Sex	C	n1
9803	Ethnic origin	C	an..10
6008	Height	C	n..15
6150	Weight	C	n..15
C507	DATE/TIME/PERIOD	C	
2005	Date/Time/Period qualifier - 800 = exact date of birth	M	an..3
2782	Date/Time/Period - patient birth date	M	an..35
2781	Date/Time/Period format qualifier - 911 = DDMMCCYY	M	an..3

C = Century, Y = Year, M = Month, D = Day

C517	LOCATION IDENTIFICATION	C	
3227	Place/Location qualifier	M	an..3
3225	Place/Location, coded	C	an..25
1131	Code list qualifier	C	an..3
3055	Code list responsible agency, coded	C	an..3
4774	Textual equivalent of the associated coded representation	C	an..35
3439	Sub-location identification	C	an..17
3225	Place/Location, coded	C	an..25
1131	Code list qualifier	C	an..3
3055	Code list responsible agency, coded	C	an..3
4774	Textual equivalent of the associated coded representation	C	an..35

Notes: 1. NHS number from 15th character to end. Used for numbers assigned in Scotland and Northern Ireland.

## +PCD PATIENT CYTOLOGY DETAILS

Function: To specify patient specific cytology information.

C958	SLIDE NUMBER	C	
1131	Code list qualifier - 840 = Cytology test slide details	M	an..3
9525	Slide number - slide number	M	an..35
9526	Slide number format	C	an..10
3055	Code list responsible agency, coded	C	an..3
9527	NUMBER OF BIRTHS - number of births	C	n..2
9528	NUMBER OF ABORTIONS - number of abortions	C	n..2
C959	CORRESPONDENCE	C	
9529	Correspondence, coded - correspondence	M	an..3
1131	Code list qualifier - 841 = Cytology correspondence details	C	an..3
3055	Code list responsible agency, coded	C	an..3
C960	INFECTION	C	
9530	Infection, coded - infection code	M	an..3
1131	Code list qualifier - 842 = cytology patient infection details	C	an..3
3055	Code list responsible agency, coded	C	an..3
4774	Textual equivalent of the associated coded representation	C	an..35

9531 HYSTERECTOMY MARKER C an..3  
- hysterectomy marker

NOTE The correspondence marker can either be 'Y', 'N' or null.

The hysterectomy marker can be 'P' (Partial), 'C' (Complete) or null.

## +RAR RESULT AND RECALL

Function: To specify test result and recall information for a given patient.

C961	TEST RESULT	C	
9532	Result, coded	M	an..3
	- test result		
1131	Code list qualifier	C	an..3
	- 843 = cytology test result		
3055	Code list responsible agency, coded	C	an..3
C951	RECALL STATUS	C	
9518	Call/Recall, coded	M	an..3
	- action code		
1131	Code list qualifier	C	an..3
	- 864 = standard action codes		
3055	Code list responsible agency, coded	C	an..3
4774	Textual equivalent of the associated coded representation	C	an..35
C507	DATE/TIME/PERIOD	C	
2005	Date/Time/Period qualifier	M	an..3
	- 834 = Number of months to recall		
2782	Date/Time/Period	M	an..35
	- Number of months		
2781	Date/Time/Period format	M	an..3
	- 912 = 99		

NOTE The test result is the result of the smear test as shown on form HMR101/5.

## **RFF REFERENCE**

Function: To specify the identifying number associated with transaction.

To reference a file containing the relevant cytology data.

C506	REFERENCE	M	
1153	Reference qualifier - CSF = Cytology Results File reference	M	an..3
1154	Reference number - Results file reference number	C	an..35
1156	Line number	C	an..6
C507	DATE/TIME/PERIOD	C	
2005	Date/time/period qualifier	M	an..3
2782	Date/time/period	M	an..35
2781	Date/time/period format qualifier	M	an..3



## UNH MESSAGE HEADER

Function: To head, identify and specify a message.

0062	MESSAGE REFERENCE NUMBER - message reference number	M	an..14
S009	MESSAGE IDENTIFIER	M	
0065	Message type identifier - CYTFH	M	an..6
0052	Message type version number - 0	M	an..3
0054	Message type release number - 2	M	an..3
0051	Controlling agency - FH	M	an..2
0057	Association assigned code	C	an..6
0068	COMMON ACCESS REFERENCE	C	an..35
S010	STATUS OF THE TRANSFER	C	
0070	Sequence message transfer number	M	n..2
0073	First/last sequence message transfer identification	C	a1

## UNT MESSAGE TRAILER

Function: To end and check the completeness of a message.

0074	NUMBER OF SEGMENTS IN A MESSAGE - segments in message	M	n..6
0062	MESSAGE REFERENCE NUMBER - message reference number	M	an..14

## 6.2 Composite data element index (Alphanumeric sequence)

This following list of composite data elements without any sign in front are included in the 90.2 directory. Segments with a "+" mark additions to the latest TRIAL directory.

C002	DOCUMENT/MESSAGE NAME
C058	NAME AND ADDRESS
C059	STREET
C080	PARTY NAME
C082	PARTY IDENTIFICATION DETAILS
C506	REFERENCE
C507	DATE/TIME/PERIOD
C517	LOCATION IDENTIFICATION
+C930	PATIENT IDENTIFICATION
+C936	PATIENT DETAILS
+C946	PATIENT FORENAMES
+C951	CALL/RECALL STATUS
+C956	PATIENT PREVIOUS FORENAMES
+C958	SLIDE NUMBER
+C959	CORRESPONDENCE
+C960	INFECTION
+C961	TEST RESULT
S009	MESSAGE IDENTIFIER
S010	STATUS OF TRANSFER

### 6.2.1 Composite data element definitions

The full definitions of the composite data elements are to be found in UNTDID part 5, chapter 3, UN/EDIFACT Data Segment Directory (EDCD).

#### **C002 DOCUMENT/MESSAGE NAME**

Function: Identification of a type of document/message by code or name. Code preferred.

1001	Document/message name, coded	C	an..3
1131	Code list qualifier	C	an..3
3055	Code list responsible agency, coded	C	an..3
4774	Textual equivalent of the associated coded representation	C	an..35

## **C058 NAME AND ADDRESS**

Function: Unstructured name and address: one to five lines.

3124	Name and address line	M	an..35
3124	Name and address line	C	an..35
3124	Name and address line	C	an..35
3124	Name and address line	C	an..35
3124	Name and address line	C	an..35

## **C059 STREET**

Function: Street address and/or PO Box number in a structured address: one to three lines.

3042	Street and number/PO Box	M	an..35
3042	Street and number/PO Box	C	an..35
3042	Street and number/PO Box	C	an..35

## **C080 PARTY NAME**

Function: Identification of a transaction party by name, one to three lines.

3036	Party name	M	an..35
3036	Party name	C	an..35
3036	Party name	C	an..35

## **C082 PARTY IDENTIFICATION DETAILS**

Function: Identification of a transaction party by code.

3039	Party Id identification	M	an..17
1131	Code list qualifier	C	an..3
3055	Code list responsible agency, coded	C	an..3
4774	Textual equivalent of the associated coded representation	C	an..35

## C506 REFERENCES

Function: Identification of a reference.

1153	Reference qualifier	M	an..3
1154	Reference number	C	an..35
1156	Line number	C	an..6

## C507DATE/TIME/PERIOD

Function: Date and/or time relevant to the specified date/time type.

2005	Date/time/period qualifier	M	an..3
2782	Date/time/period	M	an..35
2781	Date/time/period format qualifier	M	an..3

## C517 LOCATION IDENTIFICATION

Function: Identification of a location by code or name and sub-location where relevant. Code preferred.

3227	Place/location qualifier	M	an..3
3225	Place/location identification	C	an..25
1131	Code list qualifier	C	an..3
3055	Code list responsible agency, coded	C	an..3
4774	Textual equivalent of the associated coded representation	C	an..35
3439	Sub-location identification	C	an..17
1131	Code list qualifier	C	an..3
3055	Code list responsible agency, coded	C	an..3
4774	Textual equivalent of the associated coded representation	C	an..35

## +C930 PATIENT IDENTIFICATION

Function: Patient identification and further patient details.

3806	Patient identification, coded	M	an..17
1131	Code list qualifier	C	an..3
3055	Code list responsible agency, coded	C	an..3

### **+C936 PATIENT DETAILS**

Function: Identify further patient details.

9801	Sex	C	a1
9803	Ethnic origin	C	an..10
6008	Height	C	n..15
6150	Weight	C	n..15

### **+C946 PATIENT FORENAME**

Function: To identify patient forename(s) and calling name.

3820	Patient calling name	C	an..22
3818	Patient forename	C	an..22
3818	Patient forename	C	an..22
3818	Patient forename	C	an..22
3818	Patient forename	C	an..22

### **+C951 CALL/RECALL STATUS**

Function: Any patient recall required resulting from test.

9518	Call/Recall, coded	M	an..3
1131	Code list qualifier	C	an..3
3055	Code list responsible agency, coded	C	an..3
4774	Textual equivalent of the associated coded representation	C	an..35

### **C956 PATIENT PREVIOUS FORENAME**

Function: To identify a patients previous forename(s).

3820	Patient calling name	C	an..22
3818	Patient forename	C	an..22
3818	Patient forename	C	an..22
3818	Patient forename	C	an..22
3818	Patient forename	C	an..22

### **+C958 SLIDE NUMBER**

Function: To identify a laboratory slide number.

1131	Code list qualifier	M	an..3
9525	Slide number	M	an..35
9526	Slide number format	M	an..10
3055	Code list responsible agency, coded	C	an..3

### **+C959 CORRESPONDENCE**

Function: Who or what body receives correspondence regarding the test.

9529	Correspondence, coded	M	an..3
1131	Code list qualifier	C	an..3
3055	Code list responsible agency, coded	C	n..3

### **+C960 INFECTION**

Function: To specify any patient infections.

9530	Infection, coded	M	an..3
1131	Code list qualifier	C	an..3
3055	Code list responsible agency, coded	C	an..3
4774	Textual equivalent of the associated coded representation	C	an..35

### **+C961 TEST RESULT**

Function: Test result information.

9532	Result, coded	M	an..3
1131	Code list qualifier	C	an..3
3055	Code list responsible agency, coded	C	an..3

## **S009 MESSAGE IDENTIFIER**

Function: Identification of the type, version etc. of the message being interchanged.

0065	Message type identifier	M	an..6
0052	Message type version number	M	an..3
0054	Message type release number	M	an..3
0051	Controlling agency	M	an..2
0057	Association assigned code	C	an..6

## **S010 STATUS OF TRANSFER**

Function: Statement that the message is one in a sequence of transfers relating to the same topic.

0070	Sequence message transfer number	M	n..2
0073	First/last sequence message transfer identification	C	a1



### 6.3 Data element index (Numeric sequence)

This following list of data elements without any sign in front are included in the 90.2 directory. Segments with a "+" mark additions to the 90.2 directory.

0051	CONTROLLING AGENCY
0052	MESSAGE TYPE VERSION NUMBER
0054	MESSAGE TYPE RELEASE NUMBER
0057	ASSOCIATION ASSIGNED CODE
0062	MESSAGE REFERENCE NUMBER
0065	MESSAGE TYPE IDENTIFIER
0068	COMMON ACCESS REFERENCE
0070	SEQUENCE MESSAGE TRANSFER NUMBER
0073	FIRST/LAST SEQUENCE MESSAGE TRANSFER INDICATION
0074	NUMBER OF SEGMENTS IN A MESSAGE
1001	DOCUMENT/MESSAGE NAME, CODED
1004	DOCUMENT/MESSAGE NUMBER
1131	CODE LIST QUALIFIER
1153	REFERENCE QUALIFIER
1154	REFERENCE NUMBER
1156	LINE NUMBER
1225	MESSAGE FUNCTION, CODED
2005	DATE/TIME/PERIOD QUALIFIER
2781	DATE/TIME/PERIOD FORMAT QUALIFIER
2782	DATE/TIME/PERIOD
3035	PARTY QUALIFIER
3036	PARTY NAME
3039	PARTY ID IDENTIFICATION
3042	STREET AND NUMBER/PO BOX
3055	CODE LIST RESPONSIBLE AGENCY, CODED
3124	NAME AND ADDRESS
3164	CITY NAME
3207	COUNTRY, CODED
3225	PLACE/LOCATION IDENTIFICATION
3227	PLACE/LOCATION QUALIFIER
3229	COUNTRY SUB-ENTITY IDENTIFICATION
3251	POSTCODE IDENTIFICATION
3439	SUB-LOCATION IDENTIFICATION
+3802	PATIENT FAMILY NAME
+3804	PATIENT PREVIOUS FAMILY NAME
+3806	PATIENT IDENTIFICATION, CODED
+3818	PATIENT FORENAME
+3820	PATIENT CALLING NAME
+3824	PATIENT NAME TITLE
4343	RESPONSE TYPE, CODED

4774	TEXTUAL EQUIVALENT OF THE ASSOCIATED CODED REPR.
6008	HEIGHT
+6150	WEIGHT
+9518	CALL/RECALL, CODED
+9525	SLIDE NUMBER
+9526	SLIDE NUMBER FORMAT
+9527	NUMBER OF BIRTHS
+9528	NUMBER OF ABORTIONS
+9529	CORRESPONDENCE, CODED
+9530	INFECTION, CODED
+9531	HYSTERECTOMY MARKER
+9532	RESULT, CODED
+9801	SEX
+9803	ETHNIC ORIGIN

### 6.3.1 Data element definitions

The full definitions of the data elements are to be found in UNTDID part 5, chapter 3, UN/EDIFACT Data Segment Directory (EDED).

#### 0051 CONTROLLING AGENCY

Function: Code identifying the agency controlling the specification, maintenance and publication of the message type.

Repr: an..2                      Min: 1                      Max: 2                      Datatype: id

#### 0052 MESSAGE TYPE VERSION NUMBER

Function: Version number of a message type.

Repr: an..3                      Min: 1                      Max: 3                      Datatype: an

#### 0054 MESSAGE TYPE RELEASE NUMBER

Function: Message type release number.

Repr: an..3                      Min: 1                      Max: 3                      Datatype: an

#### 0057 ASSOCIATION ASSIGNED CODE

Function: Code, assigned by the association responsible for the design and maintenance of the message type concerned, which further identifies the message.

Repr: an..6                      Min: 1                      Max: 6                      Datatype: id

## **0062 MESSAGE REFERENCE NUMBER**

Function: Unique message reference assigned by the sender.  
Repr: an..14            Min: 1            Max: 14            Datatype: an

## **0065 MESSAGE TYPE IDENTIFIER**

Function: Code identifying a type of message and assigned by its controlling agency.  
Repr: an..6            Min: 1            Max: 6            Datatype: id

## **0068 COMMON ACCESS REFERENCE**

Function: Reference serving as a key to relate all subsequent transfers of data to the same business case or file.  
Repr: an..35            Min: 1            Max: 35            Datatype: an

## **0070 SEQUENCE MESSAGE TRANSFER NUMBER**

Function: Number assigned by the sender indicating that the message is an addition or change of a previously sent message relating to the same topic.  
Repr: n..2            Min: 1            Max: 2            Datatype: n

## **0073 FIRST/LAST SEQUENCE MESSAGE TRANSFER INDICATION**

Function: Indication used for the first and last message in a sequence of the same type of message relating to the same topic.  
Repr: a1            Min: 1            Max: 1            Datatype: id

## **0074 NUMBER OF SEGMENTS IN A MESSAGE**

Function: Control count of number of segments in a message.  
Repr: n..6            Min: 1            Max: 6            Datatype: n

## **1001 DOCUMENT/MESSAGE NAME, CODED**

Function: Document identifier expressed in code.  
Repr: an..3            Min: 1            Max: 3            Datatype: id

## **1004 DOCUMENT/MESSAGE NUMBER**

Function: Reference number assigned to the document by the issuer.  
Repr: an..35            Min: 1            Max: 35            Datatype: an

### **1131 CODE LIST QUALIFIER**

Function: Identification of a code list.  
Repr: an..3                      Min: 1                      Max: 3                      Datatype: id

### **1153 REFERENCE QUALIFIER**

Function: Code giving specific meaning to a reference segment or a reference number.  
Repr: an..3                      Min: 1                      Max: 3                      Datatype: id

### **1154 REFERENCE NUMBER**

Function: Identification number the nature and function of which can be qualified by  
and entry in data element 1153 Reference qualifier.  
Repr: an..35                      Min: 1                      Max: 35                      Datatype: an

### **1156 LINE NUMBER**

Function: Number of the line in the document /message referenced in 1154 Reference  
number. In this message it is used to define a Job type.  
Repr: an..6                      Min: 1                      Max: 6                      Datatype: an

### **1225 MESSAGE FUNCTION, CODED**

Function: Code indicating the function of the message.  
Repr: an..3                      Min: 1                      Max: 3                      Datatype: id

### **2005 DATE/TIME/PERIOD QUALIFIER**

Function: Code giving specific meaning to a date, time or period.  
Repr: an..3                      Min: 1                      Max: 3                      Datatype: id

### **2781 DATE/TIME/PERIOD FORMAT QUALIFIER**

Function: Specification of the representation of a date, time or period.  
Repr: an..3                      Min: 1                      Max: 3                      Datatype: an

### **2782 DATE/TIME/PERIOD**

Function: The value of a date, a date and time, a time or of a period in a specified  
representation.  
Repr: an..35                      Min: 1                      Max: 35                      Datatype: an

### **3035 PARTY QUALIFIER**

Function: Code giving specific meaning to a party.  
Repr: an..3 Min: 1 Max: 3 Datatype: id

### **3036 PARTY NAME**

Function: Name of a party involved in a transaction.  
Repr: an..35 Min: 1 Max: 35 Datatype: an

### **3039 PARTY ID IDENTIFICATION**

Function: Code identifying a party involved in a transaction.  
Repr: an..17 Min: 1 Max: 17 Datatype: id

### **3042 STREET AND NUMBER/PO BOX**

Function: Street and number in plain language, or Post Office Box number.  
Repr: an..35 Min: 1 Max: 35 Datatype: an

### **3055 CODE LIST RESPONSIBLE AGENCY, CODED**

Function: Code identifying the agency responsible for a code list.  
Repr: an..3 Min: 1 Max: 3 Datatype: id

### **3124 NAME AND ADDRESS LINE**

Function: Free form name and address description.  
Repr: an..35 Min: 1 Max: 35 Datatype: an

### **3164 CITY NAME**

Function: Name of a city (a town, a village) for addressing purposes.  
Repr: an..35 Min: 1 Max: 35 Datatype: an

### **3207 COUNTRY, CODED**

Function: Name of a country or other geographical entity as specified in ISO 3166.  
Repr: an..3 Min: 1 Max: 3 Datatype: id

### **3225 PLACE/LOCATION IDENTIFICATION**

Function: Name of place/location, other than 3164 City name.  
Repr: an..25 Min: 1 Max: 25 Datatype: id

### **3227 PLACE/LOCATION QUALIFIER**

Function: Code identifying the function of a location.  
Repr: an..3 Min: 1 Max: 3 Datatype: id

### **3229 COUNTRY SUB-ENTITY IDENTIFICATION**

Function: Name of sub-entities (state,province) defined by appropriate governmental agencies, coded.  
Repr: an..9 Min: 1 Max: 9 Datatype: id

### **3251 POSTCODE IDENTIFICATION**

Function: Code defining postal zones or addresses.  
Repr: an..9 Min: 1 Max: 9 Datatype: id

### **3439 SUB-LOCATION IDENTIFICATION**

Function: Specification of a sub-location.  
Repr: an..17 Min: 1 Max: 17 Datatype: an

### **+3802 PATIENT FAMILY NAME**

Function: Free form patient family name.  
Repr: an..35 Min: 1 Max: 35 Datatype: an

### **+3804 PATIENT PREVIOUS FAMILY NAME**

Function: Free form patient previous name.  
Repr: an..35 Min: 1 Max: 35 Datatype: an

### **+3806 PATIENT IDENTIFICATION, CODED**

Function: Patient identification, coded.  
Repr: an..17 Min: 1 Max: 17 Datatype: id

### **+3818 PATIENT FORENAME**

Function: Free for patient forename(s).  
Repr: an..22 Min: 1 Max: 22 Datatype: an

### **+3820 PATIENT CALLING NAME**

Function: Specify a patients calling name which might be different from the patients  
forename.

Repr: an..22            Min: 1            Max: 22            Datatype: an

### **+3824 PATIENT NAME TITLE**

Function: Free form patient title.

Repr: an..10            Min: 1            Max: 10            Datatype: an

### **4343 RESPONSE TYPE, CODED**

Function: Code specifying the type of response code required.

Repr: an..3            Min: 1            Max: 3            Datatype: id

### **4774 TEXTUAL EQUIVALENT OF THE ASSOCIATED CODED REPR.**

Function: Textual description adding to or replacing corresponding coded information.

Repr: an..35            Min: 1            Max: 35            Datatype: an

### **6008 HEIGHT**

Function: The height of a given patient.

Repr: n..15            Min:1            Max:15            Datatype: n

### **+6150 WEIGHT**

Function: The weight of a given patient.

Repr: Unknown            Min: 1            Max: 15            Datatype: n

### **+9518 CALL/RECALL, CODED**

Function: A recall category resulting from a test.

Repr: an..3            Min: 1            Max: 3            Datatype: an

### **+9525 SLIDE NUMBER**

Function: To specify a laboratory test slide number.

Repr: an..35            Min: 1            Max: 35            Datatype: an

### **+9526 SLIDE NUMBER FORMAT**

Function: Identify the format of a test slide number.  
Repr: an..10            Min: 1            Max: 10            Datatype: an

**+9527 NUMBER OF BIRTHS**

Function: Number of births.  
Repr: n..2            Min: 1            Max: 2            Datatype: n

**+9528 NUMBER OF ABORTIONS**

Function: Number of abortions.  
Repr: n..2            Min: 1            Max: 2            Datatype: n

**+9529 CORRESPONDENCE, CODED**

Function: A code identifying to whom or what body any correspondence is sent.  
Repr: an..3            Min: 1            Max: 3            Datatype: id

**+9530 INFECTION, CODED**

Function: Identify any or all infections.  
Repr: an..3            Min: 1            Max: 3            Datatype: an

**+9531 HYSTERECTOMY MARKER**

Function: Status of hysterectomy (Partial or complete).  
Repr: an..3            Min: 1            Max: 3            Datatype: an

**+9532 RESULT, CODED**

Function: A code identifying the result of a test.  
Repr: an..3            Min: 1            Max:3            Datatype: an

**+9801 SEX**

Function: An index to specify the registered patients sex.  
Repr: n..1            Min: 1            Max: 1            Datatype: n

**+9803 ETHNIC ORIGIN**

Function: To identify the ethnic origin of a given patient.  
Repr: an..10            Min: 1            Max: 10            Datatype: an



## 6.4 Additions to existing code lists, new code lists

There have been a number of additions to the code lists and a creation of a new code list.

### 6.4.1 Code list additions

#### 1131 CODE LIST QUALIFIER

- 801 Patient number: National NHS allocated
- 814 GP local code: Local code allocated by FHSA.
- 837 Cytology laboratory code
- 838 Source of smear
- 839 Sender code
- 840 Cytology test slide details
- 841 Cytology correspondence details
- 842 Cytology patient infection details
- 843 Cytology test result
- 844 Cytology patient recall status
- 860 NHS number extra characters

#### 1225 MESSAGE FUNCTION, CODED

- 62 Cytology laboratory results transfer

#### 1153 REFERENCE QUALIFIER

- CSF Cytology results file reference

#### 2005 DATE/TIME/PERIOD QUALIFIER

- 800 Exact date of birth
- 829 Start date of range of smear tests on file
- 830 End date of range of smear tests on file
- 831 Run date, date of transfer
- 832 Date of test
- 834 Number of months to recall

#### 2781 DATE/TIME/PERIOD FORMAT QUALIFIER

- 306 CCYYMMDDHHMM
- 911 DDMMCCYY
- 912 99

**3035 PARTY QUALIFIER**

HP Health patient

**3055 CODE LIST RESPONSIBLE AGENCY, CODED**

202 Local FHSA

**6.4.2 New Code Lists**

**838 SOURCE OF SMEAR**

- 1 GP
- 2 NHS Community Clinic
- 3 GUM Clinic
- 4 NHS Hospital
- 5 Private
- 6 Other

**842 CYTOLOGY PATIENT INFECTION DETAILS**

- 1 Trichomonas
- 2 Candida
- 3 Wart virus
- 4 Herpes
- 5 Actinomyces
- 6 Other
- 7 Several infections identified

**843 CYTOLOGY TEST RESULT**

- 1 Inadequate specimen
- 2 Negative
- 3 Mild dyskaryosis
- 4 Severe dyskaryosis
- 5 Severe dyskaryosis / ? invasive carcinoma
- 6 ? Glandular neoplasia
- 7 Moderate dyskaryosis
- 8 Borderline changes

## 864 STANDARD ACTION CODES

- A Negative result, recall required
- B Negative result but infection, treat and recall
- C Negative result but first smear
- D Negative result, recall in 'v' months
- E Negative recall, recall required earlier than normal
- F Negative result, lab will handle result letters
- G Routine recall for woman released from Suspend / medical follow up
- H Recall date should not be changed from previous recall date
- I Smear classed as inadequate, require another smear and FHSA to handle recall process
- J Smear classed as inadequate, require another smear and lab to handle recall process
- K For newly registered women whose smear was classed as inadequate and lab was handling recall.
- L Unallocated
- M Unallocated
- N Unallocated
- O Unallocated
- P Woman not on recall, used for women formerly coded as Q
- Q Woman not on recall and lab are handling follow-up
- R Woman requires an early repeat smear not as part of the routine recall and the FHSA is required to handle the recall process.
- S Woman suspended from recall
- T Unallocated
- U Unallocated
- V Unallocated
- W Unallocated
- X Woman requires an early repeat smear and lab will handle the recall process
- Y For newly registered women requiring an early repeat smear who are formerly coded as X at previous FHSA
- Z Remove women from a future recall

## 7. Example of Cytology message

The following example is of a cytology message (CYTFH) sent from a Laboratory (CYT3) to an FHSA (FHS1).

```
UNB+UNOA:2+CYT3+FHS1+930610:1400+00000010++CYTFH+++EDIFACT TRANSFER'  
UNH+00000011+CYTFH:0:2:FH'  
BGM++003+243:199306101822:306+62'  
RFF+CSF:12345'  
DTM+829:19930505:102'  
DTM+830:19930530:102'  
DTM+831:19930610:102'  
NHS+A:837'  
PAD+ABCDE1:801+++PAGE+JONES+:JANE:ELIZABETH++++800:01011954:911'  
NHS+1:838+12345:814:202'  
NHS+SND:839'  
DTM+832:19930510:102'  
RAR+3:843+C:864+834:5:912'  
PCD+840:12345678+1+1+Y:841+7:842+P'  
NAD+HP++42 GRANGE ROAD, EXETER'  
UNT+15+00000011'  
UNZ+1+00000010'
```



***EDIFACT MESSAGE  
IMPLEMENTATION GUIDELINES  
FHSDOW:0:1:FH:FHS001***

***Version Number: 0  
Issue Date: 15th February 1996***

Message Type : FHSDOW  
Version : 0  
Release : 1  
Controlling Agency : FH  
Assoc Assigned Code : FHS001

© Crown Copyright 2016

NHS Digital  
Hexagon House  
P.O. Box 78  
Pynes Hill  
Rydon Lane  
Exeter  
EX2 5SE

Telephone:

Exeter (01392) 78315  
Fax (01392) 410417

*AMENDMENT HISTORY*

<u>Version:</u>	<u>Date Issued:</u>	<u>Brief Summary of Change:</u>	<u>Owner's Signature:</u>
0	15.02.96	First published version	

This is a Controlled Document. On receipt of a new version, destroy all previous versions.

## **CONTENTS**

- 1 Introduction
  
- 2 Scope
  - 2.1 Functional definition
  - 2.2 Field of application
  - 2.3 Principles
  
- 3 References
  
- 4 Terms and definitions
  
- 5 Message structure
  - 5.1 Data segment clarification
  - 5.2 Branching diagram
  - 5.3 Segment table
  
- 6 Message definition
  - 6.1 Format and notation
    - 6.1.1 Format
    - 6.1.2 Notation
  - 6.2 Segment implementation guidelines
  
- 7 EDIFACT reference directory
  - 7.1 Formal definition of composites
  - 7.2 Formal definition of data elements
  - 7.3 Data element code values

## **1 Introduction**

This document defines the guidelines for the implementation of the EDIFACT message FHSDOW:0:1:FH:FHS001. The message is to be used for downloading general cervical screening details and clinical cervical screening details about patients from an FHSA to a GP.

## **2 Scope**

### **2.1 Functional definition**

This message is sent from FHSAs to GPs.

### **2.2 Field of application**

This message may be applied nationally for all FHSAs and GPs with EDIFACT capability.

### **2.3 Principles**

The overall structure of this message implementation:

Each occurrence of segment group 1 represents a single download record  
A download record holds either GP information or patient information  
There can be more than 1 download record for each GP and patient.

## **3 References**

See UNTDID, Part 4, Section 2.5, UN/ECE UNSM General Introduction, Section 1.

## **4 Terms and definitions**

See UNTDID, Part 4, Section 2.5, UN/ECE UNSM General Introduction, Section 2.



## 5 Message structure

### 5.1 Data segment clarification

This section should be read in conjunction with the branching diagram and segment table which indicate mandatory, conditional and repeating requirements.

All segments, composites and data elements (except those marked as additions) are taken from the UN/EDIFACT D.93A directory.

#### **UNH Message header**

A service segment starting and uniquely identifying a message. The message type code for this message is FHSDOW:0:1:FH:FHS001.

#### **BGM Beginning of message**

A segment for identification of the message use.

#### **NAD Name and address**

A segment for specifying the sender and recipient of the message being transferred.

#### **DTM Date/time/period**

A segment identifying the date/time of the message generation.

#### **\*QTY Quantity**

A segment used to specify the total number of patients.

#### **Segment Group 1: S01-RFF-NAD-LOC-FTX-SG2-SG3**

A group of segments providing either GP or patient download data.

##### **+S01 Trigger Segment SG1**

Trigger(initial) segment for segment group number 1 in a message.

##### **RFF Reference**

A segment identifying the download record type.

##### **NAD Name and address**

A segment identifying various health bodies depending on record type.

##### **LOC Place/location identification**

A segment identifying patient place of birth.

##### **FTX Free text**

A segment specifying free text depending on record type.

#### **Segment Group 2: S02-PNA-NAD**

A group of segments identifying the patient (name, address etc.)

##### **+S02 Trigger segment SG2**

Trigger (initial) segment for segment group number 2 in a message.

##### **+PNA Person Name**

A segment identifying the patient by specifying NHS number and various name details.

**NAD            Name and address**  
A segment identifying the patient's address details.

**Segment Group 3:    S03-TST-EPI-DTM-HEA-QTY**  
A group of segments conveying either recall information for a GP partnership, or general and clinical screening details about a patient.

**+S03            Trigger segment SG3**  
Trigger (initial) segment for segment group number 3 in a message.

**+TST Test results**  
A segment containing screening test result and slide number.

**+EPI            Episode status**  
A segment containing recall information.

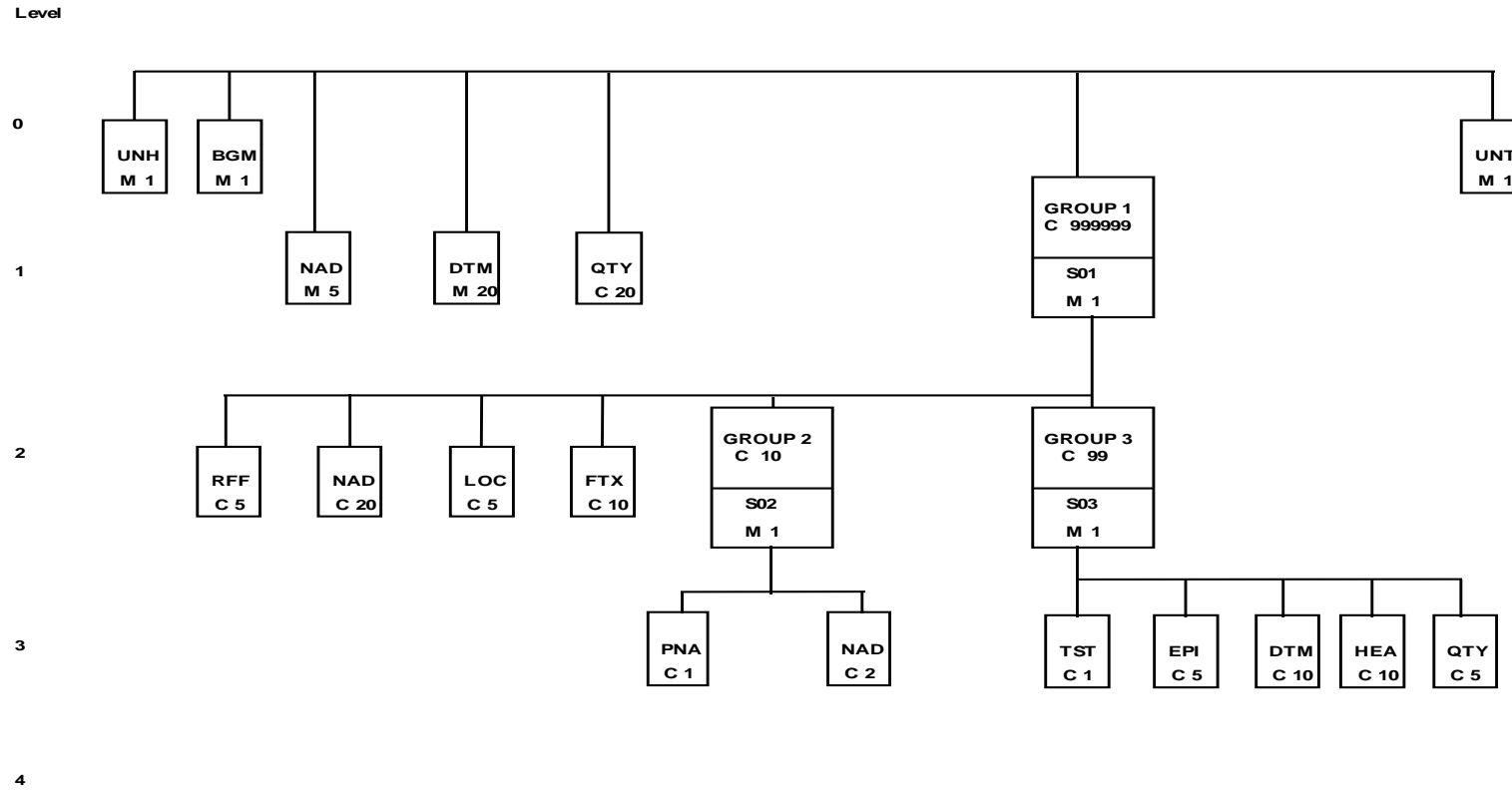
**DTM            Date/time/period**  
A segment containing various dates depending on record type.

**+HEA            Health information**  
A segment containing various items of screening information depending on record type.

**\*QTY            Quantity**  
A segment containing various quantities depending on record type.

**UNT            Message trailer**  
A service segment ending a message, giving the total number of segments in the message and the control reference number of the message.

## 5.2 Branching diagram



### 5.3 Segment table

<b>UNH</b>	Message header	<b>M</b>	<b>1</b>
<b>BGM</b>	Beginning of message	<b>M</b>	<b>1</b>
<b>NAD</b>	Name and address	<b>M</b>	<b>5</b>
<b>DTM</b>	Date/time/period	<b>M</b>	<b>20</b>
<b>*QTY</b>	Quantity	<b>C</b>	<b>20</b>
Segment Group 1		<b>C</b>	<b>999999</b>
<b>+S01</b>	Trigger segment SG1	<b>M</b>	<b>1</b>
<b>RFF</b>	Reference	<b>C</b>	<b>5</b>
<b>NAD</b>	Name and address	<b>C</b>	<b>20</b>
<b>LOC</b>	Place/location identification	<b>C</b>	<b>5</b>
<b>FTX</b>	Free text	<b>C</b>	<b>10</b>
Segment Group 2		<b>C</b>	<b>10</b>
<b>+S02</b>	Trigger segment SG2	<b>M</b>	<b>1</b>
<b>+PNA</b>	Person name	<b>C</b>	<b>1</b>
<b>NAD</b>	Name and address	<b>C</b>	<b>2</b>
Segment Group 3		<b>C</b>	<b>99</b>
<b>+S03</b>	Trigger segment SG3	<b>M</b>	<b>1</b>
<b>+TST</b>	Test results	<b>C</b>	<b>1</b>
<b>+EPI</b>	Episode status	<b>C</b>	<b>5</b>
<b>DTM</b>	Date/time/period	<b>C</b>	<b>10</b>
<b>+HEA</b>	Health	<b>C</b>	<b>10</b>
<b>*QTY</b>	Quantity	<b>C</b>	<b>5</b>
<b>UNT</b>	Message trailer	<b>M</b>	<b>1</b>

## 6 Message definition

### 6.1 Format and Notation

#### 6.1.1 Format

The format of each segment page follows the structure defined below:

- a) Segment tag and segment name.
- b) General function of the segment.
- c) Usage of the segment, indicating whether the segment is mandatory or conditional (see 6.1.2 Notation).
- d) Comments on the usage of the segment, including any dependency rules for the segment.
- e) A table for the segment, containing the following columns:

**No** - The data element or composite number within the segment

**Data element** - The name of the data element or composite

**Usage** - Usage of the data element (see 6.1.2 Notation) and an indication of the number of repetitions

**Repr.** - Representation of the data element, indicating whether the data element may be alphabetic only, numeric only or alphanumeric and indicating the maximum length of the data or its fixed length

**Value/Description/Dependency rules** - *Italic text* describes the data to be used for that data element, normal text is used to list possible code values for the data element, and underlined text indicates dependency rules for the data element.

Before the definition of each segment group there is a segment group initial page. This identifies the segments within the segment group and the function, usage and comments on usage in the same way as defined above for each segment.

If a segment has more than a single usage, a segment initial page is included to list the maximum number of repetitions and all usages of the segment. Following this there is a separate page defining each use of the segment.

### 6.1.2 Notation

The following usage indicators are used for segments, segment groups, data elements and composites :

<b>M (Mandatory)</b>	Mandatory in the message definition, must be mandatory in this Message Implementation Guidelines (MIG).
<b>R (Required)</b>	Conditional in the message definition, use is required in this MIG.
<b>A (Advised)</b>	Conditional in the message definition, use is recommended in this MIG.
<b>D (Dependent)</b>	Conditional in the message definition, use is dependent in this MIG under certain conditions which will be described.
<b>O (Optional)</b>	Conditional in the message definition, use is optional in this MIG.
<b>N (Not used)</b>	Conditional in the message definition, should not be used in this MIG.

"+" in front of a segment tag, composite, data element or code value indicates that this is a new item and not found within the EDIFACT D.93A directory.

"\*" in front of a segment tag, composite, data element or code value indicates that this is a modified item compared with the item found within the EDIFACT D.93A directory.

Within the DTM Date/time/period segment, the values of the codes for Date/time/period qualifier represent the following (the difference between Month and Minute being easily recognised in context):

CC	=	Century
YY	=	Year
MM	=	Month
DD	=	Day
HH	=	Hour
MM	=	Minute
SS	=	Second

**6.2 Segment implementation guidelines****UNH MESSAGE HEADER**

Function: To head, identify and specify a message.

Usage: Mandatory, 1 repetition.

Comments:

No	Data Element	Usage	Repr.	Value/Description/Dependency rules
0062	MESSAGE REFERENCE NUMBER	M	an..14	
S009	MESSAGE IDENTIFIER	M		<i>Sender's unique message reference.</i>
0065	Message type	M	an..6	<i>Identification of the type of message being transmitted.</i> "FHSDOW" = Download
0052	Message version number	M	an..3	<i>Identification of the version number of the message.</i> "0" = Version number of the message.
0054	Message release number	M	an..3	<i>Identification of the release number of the message type within the current version.</i> "1" = Release number within the current version number.
0051	Controlling Agency	M	an..2	<i>Identification of the agency controlling the specification, maintenance and publication of the message type.</i> "FH" = FHSCU
0057	Association assigned code	R	an..6	<i>A code identifying the Message Implementation Guidelines for the message type.</i> "FHS001" = Cervical Screening Download
0068	COMMON ACCESS REFERENCE	N	an..35	
S010	STATUS OF THE TRANSFER	N		
0070	Sequence of transfers	N	n..2	
0073	First and last transfer	N	a1	

**BGM BEGINNING OF MESSAGE**

Function: To identify the datatype.

Usage: Mandatory, 1 repetition.

Comments: This segment is used to provide a code for the message which indicates its use.

No	Data Element	Usage	Repr.	Value/Description/Dependency rules
C002	DOCUMENT/MESSAGE NAME	N		
1001	Document/message name, coded	N	an..3	
1131	Code list qualifier	N	an..3	
3055	Code list responsible agency, coded	N	an..3	
1000	Document/message name	N	an..35	
1004	DOCUMENT/MESSAGE NUMBER	N	an..35	
1225	MESSAGE FUNCTION, CODED	R	an..3	<i>Identification data type of the message.</i> +"10" = FHSA/GP - Cervical Screening Download
4343	RESPONSE TYPE, CODED	N	an..3	



**NAD            NAME AND ADDRESS**

**Function:**    To identify the sender and/or recipient of the message, and other relevant parties.

**Usage:**        2 repetitions.

**Comments:**    There are 2 usages of this segment: 1 to provide the code of the FHSA that is sending the message and 1 to provide the GP partnership code of the GP receiving the message.

**NAD NAME AND ADDRESS**

Function: To identify the sender and/or recipient of the message, and other relevant parties.

Usage: Mandatory, 1 repetition.

Comments: This repetition is used to provide the code of the FHSA that is sending the message.

No	Data Element	Usage	Repr.	Value/Description/Dependency rules
3035	PARTY QUALIFIER	M	an..3	<i>Code for type of healthcare party</i> +"FHS" = FHSA
C082	PARTY IDENTIFICATION DETAILS	R		
3039	Party id identification	M	an..17	<i>Cipher of the sending FHSA</i>
1131	Code list qualifier	R	an..3	<i>Code list specifying the healthcare registration identification</i> +"954" = FHSA
3055	Code list responsible agency, coded	N	an..3	
C058	NAME AND ADDRESS	N		
3124	Name and address line	N	an..35	
3124	Name and address line	N	an..35	
3124	Name and address line	N	an..35	
3124	Name and address line	N	an..35	
3124	Name and address line	N	an..35	
C080	PARTY NAME	N		
3036	Party name	N	an..35	
3036	Party name	N	an..35	
3036	Party name	N	an..35	
3036	Party name	N	an..35	
3036	Party name	N	an..35	
3045	Party name format, coded	N	an..3	
C059	STREET	N		
3042	Street and number/P.O. Box	N	an..35	
3042	Street and number/P.O. Box	N	an..35	
3042	Street and number/P.O. Box	N	an..35	
3164	CITY NAME	N	an..35	
3229	COUNTRY SUB-ENTITY IDENTIFICATION	N	an..9	
3251	POSTCODE IDENTIFICATION	N	an..9	
3207	COUNTRY, CODED	N	an..3	

**NAD NAME AND ADDRESS**

Function: To identify the sender and/or recipient of the message, and other relevant parties.

Usage: Mandatory, 1 repetition.

Comments: This repetition is used to provide the partnership code of the GP that is receiving the message.

No	Data Element	Usage	Repr.	Value/Description/Dependency rules
3035	PARTY QUALIFIER	M	an..3	<i>Code for type of healthcare party</i> +"GP" = GP
C082	PARTY IDENTIFICATION DETAILS	R		
3039	Party id identification	M	an..17	<i>GP code of the GP partnership</i>
1131	Code list qualifier	R	an..3	<i>Code list specifying the healthcare registration identification</i> +"900" = National GP code
3055	Code list responsible agency, coded	N	an..3	
C058	NAME AND ADDRESS	N		
3124	Name and address line	N	an..35	
3124	Name and address line	N	an..35	
3124	Name and address line	N	an..35	
3124	Name and address line	N	an..35	
3124	Name and address line	N	an..35	
C080	PARTY NAME	N		
3036	Party name	N	an..35	
3036	Party name	N	an..35	
3036	Party name	N	an..35	
3036	Party name	N	an..35	
3036	Party name	N	an..35	
3045	Party name format, coded	N	an..3	
C059	STREET	N		
3042	Street and number/P.O. Box	N	an..35	
3042	Street and number/P.O. Box	N	an..35	
3042	Street and number/P.O. Box	N	an..35	
3164	CITY NAME	N	an..35	
3229	COUNTRY SUB-ENTITY IDENTIFICATION	N	an..9	
3251	POSTCODE IDENTIFICATION	N	an..9	
3207	COUNTRY, CODED	N	an..3	

**DTM            DATE/TIME/PERIOD**

Function:        To identify date/time of translation.

Usage:            Mandatory, 1 repetition.

Comments:        This segment is used to provide the date and time that the message was translated.

No	Data Element	Usage	Repr.	Value/Description/Dependency rules
C507	DATE/TIME/PERIOD	M		
2005	Date/time/period qualifier	M	an..3	<i>Code for type of date/time</i> "137" = Document/message date/time
2380	Date/time/period	R	an..35	<i>Date and time the message was translated</i>
2379	Date/time/period format qualifier	R	an..3	<i>Code for format of date/time</i> "203" = CCYYMMDDHHMM

**\*QTY QUANTITY**

Function: To specify amounts related to preventative health.

Usage: Required, 1 repetition.

Comments: This segment is used to provide the total number of patient details being transferred.

No	Data Element	Usage	Repr.	Value/Description/Dependency rules
*C186	QUANTITY DETAILS	M		
6063	Quantity qualifier	M	an..3	<i>Code identifying the quantity</i> +"953" = Number of patients
*6060	Quantity	M	an..15	<i>Total number of patient details being transferred</i>
+C848	MEASUREMENT UNIT DETAILS	N		
*6411	Measurement unit identification	N	an..17	
1131	Code list qualifier	N	an..3	
3055	Code list responsible agency, coded	N	an..3	
+6410	Measurement unit	N	an..35	

**Segment Group 1:S01-RFF-NAD-LOC-FTX-SG2-SG3**

- Function:** To provide preventative health information related to a party.
- Usage:** 1-999999 repetitions.
- Comments:** Each occurrence of this group represents a single download record.

**+S01 TRIGGER SEGMENT SG1**

Function: Trigger segment for segment group number 1 in a message.

Usage: Mandatory.

Comments:

No	Data Element	Usage	Repr.	Value/Description/Dependency rules
+C851	SEGMENT GROUP USAGE DETAILS	R		
+9811	Segment group usage, coded	R	an..3	<i>Code to indicate usage of the segment</i> +"1" = Segment group 1
1131	Code list qualifier	N	an..3	
3055	Code list responsible agency, coded	N	an..3	
+9810	Segment group usage	N	an..70	

**RFF REFERENCE**

Function: To specify references related to preventative health.

Usage: Required, 1 repetition.

Comments: This segment is used to provide the download record type.

No	Data Element	Usage	Repr.	Value/Description/Dependency rules
C506	REFERENCE	M		
1153	Reference qualifier	M	an..3	<i>Code identifying type of reference</i> +"959" = Transaction/record/file type
1154	Reference number	R	an..35	<i>Alpha character specifying download record type</i> "C" = Patient cytology record "G" = GP record "I" = Patient identity record "N" = Patient notes record "P" = GP practice record "R" = Result code expansion "T" = Patient test record
1156	Line number	N	an..6	
4000	Reference version number	N	an..35	



**NAD            NAME AND ADDRESS**

**Function:**    To identify relevant parties.

**Usage:**        0-2 repetitions.

**Comments:**    There are 4 possible usages of this segment depending on the record type as follows :

GP details for record types "R", "G" and "I"  
Sender details for record type "T"  
Laboratory details for record type "T"  
GP partnership details for record type "P".

**NAD NAME AND ADDRESS**

Function: To identify relevant parties.

Usage: Dependent, 0-1 repetitions.

Comments: This repetition may be used to carry the GP details for record types "R"- result code expansion record, "G"-GP record and "T"- patient identity record.

Not used for record types "C", "N", "P" and "T".

No	Data Element	Usage	Repr.	Value/Description/Dependency rules
3035	PARTY QUALIFIER	M	an..3	<i>Code for type of healthcare party</i> +"GP" = Current GP
C082	PARTY IDENTIFICATION DETAILS	R		
3039	Party id identification	M	an..17	<i>GP code</i>
1131	Code list qualifier	R	an..3	<i>Code list specifying the healthcare registration identification</i> +"900" = National GP code
3055	Code list responsible agency, coded	N	an..3	
C058	NAME AND ADDRESS	N		
3124	Name and address line	N	an..35	
3124	Name and address line	N	an..35	
3124	Name and address line	N	an..35	
3124	Name and address line	N	an..35	
3124	Name and address line	N	an..35	
C080	PARTY NAME	D		<u>GP name can only be present for record type "G"</u>
3036	Party name	M	an..35	<i>GP name</i>
3036	Party name	N	an..35	
3036	Party name	N	an..35	
3036	Party name	N	an..35	
3036	Party name	N	an..35	
3045	Party name format, coded	N	an..3	
C059	STREET	N		
3042	Street and number/P.O. Box	N	an..35	
3042	Street and number/P.O. Box	N	an..35	
3042	Street and number/P.O. Box	N	an..35	
3164	CITY NAME	N	an..35	
3229	COUNTRY SUB-ENTITY IDENTIFICATION	N	an..9	

3251	POSTCODE IDENTIFICATION	N	an..9	
3207	COUNTRY, CODED	N	an..3	

**NAD NAME AND ADDRESS**

Function: To identify relevant parties.

Usage: Dependent, 0-1 repetitions.

Comments: This repetition may be used to carry the Sender details for record type "T"-patient test record.

Not used for record types "C", "G", "I", "N", "P" and "R".

No	Data Element	Usage	Repr.	Value/Description/Dependency rules
3035	PARTY QUALIFIER	M	an..3	<i>Code for type of healthcare party</i> +"SND" = Sender of test
C082	PARTY IDENTIFICATION DETAILS	R		
3039	Party id identification	M	an..17	<i>Sender code</i>
1131	Code list qualifier	R	an..3	<i>Code list specifying the healthcare registration identification</i> "ZZZ" = Mutually defined
3055	Code list responsible agency, coded	N	an..3	
C058	NAME AND ADDRESS	N		
3124	Name and address line	N	an..35	
3124	Name and address line	N	an..35	
3124	Name and address line	N	an..35	
3124	Name and address line	N	an..35	
3124	Name and address line	N	an..35	
C080	PARTY NAME	N		
3036	Party name	N	an..35	
3036	Party name	N	an..35	
3036	Party name	N	an..35	
3036	Party name	N	an..35	
3036	Party name	N	an..35	
3045	Party name format, coded	N	an..3	
C059	STREET	N		
3042	Street and number/P.O. Box	N	an..35	
3042	Street and number/P.O. Box	N	an..35	
3042	Street and number/P.O. Box	N	an..35	
3164	CITY NAME	N	an..35	
3229	COUNTRY SUB-ENTITY IDENTIFICATION	N	an..9	

3251	POSTCODE IDENTIFICATION	N	an..9	
3207	COUNTRY, CODED	N	an..3	

**NAD NAME AND ADDRESS**

Function: To identify relevant parties.

Usage: Dependent, 0-1 repetitions.

Comments: This repetition may be used to carry the Laboratory details for record type "T"-patient test record.  
Not used for record types "C", "G", "I", "N", "P" and "R".

No	Data Element	Usage	Repr.	Value/Description/Dependency rules
3035	PARTY QUALIFIER	M	an..3	<i>Code for type of healthcare party</i> +"PTH" = Pathology laboratory
C082	PARTY IDENTIFICATION DETAILS	R		
3039	Party id identification	M	an..17	<i>Laboratory code</i>
1131	Code list qualifier	R	an..3	<i>Code list specifying the healthcare registration identification</i> +"959" = Pathology Laboratory National Code
3055	Code list responsible agency, coded	N	an..3	
C058	NAME AND ADDRESS	N		
3124	Name and address line	N	an..35	
3124	Name and address line	N	an..35	
3124	Name and address line	N	an..35	
3124	Name and address line	N	an..35	
3124	Name and address line	N	an..35	
C080	PARTY NAME	N		
3036	Party name	N	an..35	
3036	Party name	N	an..35	
3036	Party name	N	an..35	
3036	Party name	N	an..35	
3036	Party name	N	an..35	
3045	Party name format, coded	N	an..3	
C059	STREET	N		
3042	Street and number/P.O. Box	N	an..35	
3042	Street and number/P.O. Box	N	an..35	
3042	Street and number/P.O. Box	N	an..35	
3164	CITY NAME	N	an..35	
3229	COUNTRY SUB-ENTITY IDENTIFICATION	N	an..9	

3251	POSTCODE IDENTIFICATION	N	an..9	
3207	COUNTRY, CODED	N	an..3	

**NAD NAME AND ADDRESS**

Function: To identify relevant parties.

Usage: Dependent, 0-1 repetitions.

Comments: This repetition may be used to carry the GP partnership details for record type "P"-GP practice.  
Not used for record types "C", "G", "I", "N", "T" and "R".

No	Data Element	Usage	Repr.	Value/Description/Dependency rules
3035	PARTY QUALIFIER	M	an..3	<i>Code for type of healthcare party</i> +"GPP" = GP Partnership
C082	PARTY IDENTIFICATION DETAILS	O		
3039	Party id identification	M	an..17	<i>GP partnership code</i>
1131	Code list qualifier	R	an..3	<i>Code list specifying the healthcare registration identification</i> +"900" = National GP code
3055	Code list responsible agency, coded	N	an..3	
C058	NAME AND ADDRESS	O		
3124	Name and address line	M	an..35	<i>GP partnership address line 1</i> +"?" = This composite is present without address line 1
3124	Name and address line	O	an..35	<i>GP partnership address line 2</i>
3124	Name and address line	O	an..35	<i>GP partnership address line 3</i>
3124	Name and address line	O	an..35	<i>GP partnership address line 4</i>
3124	Name and address line	N	an..35	
C080	PARTY NAME	O		
3036	Party name	M	an..35	<i>GP partnership name</i>
3036	Party name	N	an..35	
3036	Party name	N	an..35	
3036	Party name	N	an..35	
3036	Party name	N	an..35	
3045	Party name format, coded	N	an..3	
C059	STREET	N		
3042	Street and number/P.O. Box	N	an..35	
3042	Street and number/P.O. Box	N	an..35	
3042	Street and number/P.O. Box	N	an..35	
3164	CITY NAME	N	an..35	
3229	COUNTRY SUB-ENTITY	N	an..9	



	IDENTIFICATION			
3251	POSTCODE IDENTIFICATION	N	an..9	
3207	COUNTRY, CODED	N	an..3	

**LOC PLACE/LOCATION IDENTIFICATION**

Function: To specify relevant places/locations.

Usage: Dependent, 0-1 repetitions.

Comments: This segment may be to carry the patient place of birth for record type "T"-patient identity record.  
Not used for record types "C", "G", "T", "N", "P" and "R".

No	Data Element	Usage	Repr.	Value/Description/Dependency rules
3227	PLACE/LOCATION QUALIFIER	M	an..3	Code identifying type of place +"950" = Place of birth
C517	LOCATION IDENTIFICATION	R		Patient place of birth
3225	Place/location identification	R	an..25	
1131	Code list qualifier	N	an..3	
3055	Code list responsible agency, coded	N	an..3	
3224	Place/location	N	an..17	
C519	RELATED LOCATION ONE IDENTIFICATION	N		
3223	Related place/location one identification	N	an..25	
1131	Code list qualifier	N	an..3	
3055	Code list responsible agency, coded	N	an..3	
3222	Related place/location one	N	an..70	
C553	RELATED LOCATION TWO IDENTIFICATION	N		
3233	Related place/location two identification	N	an..25	
1131	Code list qualifier	N	an..3	
3055	Code list responsible agency, coded	N	an..3	
3232	Relatec place/location two	N	an..70	
5479	RELATION, CODED	N	an..3	

**FTX**            **FREE TEXT**

Function:        To specify free text.

Usage:            0-2 repetitions.

Comments:        There are 4 different usages of this segment depending on the record type as follows:

Comments for record types "C" and "T"  
Patient's notes for record type "N"  
GP free text for record type "N".

**FTX**      **FREE TEXT**

Function: To specify free text.

Usage: Dependent, 0-1 repetitions.

Comments: This repetition may be used to carry the Comments for record types "C"-patient cytology record and "T"-patient test record.

Not used for record types "G", "T", "N", "P" and "R".

No	Data Element	Usage	Repr.	Value/Description/Dependency rules
4451	TEXT SUBJECT QUALIFIER	M	an..3	<i>Code identifying the type of text</i> +"COM" = General comments
4453	TEXT FUNCTION, CODED	N	an..3	
C107	TEXT REFERENCE	N		
4441	Free text, coded	N	an..3	
1131	Code list qualifier	N	an..3	
3055	Code list responsible agency, coded	N	an..3	
C108	TEXT LITERAL	R		
4440	Free text	M	an..70	<i>Comment line 1</i>
4440	Free text	O	an..70	<u>Comment line 2 can only be present for record type "T"</u> <i>Comment line 2</i>
4440	Free text	O	an..70	<u>Comment line 3 can only be present for record type "T"</u> <i>Comment line 3</i>
4440	Free text	N	an..70	
4440	Free text	N	an..70	
3453	LANGUAGE, CODED	N	an..3	

**FTX            FREE TEXT**

Function:        To specify free text.

Usage:            Dependent, 0-1 repetitions.

Comments:        This repetition may be used to carry patient’s notes for record type “N”-patient notes record.  
                       Not used for record types “C”, “G”, “I”, “T”, “P” and “R”.

No	Data Element	Usage	Repr.	Value/Description/Dependency rules
4451	TEXT SUBJECT QUALIFIER	M	an..3	<i>Code identifying the type of text</i> +”PTN” = Patient notes
4453	TEXT FUNCTION, CODED	N	an..3	
C107	TEXT REFERENCE	N		
4441	Free text, coded	N	an..3	
1131	Code list qualifier	N	an..3	
3055	Code list responsible agency, coded	N	an..3	
C108	TEXT LITERAL	R		
4440	Free text	M	an..70	<i>Notes line 1</i>
4440	Free text	O	an..70	<i>Notes line 2</i>
4440	Free text	O	an..70	<i>Notes line 3</i>
4440	Free text	N	an..70	
4440	Free text	N	an..70	
3453	LANGUAGE, CODED	N	an..3	

**FTX            FREE TEXT**

Function:        To specify free text.

Usage:            Dependent, 0-1 repetitions.

Comments:        This repetition may be used to carry GP free text for record type “N”-patient notes record.  
                       Not used for record types “C”, “G”, “I”, “T”, “P” and “R”.

No	Data Element	Usage	Repr.	Value/Description/Dependency rules
4451	TEXT SUBJECT QUALIFIER	M	an..3	<i>Code identifying the type of text</i> +”GFT” = GP free text
4453	TEXT FUNCTION, CODED	N	an..3	
C107	TEXT REFERENCE	N		
4441	Free text, coded	N	an..3	
1131	Code list qualifier	N	an..3	
3055	Code list responsible agency, coded	N	an..3	
C108	TEXT LITERAL	R		
4440	Free text	M	an..70	<i>First 70 characters of GP free text</i>
4440	Free text	O	an..70	<i>Remaining characters of GP free text</i>
4440	Free text	N	an..70	
4440	Free text	N	an..70	
4440	Free text	N	an..70	
3453	LANGUAGE, CODED	N	an..3	

**Segment Group 2: S02-PNA-NAD**

**Function:** To provide personal information about patients.

**Usage:** 0-1 repetition.

**Comments:** This segment group holds patient personal details.

It will be present for record types "I"-patient identity record, "C"-patient cytology record, "T"-patient test record and "N"-patient notes record.

Not used for record types "G", "P" and "R".

**+S02 TRIGGER SEGMENT SG2**

Function: Trigger segment for segment group number 2 in a message.

Usage: Mandatory.

Comments:

No	Data Element	Usage	Repr.	Value/Description/Dependency rules
+C851	SEGMENT GROUP USAGE DETAILS	R		
+9811	Segment group usage, coded	R	an..3	<i>Code to indicate usage of the segment</i> +"2" = Segment group 2
1131	Code list qualifier	N	an..3	
3055	Code list responsible agency, coded	N	an..3	
+9810	Segment group usage	N	an..70	



**+PNA PERSON NAME**

Function: To specify information necessary to establish the identity of the patient.

Usage: Required, 1 repetition.

Comments: This repetition is used to carry the patient's NHS number and other current details for record types "I"-patient identity record, "C"-patient cytology record, "N"-patient notes record and "T"-patient test record.

No	Data Element	Usage	Repr.	Value/Description/Dependency rules
3035	PARTY QUALIFIER	M	an..3	<i>Code identifying the party</i> "PAT" = Patient
C206	IDENTIFICATION NUMBER	R		
7402	Identity number	M	an..35	<i>NHS number</i>
7405	Identity number qualifier	R	an..3	+ "OPI" = Official patient identification
+3797	NAME TYPE, CODED	N	an..3	
+3799	NAME STATUS, CODED	N	an..3	
+C816	NAME COMPONENT DETAILS	D		<u>Must be present for record type "I", otherwise not used</u>
+3835	Name component qualifier	M	an..3	<i>Code for type of name component</i> + "SU" = Family name
+3836	Name component	R	an..70	<i>Patient surname</i>
+3839	Name component status, coded	N	an..3	
+3841	Name component original representation, coded	N	an..3	
+C816	NAME COMPONENT DETAILS	D		<u>Can only be present for record type "I"</u>
+3835	Name component qualifier	M	an..3	<i>Code for type of name component</i> + "FO" = First given name
+3836	Name component	R	an..70	<i>Patient 1st forename</i>
+3839	Name component status, coded	N	an..3	
+3841	Name component original representation, coded	N	an..3	
+C816	NAME COMPONENT DETAILS	D		<u>Can only be present for record type "I"</u>
+3835	Name component qualifier	M	an..3	<i>Code for type of name component</i> + "MI" = Middle name
+3836	Name component	R	an..70	<i>Patient other forename</i>
+3839	Name component status, coded	N	an..3	
+3841	Name component original representation, coded	N	an..3	
+C816	NAME COMPONENT DETAILS	N		

+3835	Name component qualifier	N	an..3	
+3836	Name component	N	an..70	
+3839	Name component status, coded	N	an..3	
+3841	Name component original representation, coded	N	an..3	
+C816	NAME COMPONENT DETAILS	N		
+3835	Name component qualifier	N	an..3	
+3836	Name component	N	an..70	
+3839	Name component status, coded	N	an..3	
+3841	Name component original representation, coded	N	an..3	

**NAD NAME AND ADDRESS**

Function: To specify the address of the patient.

Usage: Dependent, 0-1 repetitions.

Comments: This segment may be used to carry the patient address for record type "I"-patient identity record.

Not used for record types "C", "T" and "N".

No	Data Element	Usage	Repr.	Value/Description/Dependency rules
3035	PARTY QUALIFIER	M	an..3	<i>Code for type of party</i> +"PAT" = Patient
C082	PARTY IDENTIFICATION DETAILS	N		
3039	Party id identification	N	an..17	
1131	Code list qualifier	N	an..3	
3055	Code list responsible agency, coded	N	an..3	
C058	NAME AND ADDRESS	R		
3124	Name and address line	M	an..35	<i>Patient address line 1</i>
3124	Name and address line	N	an..35	
3124	Name and address line	N	an..35	
3124	Name and address line	N	an..35	
3124	Name and address line	N	an..35	
C080	PARTY NAME	N		
3036	Party name	N	an..35	
3036	Party name	N	an..35	
3036	Party name	N	an..35	
3036	Party name	N	an..35	
3036	Party name	N	an..35	
3045	Party name format, coded	N	an..3	
C059	STREET	N		
3042	Street and number/P.O. Box	N	an..35	
3042	Street and number/P.O. Box	N	an..35	
3042	Street and number/P.O. Box	N	an..35	
3164	CITY NAME	N	an..35	
3229	COUNTRY SUB-ENTITY IDENTIFICATION	N	an..9	
3251	POSTCODE IDENTIFICATION	N	an..9	
3207	COUNTRY, CODED	N	an..3	

**Segment Group 3: S03-TST-EPI-DTM-HEA-QTY**

**Function:** To provide current health information.

**Usage:** 0-1 repetitions.

**Comments:** This segment group carries either result code expansion information for a GP partnership or screening information for a single patient.

It may be present for record types “R” -result code expansion, “C” -patient cytology record, “T”-patient test record and “N” -patient notes record.

Not used for record types “G”, “I” and “P”.

**+S03 TRIGGER SEGMENT SG3**

Function: Trigger segment for segment group number 3 in a message.

Usage: Mandatory.

Comments:

No	Data Element	Usage	Repr.	Value/Description/Dependency rules
+C851	SEGMENT GROUP USAGE DETAILS	R		
+9811	Segment group usage, coded	R	an..3	<i>Code to indicate usage of the segment</i> +"3" = Segment group 3
1131	Code list qualifier	N	an..3	
3055	Code list responsible agency, coded	N	an..3	
+9810	Segment group usage	N	an..70	

**+TST TEST RESULTS**

Function: To specify test results.

Usage: Dependent, 0-1 repetitions.

Comments: This repetition may be used to carry the test result for record types "R"-result code expansion record, "C"-patient cytology record and "T"-patient test record.

Not used for record type "N".

No	Data Element	Usage	Repr.	Value/Description/Dependency rules
+9520	TEST RESULTS QUALIFIER	M	an..3	<i>Code for type of test</i> +"SMT" = Smear test
+C975	TEST RESULT	D		<u>Can only be present for record types "R" and "T"</u>
+9511	Test result, coded	M	an..3	<i>Test result code</i>
1131	Code list qualifier	R	an..3	<i>Code list specifying the test result code</i> "ZZZ" = Mutually defined
3055	Code list responsible agency, coded	N	an..3	
+C976	SAMPLE IDENTIFIER	D		<u>Can only be present for record type "T"</u>
+9513	Sample type qualifier	M	an..3	<i>Code for type of sample</i> +"SNO" = Slide number
+9514	Sample identification	M	an..17	<i>Laboratory slide number</i>
+C977	TEST INFORMATION	N		
+9515	Test, coded	N	an..3	
1131	Code list qualifier	N	an..3	
3055	Code list responsible agency, coded	N	an..3	
+9516	Test	N	an..35	
+9512	TEST RESULT, TEXT	D	an..35	<i>Results of last 5 tests for record type "C"</i> <i>Result code expansion for record type "R"</i>

**+EPI            EPISODE STATUS**

**Function:**      To specify status of an episode.

**Usage:**         0-3 repetitions.

**Comments:**    There are 5 possible usages of this segment depending on the record type as follows :

- Default recall type for record type "R"
- Recall type for record type "C", "R" and "T"
- Recall state for record type "C"
- Recall status for record types "C" and "T".

**+EPI EPISODE STATUS**

Function: To specify status of an episode.

Usage: Dependent, 0-1 repetitions.

Comments: This repetition may be used to carry the Recall type for record types “R”-result code expansion record, “C”-patient cytology record and “T”-patient test record.

Not used for record type “N”.

No	Data Element	Usage	Repr.	Value/Description/Dependency rules
+9518	EPISODE STATUS QUALIFIER	M	an..3	<i>Code for type of status</i> +”RTP” = Recall type
+C971	STATUS	R		
+9502	Status, coded	R	an..3	<i>Recall type</i>
1131	Code list qualifier	R	an..3	<i>Code list specifying the status codes</i> “ZZZ” = Mutually defined
3055	Code list responsible agency, coded	N	an..3	
+9503	Status	N	an..35	
+C972	AUTHORISATION	N		
+9504	Authorisation, coded	N	an..3	
1131	Code list qualifier	N	an..3	
3055	Code list responsible agency, coded	N	an..3	
+9505	Authorisation	N	an..35	



**+EPI EPISODE STATUS**

Function: To specify status of an episode.

Usage: Dependent, 0-1 repetitions.

Comments: This repetition may be used to carry the default recall type for record type “R”-result code expansion record.

Not used for record types “C”, “N” and “T”.

No	Data Element	Usage	Repr.	Value/Description/Dependency rules
+9518	EPISODE STATUS QUALIFIER	M	an..3	<i>Code for type of status</i> +”DRT” = Default recall type
+C971	STATUS	R		
+9502	Status, coded	R	an..3	<i>Default recall type</i>
1131	Code list qualifier	R	an..3	<i>Code list specifying the status codes</i> “ZZZ” = Mutually defined
3055	Code list responsible agency, coded	N	an..3	
+9503	Status	N	an..35	
+C972	AUTHORISATION	N		
+9504	Authorisation, coded	N	an..3	
1131	Code list qualifier	N	an..3	
3055	Code list responsible agency, coded	N	an..3	
+9505	Authorisation	N	an..35	

**+EPI EPISODE STATUS**

Function: To specify status of an episode.

Usage: Dependent, 0-1 repetitions.

Comments: This repetition may be used to carry the Recall state for record type “C”-patient cytology record.  
 Not used for record types “T”, “N” and “R”.

No	Data Element	Usage	Repr.	Value/Description/Dependency rules
+9518	EPISODE STATUS QUALIFIER	M	an..3	<i>Code for type of status</i> +”RST” = Recall state
+C971	STATUS	R		
+9502	Status, coded	R	an..3	<i>Recall state</i>
1131	Code list qualifier	R	an..3	<i>Code list specifying the status codes</i> “ZZZ” = Mutually defined
3055	Code list responsible agency, coded	N	an..3	
+9503	Status	N	an..35	
+C972	AUTHORISATION	N		
+9504	Authorisation, coded	N	an..3	
1131	Code list qualifier	N	an..3	
3055	Code list responsible agency, coded	N	an..3	
+9505	Authorisation	N	an..35	

**+EPI EPISODE STATUS**

Function: To specify status of an episode.

Usage: Dependent, 0-1 repetitions.

Comments: This repetition may be used to carry the Recall status for record types “C”-patient cytology record and “T”-patient test record.

Not used for record types “N” and “R”.

No	Data Element	Usage	Repr.	Value/Description/Dependency rules
+9518	EPISODE STATUS QUALIFIER	M	an..3	<i>Code for type of status</i> +”CRS” = Recall status
+C971	STATUS	R		
+9502	Status, coded	R	an..3	<i>Recall status</i>
1131	Code list qualifier	R	an..3	<i>Code list specifying the status codes</i> “ZZZ” = Mutually defined
3055	Code list responsible agency, coded	N	an..3	
+9503	Status	N	an..35	
+C972	AUTHORISATION	N		
+9504	Authorisation, coded	N	an..3	
1131	Code list qualifier	N	an..3	
3055	Code list responsible agency, coded	N	an..3	
+9505	Authorisation	N	an..35	

**DTM            DATE/TIME/PERIOD**

**Function:**    To specify relevant dates.

**Usage:**        0-3 repetitions.

**Comments:**    There are 4 possible usages of this segment depending on record type as follows:

- Test date for record type "T"
- Recall date for record type "C"
- Notification date for record types "C" and "T"
- Invitation date for record types "C" and "T".

**DTM DATE/TIME/PERIOD**

Function: To specify relevant dates.

Usage: Dependent, 0-1 repetitions.

Comments: This repetition may be used to carry the Test date for record type “T”-patient test record.  
 Not used for record types “C”, “N” and “R”.

No	Data Element	Usage	Repr.	Value/Description/Dependency rules
C507	DATE/TIME/PERIOD	M		
2005	Date/time/period qualifier	M	an..3	<i>Code for type of date</i> "119" = Test performed date
2380	Date/time/period	R	an..35	<i>Test date</i>
2379	Date/time/period format qualifier	R	an..3	<i>Code for format of date</i> "102" = CCYYMMDD

**DTM      DATE/TIME/PERIOD**

Function:      To specify relevant dates.

Usage:         Dependent, 0-1 repetitions.

Comments:     This repetition may be used to carry the Recall date for record type “C”-patient cytology record.  
                   Not used for record types “T”, “N” and “R”.

No	Data Element	Usage	Repr.	Value/Description/Dependency rules
C507	DATE/TIME/PERIOD	M		
2005	Date/time/period qualifier	M	an..3	<i>Code for type of date</i> +”966” =        Date of recall
2380	Date/time/period	R	an..35	<i>Recall date</i>
2379	Date/time/period format qualifier	R	an..3	<i>Code for format of date</i> “102” =        CCYYMMDD

**DTM DATE/TIME/PERIOD**

Function: To specify relevant dates.

Usage: Dependent, 0-1 repetitions.

Comments: This repetition may be used to carry the Notification date for record types “C”-patient cytology record and “T”-patient test record.

Not used for record types “N” and “R”.

No	Data Element	Usage	Repr.	Value/Description/Dependency rules
C507	DATE/TIME/PERIOD	M		
2005	Date/time/period qualifier	M	an..3	<i>Code for type of date</i> "184" = Notification date
2380	Date/time/period	R	an..35	<i>Notification date</i>
2379	Date/time/period format qualifier	R	an..3	<i>Code for format of date</i> "102" = CCYYMMDD

**DTM DATE/TIME/PERIOD**

Function: To specify relevant dates.

Usage: Dependent, 0-1 repetitions.

Comments: This repetition may be used to carry the Invitation date for record types “C”-patient cytology record and “T”-patient test record.

Not used for record types “N” and “R”.

No	Data Element	Usage	Repr.	Value/Description/Dependency rules
C507	DATE/TIME/PERIOD	M		
2005	Date/time/period qualifier	M	an..3	<i>Code for type of date</i> +”969” = Invitation date
2380	Date/time/period	R	an..35	<i>Invitation date</i>
2379	Date/time/period format qualifier	R	an..3	<i>Code for format of date</i> “610” = CCYYMM



**+HEA HEALTH INFORMATION**

**Function:** To specify items of health information.

**Usage:** 0-4 repetitions.

**Comments:** There are 6 possible usages of this segment depending on record type as follows :

Action code for record type "T"

Source code for record type "T"

Positive/Doubtful marker for record type "C"

Excluded from target payments for record type "N"

Condition for record type "T"

Correspondence marker for record type "T".

**+HEA HEALTH INFORMATION**

Function: To specify items of health information.

Usage: Dependent, 0-1 repetitions.

Comments: This repetition may be used to carry the Action code for record type “T”-patient test record.  
Not used for record types “C”, “N” and “R”.

No	Data Element	Usage	Repr.	Value/Description/Dependency rules
+9506	HEALTH INFORMATION QUALIFIER	M	an..3	<i>Code identifying the item of health information</i> +”CAC” = Cytology action code
+C973	HEALTH INFORMATION	R		
+9507	Health information identification	R	an..10	<i>Action code</i>
1131	Code list qualifier	R	an..3	<i>Code list specifying the health information identification</i> “ZZZ” = Mutually defined
3055	Code list responsible agency, coded	N	an..3	
+9508	Health	N	an..35	

**+HEA HEALTH INFORMATION**

Function: To specify items of health information.

Usage: Dependent, 0-1 repetitions.

Comments: This repetition may be used to carry the Source code for record type "T"-patient test record.  
Not used for record types "C", "N" and "R".

No	Data Element	Usage	Repr.	Value/Description/Dependency rules
+9506	HEALTH INFORMATION QUALIFIER	M	an..3	<i>Code identifying the item of health information</i> +"SRC" = Source code
+C973	HEALTH INFORMATION	R		
+9507	Health information identification	R	an..10	<i>Source code</i>
1131	Code list qualifier	R	an..3	<i>Code list specifying the health information identification</i> "ZZZ" = Mutually defined
3055	Code list responsible agency, coded	N	an..3	
+9508	Health	N	an..35	

**+HEA HEALTH INFORMATION**

Function: To specify items of health information.

Usage: Dependent, 0-1 repetitions.

Comments: This repetition may be used to carry the Positive/doubtful marker for record type “C”-patient cytology record.

Not used for record types “T”, “N” and “R”.

No	Data Element	Usage	Repr.	Value/Description/Dependency rules
+9506	HEALTH INFORMATION QUALIFIER	M	an..3	<i>Code identifying the item of health information</i> +”PDM” = Positive/doubtful marker
+C973	HEALTH INFORMATION	R		
+9507	Health information identification	R	an..10	<i>Positive/doubtful marker</i>
1131	Code list qualifier	R	an..3	<i>Code list specifying the health information identification</i> “ZZZ” = Mutually defined
3055	Code list responsible agency, coded	N	an..3	
+9508	Health	N	an..35	

**+HEA HEALTH INFORMATION**

Function: To specify items of health information.

Usage: Dependent, 0-1 repetitions.

Comments: This repetition may be used to carry the Excluded from target payments code for record type “N”-patient notes record.

Not used for record types “C”, “T” and “R”.

No	Data Element	Usage	Repr.	Value/Description/Dependency rules
+9506	HEALTH INFORMATION QUALIFIER	M	an..3	<i>Code identifying the item of health information</i> +”ETP” = Excluded from target payments
+C973	HEALTH INFORMATION	R		
+9507	Health information identification	R	an..10	<i>Excluded from target payment code</i>
1131	Code list qualifier	R	an..3	<i>Code list specifying the health information identification</i> “ZZZ” = Mutually defined
3055	Code list responsible agency, coded	N	an..3	
+9508	Health	N	an..35	

**+HEA HEALTH INFORMATION**

Function: To specify items of health information.

Usage: Dependent, 0-1 repetitions.

Comments: This repetition may be used to carry the Condition code for record type "T"-patient test record.  
Not used for record types "C", "N" and "R".

No	Data Element	Usage	Repr.	Value/Description/Dependency rules
+9506	HEALTH INFORMATION QUALIFIER	M	an..3	<i>Code identifying the item of health information</i> +"CON" = Condition
+C973	HEALTH INFORMATION	R		
+9507	Health information identification	R	an..10	<i>Condition code</i>
1131	Code list qualifier	R	an..3	<i>Code list specifying the health information identification</i> "ZZZ" = Mutually defined
3055	Code list responsible agency, coded	N	an..3	
+9508	Health	N	an..35	

**+HEA HEALTH INFORMATION**

Function: To specify items of health information.

Usage: Dependent, 0-1 repetitions.

Comments: This repetition may be used to carry the Correspondence marker for record type “T”-patient test record.

Not used for record types “C”, “N” and “R”.

No	Data Element	Usage	Repr.	Value/Description/Dependency rules
+9506	HEALTH INFORMATION QUALIFIER	M	an..3	<i>Code identifying the item of health information</i> +”CMK” = Correspondence marker
+C973	HEALTH INFORMATION	R		
+9507	Health information identification	R	an..10	<i>Correspondence marker</i>
1131	Code list qualifier	R	an..3	<i>Code list specifying the health information identification</i> “ZZZ” = Mutually defined
3055	Code list responsible agency, coded	N	an..3	
+9508	Health	N	an..35	

**\*QTY        QUANTITY**

**Function:**     To specify amounts related to preventative health.

**Usage:**        0-4 repetitions.

**Comments:**    There are 5 possible usages of this segment depending on the record type as follows:

- Number of births for record type "T"
- Number of abortions/miscarriages for record type "T"
- Final non-responder count for record type "C"
- Time interval for record type "T"
- Repeat months for record type "T".



**\*QTY QUANTITY**

Function: To specify amounts related to preventative health.

Usage: Dependent, 0-1 repetitions.

Comments: This repetition may be used to carry the Total number of births for record type “T”-patient test record.

Not used for record types “C”, “N” and “R”.

No	Data Element	Usage	Repr.	Value/Description/Dependency rules
*C186	QUANTITY DETAILS	M		
6063	Quantity qualifier	M	an..3	<i>Code identifying the quantity</i> +”959” = Number of births
*6060	Quantity	M	an..15	<i>Total number of births for the patient</i>
+C848	MEASUREMENT UNIT DETAILS	N		
*6411	Measurement unit identification	N	an..17	
1131	Code list qualifier	N	an..3	
3055	Code list responsible agency, coded	N	an..3	
+6410	Measurement unit	N	an..35	

**\*QTY QUANTITY**

Function: To specify amounts related to preventative health.

Usage: Dependent, 0-1 repetitions.

Comments: This repetition may be used to carry the Total number of miscarriages/abortions for record type "T"-patient test record.

Not used for record types "C", "N" and "R".

No	Data Element	Usage	Repr.	Value/Description/Dependency rules
*C186	QUANTITY DETAILS	M		
6063	Quantity qualifier	M	an..3	<i>Code identifying the quantity</i> +"960" = Number of miscarriages/abortions
*6060	Quantity	M	an..15	<i>Total number of miscarriages/abortions for the patient</i>
+C848	MEASUREMENT UNIT DETAILS	N		
*6411	Measurement unit identification	N	an..17	
1131	Code list qualifier	N	an..3	
3055	Code list responsible agency, coded	N	an..3	
+6410	Measurement unit	N	an..35	

**\*QTY QUANTITY**

Function: To specify amounts related to preventative health.

Usage: Dependent, 0-1 repetitions.

Comments: This repetition may be used to carry the Final non responder count for record type “C”-patient cytology record.

Not used for record types “T” “N” and “R”.

No	Data Element	Usage	Repr.	Value/Description/Dependency rules
*C186	QUANTITY DETAILS	M		
6063	Quantity qualifier	M	an..3	<i>Code identifying the quantity</i> +”964” = Final non responder count
*6060	Quantity	M	an..15	<i>Final non responder count</i>
+C848	MEASUREMENT UNIT DETAILS	N		
*6411	Measurement unit identification	N	an..17	
1131	Code list qualifier	N	an..3	
3055	Code list responsible agency, coded	N	an..3	
+6410	Measurement unit	N	an..35	

**\*QTY QUANTITY**

Function: To specify amounts related to preventative health.

Usage: Dependent, 0-1 repetitions.

Comments: This repetition may be used to carry the Time interval between the test due and the test being carried out, for record type "T"-patient test record.

Not used for record types "C", "N" and "R".

No	Data Element	Usage	Repr.	Value/Description/Dependency rules
*C186	QUANTITY DETAILS	M		
6063	Quantity qualifier	M	an..3	<i>Code identifying the quantity</i> +"962" = Number of days
*6060	Quantity	M	an..15	<i>Time interval between the test being due and the test being carried out in days</i>
+C848	MEASUREMENT UNIT DETAILS	N		
*6411	Measurement unit identification	N	an..17	
1131	Code list qualifier	N	an..3	
3055	Code list responsible agency, coded	N	an..3	
+6410	Measurement unit	N	an..35	

**\*QTY QUANTITY**

Function: To specify amounts related to preventative health.

Usage: Dependent, 0-1 repetitions.

Comments: This repetition may be used to carry the Number of months in which to repeat the test for record type "T"-patient test record.

Not used for record types "C", "N" and "R".

No	Data Element	Usage	Repr.	Value/Description/Dependency rules
*C186	QUANTITY DETAILS	M		
6063	Quantity qualifier	M	an..3	<i>Code identifying the quantity</i> +"961" = Number of months
*6060	Quantity	M	an..15	<i>Number of months in which to repeat the test</i>
+C848	MEASUREMENT UNIT DETAILS	N		
*6411	Measurement unit identification	N	an..17	
1131	Code list qualifier	N	an..3	
3055	Code list responsible agency, coded	N	an..3	
+6410	Measurement unit	N	an..35	

**UNT MESSAGE TRAILER**

Function: To end and check the completeness of a message.

Usage: Mandatory.

Comments:

No	Data Element	Usage	Repr.	Value/Description/Dependency rules
0074	NUMBER OF SEGMENTS IN A MESSAGE	M	n..6	<i>Count of the number of segments in the message.</i>
0062	MESSAGE REFERENCE NUMBER	M	an..14	<i>Sender's unique message reference.</i>

## 7 EDIFACT Reference Directory

### 7.1 Formal definition of composites

#### Listing of composites by Tag

C002	DOCUMENT/MESSAGE NAME
C058	NAME AND ADDRESS
C059	STREET
C080	PARTY NAME
C082	PARTY IDENTIFICATION DETAILS
C107	TEXT REFERENCE
C108	TEXT LITERAL
*C186	QUANTITY DETAILS
C206	IDENTIFICATION NUMBER
C506	REFERENCE
C507	DATE/TIME/PERIOD
C517	LOCATION IDENTIFICATION
C519	RELATED LOCATION ONE IDENTIFICATION
C553	RELATED LOCATION TWO IDENTIFICATION
+C816	NAME COMPONENT DETAILS
+C848	MEASUREMENT UNIT DETAILS
+C851	SEGMENT GROUP USAGE DETAILS
+C971	STATUS
+C972	AUTHORISATION
+C973	HEALTH INFORMATION
+C975	TEST RESULT
+C976	SAMPLE IDENTIFIER
+C977	TEST INFORMATION

Composite specifications**C002 DOCUMENT/MESSAGE NAME**

Desc: Identification of a type of document/message by code or name.

1001	Document/message name,coded	C	an..3
1131	Code list qualifier	C	an..3
3055	Code list responsible agency, coded	C	an..3
1000	Document/message name	C	an..35

**C058 NAME AND ADDRESS**

Desc: Unstructured name and address: one to five lines.

3124	Name and address line	M	an..35
3124	Name and address line	C	an..35
3124	Name and address line	C	an..35
3124	Name and address line	C	an..35
3124	Name and address line	C	an..35

**C059 STREET**

Desc: Street address and/or P.O.Box number in a structured address: one to three lines.

3042	Street and number/P.O. Box	M	an..35
3042	Street and number/P.O. Box	C	an..35
3042	Street and number/P.O. Box	C	an..35

**C080 PARTY NAME**

Desc: Identification of a transaction party by name, one to five lines. Party name may be formatted.

3036	Party name	M	an..35
3036	Party name	C	an..35
3036	Party name	C	an..35
3036	Party name	C	an..35
3036	Party name	C	an..35
3045	Party name format, coded	C	an..3

**C082 PARTY IDENTIFICATION DETAILS**

Desc: Identification of a transaction party by code.

3039	Party identification	M	an..17
1131	Code list qualifier	C	an..3
3055	Code list responsible agency, coded	C	an..3

**C107 TEXT REFERENCE**

Desc: Coded reference to a standard text and its source.

4441	Free text, coded	M	an..3
1131	Code list qualifier	C	an..3
3055	Code list responsible agency, coded	C	an..3



**C108 TEXT LITERAL**

Desc: Free text: one to five lines.

4440	Free text	M	an..70
4440	Free text	C	an..70
4440	Free text	C	an..70
4440	Free text	C	an..70
4440	Free text	C	an..70

**\*C186 QUANTITY DETAILS**

Desc: Quantity information in a transaction, qualified when relevant.

6063	Quantity qualifier	M	an..3
*6060	Quantity	M	an..15

**C206 INDENTIFICATION NUMBER**

Desc: The identification of an object.

7402	Identity number	M	an..35
7405	Identity number qualifier	C	an..3

**C506 REFERENCE**

Desc: Identification of a reference.

1153	Reference qualifier	M	an..3
1154	Reference number	C	an..35
1156	Line number	C	an..6
4000	Reference version number	C	an..35

**C507 DATE/TIME/PERIOD**

Desc: Date and/or time, or period relevant to the specified date/time/period type.

2005	Date/time/period qualifier	M	an..3
2380	Date/time/period	C	an..35
2379	Date/time/period format qualifier	C	an..3

**C517 LOCATION IDENTIFICATION**

Desc: Identification of place/location

3225	Place/location identification	C	an..25
1131	Code list qualifier	C	an..3
3055	Code list responsible agency, coded	C	an..3
3224	Place/location	C	an..17

**C519 RELATED LOCATION ONE IDENTIFICATION**

Desc: Identification of related place/location one

3223	Related place/location one identification	C	an..25
1131	Code list qualifier	C	an..3
3055	Code list responsible agency, coded	C	an..3
3222	Related place/location one	C	an..70

**C553 RELATED LOCATION TWO IDENTIFICATION**

Desc: Identification of related place/location two

3233	Related place/location two identification	C	an..25
1131	Code list qualifier	C	an..3
3055	Code list responsible agency,coded	C	an..3
3232	Related place/location two	C	an..70

**+C816 NAME COMPONENT DETAILS**

Desc: To specify a name component

+3835	Name component qualifier	M	an..3
+3836	Name component	C	an..70
+3839	Name component status, coded	C	an..3
+3841	Name component original representation, coded	C	an..3

**+C848 MEASUREMENT UNIT DETAILS**

Desc: To specify a measurement unit.

*6411	Measurement unit identification	C	an..17
1131	Code list qualifier	C	an..3
3055	Code list responsible agency, coded	C	an..3
+6410	Measurement unit	C	an..35

**+C851 SEGMENT GROUP USAGE DETAILS**

Desc: To describe the actual usage of a segment group in a message.

+9811	Segment group usage, coded	C	an..3
1131	Code list qualifier	C	an..3
3055	Code list responsible agency, coded	C	an..3
+9810	Segment group usage	C	an..70

**+C971 STATUS**

Desc: To identify the status of a particular entity

+9502	Status, coded	C	an..3
1131	Code list qualifier	C	an..3
3055	Code list responsible agency, coded	C	an..3
+9503	Status	C	an..35

**+C972 AUTHORISATION**

Desc: Identify who/what authorised an action

+9504	Authorisation, coded	C	an..3
1131	Code list qualifier	C	an..3
3055	Code list responsible agency, coded	C	an..3
+9505	Authorisation	C	an..35

**+C973 HEALTH INFORMATION**

Desc: Specific health information, as identified by a qualifier.

+9507	Health information identification	C	an..10
1131	Code list qualifier	C	an..3
3055	Code list responsible agency, coded	C	an..3
+9508	Health	C	an..35

**+C975 TEST RESULT**

Desc: Identifies the result of a test.

+9511	Test result, coded	M	an..3
1131	Code list qualifier	C	an..3
3055	Code list responsible agency, coded	C	an..3

**+C976 SAMPLE IDENTIFIER**

Desc: A sample type and identification.

+9513	Sample type qualifier	M	an..3
+9514	Sample identification	M	an..17

**+C977 TEST INFORMATION**

Desc: To describe a test.

+9515	Test, coded	C	an..3
1131	Code list qualifier	C	an..3
3055	Code list responsible agency, coded	C	an..3
+9516	Test	C	an..35

## 7.2 Formal definition of data elements

### Listing of data elements by Tag

1000	Document/message name
1001	Document/message name, coded
1004	Document/message number
1131	Code list qualifier
1153	Reference qualifier
1154	Reference number
1156	Line number
1225	Message function, coded
2005	Date/time/period qualifier
2379	Date/time/period format qualifier
2380	Date/time/period
3035	Party qualifier
3036	Party name
3039	Party id identification
3042	Street and number/P.O. Box
3045	Party name format, coded
3055	Code list responsible agency, coded
3124	Name and address line
3164	City name
3207	Country, coded
3222	Related place/location one
3223	Related place/location one identification
3224	Place/location
3225	Place/location identification
3227	Place/location qualifier
3229	Country sub-entity identification
3232	Related place/location two
3233	Related place/location two identification
3251	Postcode identification
3453	Language, coded
+3797	Name type, coded
+3799	Name status, coded
+3835	Name component qualifier
+3836	Name component
+3839	Name component status, coded
+3841	Name component original representation, coded
4000	Reference version number
4343	Response type, coded
4440	Free text
4441	Free text, coded
4451	Text subject qualifier
4453	Text function, coded
5479	Relation, coded
*6060	Quantity
6063	Quantity qualifier
+6410	Measurement unit
*6411	Measurement unit identification
7402	Identity number
7405	Identity number qualifier
+9502	Status, coded
+9503	Status
+9504	Authorisation, coded
+9505	Authorisation
+9506	Health information qualifier
+9507	Health information identification

+9508 Health  
+9511 Test result, coded  
+9512 Test result, text  
+9513 Sample type qualifier  
+9514 Sample identification  
+9515 Test, coded  
+9516 Test  
+9518 Episode status qualifier  
+9520 Test results qualifier  
+9810 Segment group usage  
+9811 Segment group usage, coded

Data element specifications

- 1000 Document/message name**  
Desc: Plain language identifier specifying the function of a document/message.  
Repr: an..35
- 1001 Document/message name, coded**  
Desc: Document/message identifier expressed in code.  
Repr: an..3
- 1004 Document/message number**  
Desc: Reference number assigned to the document/message by the issuer.  
Repr: an..35
- 1131 Code list qualifier**  
Desc: Identification of a code list.  
Repr: an..3
- 1153 Reference qualifier**  
Desc: Code giving specific meaning to a reference segment or a reference number.  
Repr: an..3
- 1154 Reference number**  
Desc: Identification number the nature and function of which can be qualified by an entry in data element 1153 Reference qualifier.  
Repr: an..35
- 1156 Line number**  
Desc: Number of the line in the document/message referenced in 1154 Reference number.  
Repr: an..6
- 1225 Message function, coded**  
Desc: Code indicating the function of the message.  
Repr: an..3
- 2005 Date/time/period qualifier**  
Desc: Code giving specific meaning to a date,time or period.  
Repr: an..3
- 2379 Date/time/period format qualifier**  
Desc: Specification of the representation of a date, a date and time or of a period.  
Repr: an..3
- 2380 Date/time/period**  
Desc: The value of a date, a date and time, a time or period in a specified representation.  
Repr: an..35
- 3035 Party qualifier**  
Desc: Code giving specific meaning to a party.  
Repr: an..3
- 3036 Party name**  
Desc: Name of a party involved in a transaction.  
Repr: an..35

- 3039 Party id identification**  
Desc: Code identifying a party involved in a transaction.  
Repr: an..17
- 3042 Street and number/P.O. Box**  
Desc: Street and number in plain language, or Post Office Box number.  
Repr: an..35
- 3045 Party name format, coded**  
Desc: Specification of the representation of a party name.  
Repr: an..3
- 3055 Code list responsible agency, coded**  
Desc: Code identifying the agency responsible for a code list.  
Repr: an..3
- 3124 Name and address line**  
Desc: Free form name and address description.  
repr: an..35
- 3164 City name**  
Desc: Name of a city (a town, a village) for addressing purposes.  
Repr: an..35
- 3207 Country, coded**  
Desc: Identification of the name of a country or other geographical entity as specified.  
Repr: an..3
- 3222 Related place/location one**  
Desc: Specification of the first related place/location by name.  
Repr: an..70
- 3223 Related place/location one identification**  
Desc: Specification of the first related place/location by code.  
Repr: an..25
- 3224 Place/location**  
Desc: Name of place/location, other than 3164 City name.  
Repr: an..17
- 3225 Place/location identification**  
Desc: Identification of the name of place/location, other than 3164 City name.  
Repr: an..25
- 3227 Place/location qualifier**  
Desc: Code identifying the function of a location.  
Repr: an..3
- 3229 Country sub-entity identification**  
Desc: Identification of the name of sub-entities (state, province) defined by appropriate governmental agencies.  
Repr: an..9
- 3232 Related place/location two**  
Desc: Specification of a second related place/location by name.  
Repr: an..70

- 3233 Related place/location two identification**  
Desc: Specification of a second related place/location by code.  
Repr: an..25
- 3251 Postcode identification**  
Desc: Code defining postal zones or addresses.  
Repr: an..9
- 3453 Language, coded**  
Desc: Code of language (ISO 639-1988)  
Repr: an..3
- +3797 Name type, coded**  
Desc: Code for type of name such as official name, alias  
Repr: an..3
- +3799 Name status, coded**  
Desc: To specify the status of a name (such as current name)  
Repr: an..3
- +3835 Name component qualifier**  
Desc: To indicate a part of the name such as family name or given name.  
Repr: an..3
- +3836 Name component**  
Desc: Part of party name such as family name or given name.  
Repr: an..70
- +3839 Name component status, coded**  
Desc: To specify the status of a name component.  
Repr: an..3
- +3841 Name component original representation, coded**  
Desc: To specify the alphabet originally used to represent the name.  
Repr: an..3
- 4000 Reference version number**  
Desc: To uniquely identify a reference by its revision number.  
Repr: an..35
- 4343 Response type, coded**  
Desc: Code specifying the type of acknowledgement required.  
Repr: an..3
- 4440 Free text**  
Desc: Free text field available to the message sender for information.  
Repr: an..70
- 4441 Free text, coded**  
Desc: Free text in coded form.  
Repr: an..3
- 4451 Text subject qualifier**  
Desc: Code specifying subject of a free text.  
Repr: an..3
- 4453 Text function, coded**  
Desc: Code specifying how to handle the text.  
Repr: an..3



- 5479 Relation, coded**  
Desc: To specify the relationship between two or more items.  
Repr: an..3
- \*6060 Quantity**  
Desc: Numeric value of a quantity.  
Repr: an..15
- 6063 Quantity qualifier**  
Desc: Code giving specific meaning to a quantity.  
Repr: an..3
- +6410 Measurement unit**  
Desc: Specification of unit as free text  
Repr: an..35
- \*6411 Measurement unit identification**  
Desc: Specification of unit of measurement using code  
Repr: an..17
- 7402 Identity number**  
Desc: A value given to an object for identification purposes.  
Repr: an..35
- 7405 Identity number qualifier**  
Desc: Code specifying the type/source of the product identification number.  
Repr: an..3
- +9502 Status, coded**  
Desc: To identify the action on/status of a particular entity.  
Repr: an..3
- +9503 Status**  
Desc: Description of the status of a particular entity.  
Repr: an..35
- +9504 Authorisation, coded**  
Desc: Identify who/what authorised an action.  
Repr: an..3
- +9505 Authorisation**  
Desc: Specification of authorisation as free text.  
Repr: an..35
- +9506 Health information qualifier**  
Desc: Gives specific meaning to an item of information relating to health.  
Repr: an..3
- +9507 Health information identification**  
Desc: Item of information relating to health.  
Repr: an..10
- +9508 Health**  
Desc: Description of item relating to health.  
Repr: an..35
- +9511 Test result, coded**  
Desc: To identify the result of a test.  
Repr: an..3

- +9512 Test result, text**  
Desc: To describe the results of a test.  
Repr: an..35
- +9513 Sample type qualifier**  
Desc: Specifies the type of sample.  
Repr: an..3
- +9514 Sample identification**  
Desc: To identify a sample.  
Repr: an..17
- +9515 Test, coded**  
Desc: To identify a test.  
Repr: an..3
- +9516 Test**  
Desc: Description of a test.  
Repr: an..35
- +9518 Episode status qualifier**  
Desc: Gives specific meaning to the status of an episode.  
Repr: an..3
- +9520 Test results qualifier**  
Desc: Gives specific meaning to a test result.  
Repr: an..3
- +9810 Segment group usage**  
Desc: To describe the actual usage of a segment group in a message.  
Repr: an..70
- +9811 Segment group usage, coded**  
Desc: To specify the usage of a segment group in a message as a code.  
Repr: an..3

**7.3 Data element code values****1131 Code list qualifier**

+900 National GP  
 +954 FHSA  
 +959 Pathology Laboratory National Code  
 ZZZ Mutually defined

**1153 Reference qualifier**

+959 Transaction/record/file type

**1225 Message function, coded**

+10 FHSA/GP - Cervical screening Download

**2005 Date/time/period qualifier**

119 Test performed date  
 137 Document/message date/time  
 184 Notification date  
 +966 Date of recall  
 +969 Invitation date

**2379 Date/time/period format qualifier**

102 CCYYMMDD  
 203 CCYYMMDDHHMM  
 610 CCYYMM

**3035 Party qualifier**

+FHS FHSA  
 +GP GP  
 +PAT Patient  
 +PTH Pathology Laboratory  
 +SND Sender of test  
 +GPP GP partnership

**3227 Place/location qualifier**

+950 Place of birth

**+3835 Name component qualifier**

+FO First given name  
 +MI Middle name  
 +SU Family name

**4451 Text subject qualifier**

+COM Comments  
 +GFT GP free text  
 +PTN Patient notes

**6063 Quantity qualifier**

+953 Number of patients  
 +959 Number of births  
 +960 Number of miscarriages/abortions  
 +961 Number of months  
 +962 Number of days  
 +964 Final non responder count

<b>7405</b>	<b>Identity number, coded</b>
+OPI	Official patient identification
<b>+9506</b>	<b>Health information qualifier</b>
+CAC	Cytology action code
+CON	Condition
+CMK	Correspondence marker
+ETP	Exclude from target payments
+PDM	Positive/doubtful marker
+SRC	Source code
<b>+9513</b>	<b>Sample type qualifier</b>
+SNO	Slide number
<b>+9518</b>	<b>Episode status qualifier</b>
+CRS	Call/recall status
+RST	Recall state
+RTP	Recall type
+DRT	Default recall type
<b>+9520</b>	<b>Test results qualifier</b>
+SMT	Smear test
<b>+9811</b>	<b>Segment group usage, coded</b>
+2	Segment group 2
+3	Segment group 3



***IMPLEMENTATION GUIDELINES  
FOR THE  
EDIFACT MESSAGE  
FHSPRV:0:2:FH:FHS003***

***Version Number: 1.0  
Issue Date: 25<sup>th</sup> January 2000***

Message Type : FHSPRV  
Version : 0  
Release : 2  
Controlling Agency : FH  
Assoc. Assigned Code : FHS003

© Crown Copyright 2016

NHS Digital  
Hexagon House  
P.O. Box 78  
Pynes Hill  
Rydon Lane  
Exeter  
EX2 5SE

Telephone:  
Exeter (01392) 206700  
Fax (01392) 206946

*AMENDMENT HISTORY*

<u>Version:</u>	<u>Date Issued:</u>	<u>Brief Summary of Change:</u>	<u>Owner's Signature:</u>
Draft	15.12.1995	First Draft Version	
0	10.01.1996	Updated after Quality review	
0.1	23.01.1996	Version of EDIFACT message amended	
1.0	25.01.2000	Amended to reflect change of names to HA and NHSIA	

*DISTRIBUTION LIST*

**Owner:** *MediFACT Product Manager*

This is a Controlled Document. On receipt of a new version, destroy all previous versions.

**CONTENTS**

1	INTRODUCTION	4
2	SCOPE	4
2.1	Functional Definition	4
2.2	Field of application	4
2.3	Principles	4
3	REFERENCES	4
4	TERMS AND DEFINITIONS	4
5	MESSAGE STRUCTURE	5
5.1	Data segment clarification	5
5.2	Branching diagram	7
5.3	Segment table	8
6	IMPLEMENTATION GUIDELINES	9
6.1	Format and Notation	9
6.2	Message Definition	11
7	EDIFACT REFERENCE DIRECTORY	34
7.1	Formal definition of composites	34
7.2	Formal definition of data elements	38
7.3	Data element code values	43

## **1 Introduction**

This document defines the design for the EDIFACT message FHSPRV:0:2:FH:FHS003 to be used for transferring results from a laboratory to an HA and the return to a laboratory of uncompleted logged smears.

This message is a subset of the EDIFACT message FHSPRV:0:2:FH.

## **2 Scope**

### **2.1 Functional Definition**

This message will be sent to HAs from pathology laboratories, and from HAs to pathology laboratories.

### **2.2 Field of application**

This message may be applied nationally to all HAs and pathology laboratories with EDIFACT capability.

### **2.3 Principles**

The overall structure of the message is one header record for each transfer with one-to-many patient detail records.

## **3 References**

See UNTDID, Part 4, Section 2.5, UN/ECE UNSM General Introduction, Section 1.

## **4 Terms and Definitions**

See UNTDID, Part 4, Section 2.5, UN/ECE UNSM General Introduction, Section 2.



## 5 Message Structure

### 5.1 Data segment clarification

This section should be read in conjunction with the branching diagram and segment table which indicate mandatory, conditional and repeating requirements.

This subset does not include those groups and segments which are conditional in the EDIFACT message FHSPRV:0:2:FH and are not required in this implementation.

All segments, composites and data elements (except those marked as additions) are taken from the UN/EDIFACT D.93A directory.

#### **UNH Message header**

A service segment starting and uniquely identifying a message. The message type code for this message is FHSPRV:0:2:FH:FHS003.

#### **BGM Beginning of message**

A segment for identification of the message use.

#### **NAD Name and address**

A segment specifying the sender and the recipient of the message being transferred.

#### **DTM Date/time/period**

A segment identifying the date/time of message generation, the begin and end dates of smear tests, and the date the job was run at the HA.

#### **RFF Reference**

A segment specifying the transfer reference number.

#### **Segment Group 1: S01-NAD-SG2-SG3**

A group of segments giving information about patients and associated episodes, ie. patient personal details and clinical cervical screening details.

##### **+S01 Trigger segment SG1**

Trigger (initial) segment for segment group number 1 in a message.

#### **NAD Name and address**

A segment identifying the source of the smear test result, the sender of the smear test result and the patient's GP.

#### **Segment Group 2: S02-PNA-DTM-NAD**

A group of segments identifying the patient in question (name, address etc.)

##### **+S02 Trigger segment SG2**

Trigger (initial) segment for segment group number 2 in a message.

**+PNA          Person name**

A segment identifying the patient by specifying various name details and identification numbers.

**DTM          Date/time/period**

A segment identifying the patient's date of birth.

**NAD          Name and address**

A segment identifying the patient's current address details.

**Segment Group 3:    TST-DTM-HEA-QTY**

A group of segments identifying the patient's clinical cervical screening details.

**+S03          Trigger segment SG3**

Trigger (initial) segment for segment group number 3 in a message.

**TST          Test results**

A segment used to hold the patient's result code and action code.

**DTM          Date/time/period**

A segment specifying the date of the smear test.

**HEA          Health information**

This segment is used to specify the correspondence marker, the excluded from payments flag and the infection code of the smear test.

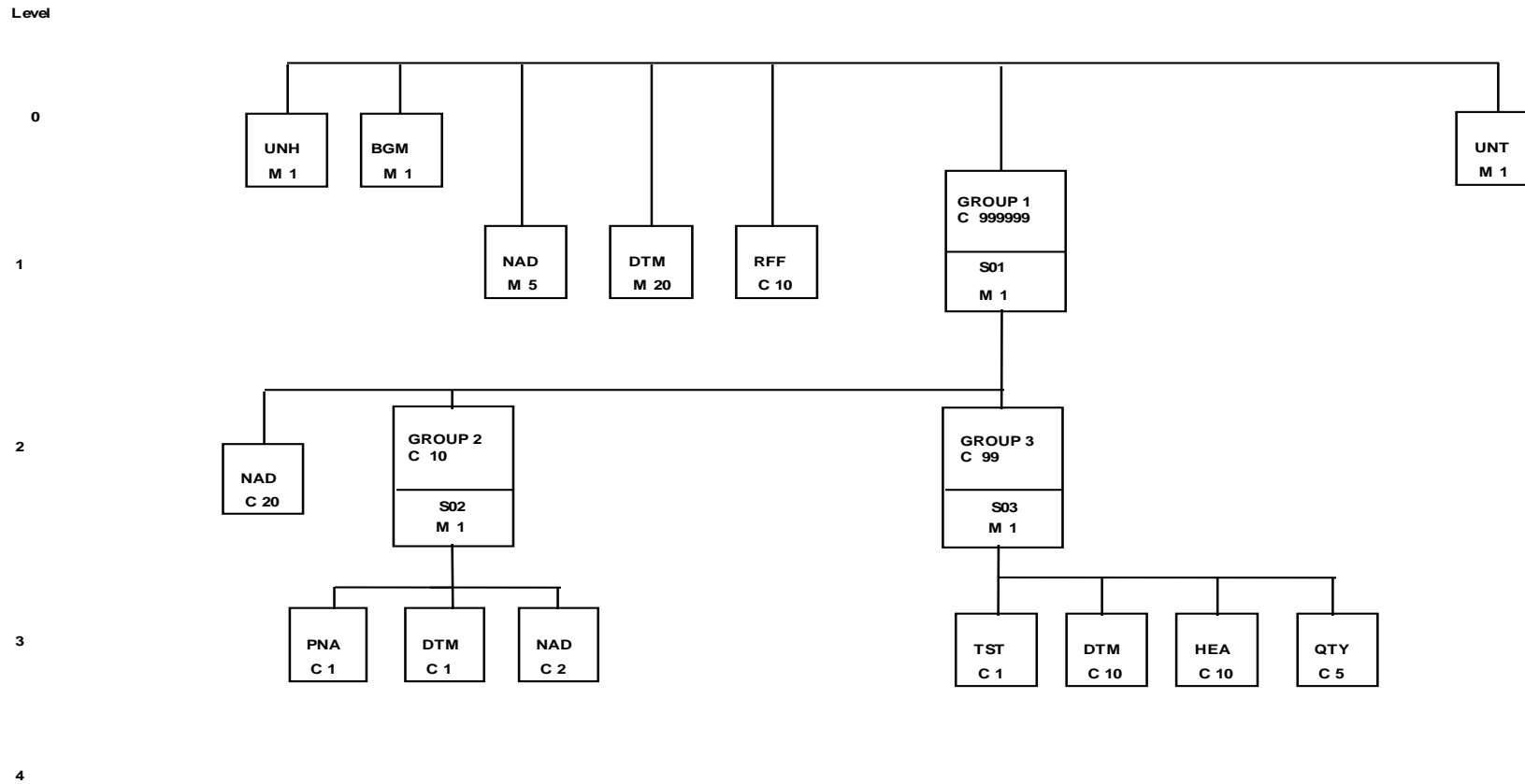
**\*QTY          Quantity**

A segment specifying the patient's number of births, number of abortions and the repeat interval of the test.

**UNT          Message trailer**

A service segment ending a message, giving the total number of segments in the message and the control reference number of the message.

## 5.2 Branching Diagram



### 5.3 Segment table

<b>UNH</b>	Message header	<b>M</b>	<b>1</b>
<b>BGM</b>	Beginning of message	<b>M</b>	<b>1</b>
<b>NAD</b>	Name and address	<b>M</b>	<b>5</b>
<b>DTM</b>	Date/time/period	<b>M</b>	<b>20</b>
<b>RFF</b>	Reference	<b>C</b>	<b>10</b>
Segment Group 1			<b>C 999999</b>
<b>+ S01</b>	Trigger segment SG1	<b>M</b>	<b>1</b>
<b>NAD</b>	Name and address	<b>C</b>	<b>20</b>
Segment Group 2			<b>C 10</b>
<b>+ S02</b>	Trigger segment SG2	<b>M</b>	<b>1</b>
<b>+ PNA</b>	Person name	<b>C</b>	<b>1</b>
<b>DTM</b>	Date/time/period	<b>C</b>	<b>1</b>
<b>NAD</b>	Name and address	<b>C</b>	<b>2</b>
Segment Group 3			<b>C 99</b>
<b>+ S03</b>	Trigger segment SG3	<b>M</b>	<b>1</b>
<b>TST</b>	Test results	<b>C</b>	<b>1</b>
<b>DTM</b>	Date/time/period	<b>C</b>	<b>10</b>
<b>+ HEA</b>	Health	<b>C</b>	<b>10</b>
<b>*QTY</b>	Quantity	<b>C</b>	<b>5</b>
<b>UNT</b>	Message trailer	<b>M</b>	<b>1</b>

## 6 Implementation Guidelines

### 6.1 Format and Notation

#### 6.1.1 Format

The format of each segment page follows the structure defined below:

- a) Segment tag and segment name.
- b) General function of the segment, in the context of its position within the message.
- c) Usage of the segment, indicating whether the segment is mandatory or conditional, and the maximum number of repetitions allowed for the segment (if more than one) in the context of its position within the message.
- d) Comments on the usage of the segment, indicating any dependency rules for the segment.
- e) A table for the segment, containing the following columns:

**No** - The data element or composite number within the segment

**Data element** - The name of the data element or composite

**Usage** - Usage of the data element (see 6.1.2 Notation)

**Repr.** - Representation of the data element, indicating whether the data element may be alphabetic only, numeric only or alphanumeric and indicating the maximum length of the data or its fixed length

**Value/Description/Dependency rules** - *Italic text* describes the data to be used for that data element, normal text is used to list possible code values for the data element, and underlined text indicates dependency rules for the data element.

Before the definition of each segment group there is a segment group initial page. This identifies the segments within the segment group and the function, usage and comments on usage in the same way as defined above for each segment.

### 6.1.2 Notation

The following usage indicators are used for segments, segment groups, data elements and composites :

<b>M (Mandatory)</b>	Mandatory in the message definition, must be mandatory in this MIG.
<b>R (Required)</b>	Conditional in the message definition, use is required in this MIG.
<b>A (Advised)</b>	Conditional in the message definition, use is recommended in this MIG.
<b>D (Dependent)</b>	Conditional in the message definition, use is dependent in this MIG under certain conditions which will be described.
<b>O (Optional)</b>	Conditional in the message definition, use is optional in this MIG.
<b>N (Not used)</b>	Conditional in the message definition, should not be used in this MIG.

"+" in front of a segment tag, composite, data element or code value indicates that this is a new item and not found within the EDIFACT D.93A directory.

"\*" in front of a segment tag, composite, data element or code value indicates that this is a modified item compared with the item found within the EDIFACT D.93A directory.

Within the DTM Date/time/period segment, the values of the codes for Date/time/period qualifier represent the following (the difference between Month and Minute being easily recognised in context):

CC	=	Century
YY	=	Year
MM	=	Month
DD	=	Day
HH	=	Hour
MM	=	Minute
SS	=	Second

N.B. The change in name from FHSA to HA has been reflected where possible. Where a qualifier or code value was originally defined containing FHSA, the change shows the new name of HA but retains the previous name in parentheses. eg. HA(FHSA)

## 6.2 Message Definition

### UNH MESSAGE HEADER

Function: To head, identify and specify a message.

Usage: Mandatory

Comments:

No	Data Element	Usage	Repr.	Value/Description/Dependency rules
0062	MESSAGE REFERENCE NUMBER	M	an..14	
S009	MESSAGE IDENTIFIER	M		
0065	Message type	M	an..6	<i>Identification of the type of message being transmitted</i> "FHSPRV" = Preventative Health
0052	Message version number	M	an..3	<i>Identification of the version number of the message</i> "0" = Version number of the message
0054	Message release number	M	an..3	<i>Identification of the release number of the message type within the current version</i> "2" = Release number within the current version number
0051	Controlling Agency	M	an..2	<i>Identification of the agency controlling the specification, maintenance and publication of the message typ.</i> "FH" = FHSCU now NHS Information Authority
0057	Association assigned code	R	an..6	<i>A code identifying the Message Implementation Guidelines for the message type</i> "FHS003" = Pathology Laboratory/HA-Cervical Screening
0068	COMMON ACCESS REFERENCE	N	an..35	
S010	STATUS OF THE TRANSFER	N		
0070	Sequence of transfers	N	n..2	
0073	First and last transfer	N	a1	

**BGM BEGINNING OF MESSAGE**

Function: To identify the datatype.

Usage: Mandatory

Comments:

No	Data Element	Usage	Repr.	Value/Description/Dependency rules
C002	DOCUMENT/MESSAGE NAME	N		
1001	Document/message name, coded	N	an..3	
1131	Code list qualifier	N	an..3	
3055	Code list responsible agency, coded	N	an..3	
1000	Document/message name	N	an..35	
1004	DOCUMENT/MESSAGE NUMBER	N	an..35	
1225	MESSAGE FUNCTION, CODED	R	an..3	<i>Identification data type of message</i> +"9" = Pathology Laboratory/HA - Cervical Screening
4343	RESPONSE TYPE, CODED	N	an..3	



**NAD NAME AND ADDRESS**

Function: To identify the sender and/or recipient of the message, and other relevant parties.

Usage: Mandatory, 2 repetitions required.

Comments: This segment is used to identify the sending HA or pathology lab by cipher, and the receiving HA or pathology lab by code.

No	Data Element	Usage	Repr.	Value/Description/Dependency rules
3035	PARTY QUALIFIER	M	an..3	Code for type of healthcare party +"FHS" = HA(FHSA) +"PTH" = Pathology Laboratory
C082	PARTY IDENTIFICATION DETAILS	R		Used to hold the code for the healthcare party
3039	Party id identification	M	an..17	Cipher of the sending HA(FHSA) Cipher of the receiving HA(FHSA) Code of the sending pathology laboratory Code of the receiving pathology laboratory
1131	Code list qualifier	R	an..3	Code list specifying the healthcare registration identification +"954" = HA(FHSA) +"963" = Laboratory code
3055	Code list responsible agency, coded	N	an..3	
C058	NAME AND ADDRESS	N		
3124	Name and address line	N	an..35	
3124	Name and address line	N	an..35	
3124	Name and address line	N	an..35	
3124	Name and address line	N	an..35	
3124	Name and address line	N	an..35	
C080	PARTY NAME	N		
3036	Party name	N	an..35	
3036	Party name	N	an..35	
3036	Party name	N	an..35	
3036	Party name	N	an..35	
3036	Party name	N	an..35	
3045	Party name format, coded	N	an..3	
C059	STREET	N		

3042	Street and number/P.O. Box	N	an..35	
3042	Street and number/P.O. Box	N	an..35	
3042	Street and number/P.O. Box	N	an..35	
3164	CITY NAME	N	an..35	
3229	COUNTRY SUB-ENTITY IDENTIFICATION	N	an..9	
3251	POSTCODE IDENTIFICATION	N	an..9	
3207	COUNTRY, CODED	N	an..3	

**DTM DATE/TIME/PERIOD**

Function: To identify date/time of translation, smear test dates and HA run date.

Usage: Mandatory, maximum 3 repetitions.

Comments: This segment is used to provide the date and time the message was translated, the begin date of smear tests and the end date of smear tests.

No	Data Element	Usage	Repr.	Value/Description/Dependency rules
C507	DATE/TIME/PERIOD	M		
2005	Date/time/period qualifier	M	an..3	<i>Code for type of date/time</i> "137" = Document/message date/time "194" = Start date time "206" = End date/time
2380	Date/time/period	R	an..35	<i>Date and time the message was translated</i> <i>The date the smear tests begin from</i> <i>The date the smear tests end</i>
2379	Date/time/period format qualifier	R	an..3	<i>Code for format of start and end date</i> "101" = YYMMDD <i>Code for document/message date/time</i> "203" = CCYYMMDDHHMM

**RFF REFERENCE**

Function: To specify references related to preventative health.

Usage: Optional.

Comments: This segment is used to specify the transfer reference number.

No	Data Element	Usage	Repr.	Value/Description/Dependency rules
C506	REFERENCE	M		
1153	Reference qualifier	M	an..3	<i>Code to identify the reference number being transferred</i>  "TN" = Transaction reference number
1154	Reference number	R	an..35	<i>The network file transfer number</i>
1156	Line number	N	an..6	
4000	Reference version number	N	an..35	

**Segment Group 1: S01-NAD-SG2-SG3**

**Function:** To provide preventative health information of a patient and related test data.

**Usage:** Optional, maximum 999999 repetitions.

**Comments:** This repeating segment group will repeat once for each test.

**+S01 TRIGGER SEGMENT SG1**

Function: Trigger segment for segment group number 1 in a message.

Usage: Mandatory.

Comments:

No	Data Element	Usage	Repr.	Value/Description/Dependency rules
+C851	SEGMENT GROUP USAGE DETAILS	R		
+9811	Segment group usage, coded	R	an..3	<i>Code to indicate usage of the segment</i> +"1" = Segment group 1
1131	Code list qualifier	N	an..3	
3055	Code list responsible agency, coded	N	an..3	
+9810	Segment group usage	N	an..70	

**NAD NAME AND ADDRESS**

Function: To identify relevant parties.

Usage: Required, maximum three repetitions.

Comments: To identify the source of the smear test result, the sender of the smear test result and the patient's GP.

No	Data Element	Usage	Repr.	Value/Description/Dependency rules
3035	PARTY QUALIFIER	M	an..3	+ "GP" = Current GP + "SND" = Sender of test result + "SRC" = Source of test result
C082	PARTY IDENTIFICATION DETAILS	R		<i>Used to hold the code for the healthcare party</i>
3039	Party id identification	M	an..17	<i>Source of the smear test result</i> <i>Sender of the smear test result</i> <i>Patient's GP local code</i>
1131	Code list qualifier	R	an..3	"ZZZ" = Mutually defined
3055	Code list responsible agency, coded	N	an..3	
C058	NAME AND ADDRESS	N		
3124	Name and address line	N	an..35	
3124	Name and address line	N	an..35	
3124	Name and address line	N	an..35	
3124	Name and address line	N	an..35	
3124	Name and address line	N	an..35	
C080	PARTY NAME	N		
3036	Party name	N	an..35	
3036	Party name	N	an..35	
3036	Party name	N	an..35	
3036	Party name	N	an..35	
3036	Party name	N	an..35	
3045	Party name format, coded	N	an..3	
C059	STREET	N		
3042	Street and number/P.O. Box	N	an..35	
3042	Street and number/P.O. Box	N	an..35	
3042	Street and number/P.O. Box	N	an..35	
3164	CITY NAME	N	an..35	
3229	COUNTRY SUB-ENTITY IDENTIFICATION	N	an..9	
3251	POSTCODE IDENTIFICATION	N	an..9	

3207	COUNTRY, CODED	N	an..3	
------	----------------	---	-------	--



**Segment Group 2: S02-PNA-DTM-NAD**

**Function:** To provide personal information about patients.

**Usage:** Required, maximum 2 repetitions.

**Comments:** This segment is used to convey personal information about a patient.

One occurrence of the segment group for a patient will hold current information such as the patient's NHS number, current names, date of birth and address.

The other occurrence of the segment group for a patient will hold the patient's previous surname and the patient's alternative NHS number.

**+S02 TRIGGER SEGMENT SG2**

Function: Trigger segment for segment group number 2 in a message.

Usage: Mandatory.

Comments:

No	Data Element	Usage	Repr.	Value/Description/Dependency rules
+C851	SEGMENT GROUP USAGE DETAILS	R		
+9811	Segment group usage, coded	R	an..3	<i>Code to indicate usage of the segment</i> +"2" = Segment group 2
1131	Code list qualifier	N	an..3	
3055	Code list responsible agency, coded	N	an..3	
+9810	Segment group usage	N	an..70	

**+PNA PERSON NAME**

Function: To specify information necessary to establish the identity of the patient.

Usage: Optional.

Comments: This segment is used to provide both identification numbers and name details for the patient.

No	Data Element	Usage	Repr.	Value/Description/Dependency rules
3035	PARTY QUALIFIER	M	an..3	Code for the type of patient information conveyed +“PAT” = Patient (used for current name details and ‘usual’ NHS number) +“PER” = Person (used for previous name details and alternative NHS number)
C206	IDENTIFICATION NUMBER	O		
7402	Identity number	M	an..35	Official patient identification (NHS number) Alternative patient identification (alternative NHS number)
7405	Identity number qualifier	R	an..3	+“OPI” = Official patient identification
+3797	NAME TYPE, CODED	N	an..3	
+3799	NAME STATUS, CODED	N	an..3	
+C816	NAME COMPONENT DETAILS	D		<u>In the first repeat of this segment group, this composite must exist and hold the patient’s current family name</u> Person family name details (of patient) Previous person family name
+3835	Name component qualifier	M	an..3	Code for type of name component +“SU” = Family nam.
+3836	Name component	R	an..70	Family name Previous family name
+3839	Name component status, coded	N	an..3	
+3841	Name component original representation, coded	N	an..3	
+C816	NAME COMPONENT DETAILS	D		<u>In the first repeat of this segment group, this composite must exist and hold the patient’s forenames</u> Person name details (of patient)
+3835	Name component qualifier	M	an..3	Code for type of name component +“FS” = Forenames
+3836	Name component	R	an..70	Patient’s forenames
+3839	Name component status, coded	N	an..3	
+3841	Name component original	N	an..3	

	representation, coded			
+C816	NAME COMPONENT DETAILS	N		
+3835	Name component qualifier	N	an..3	
+3836	Name component	N	an..70	
+3839	Name component status, coded	N	an..3	
+3841	Name component original representation, coded	N	an..3	
+C816	NAME COMPONENT DETAILS	N		
+3835	Name component qualifier	N	an..3	
+3836	Name component	N	an..70	
+3839	Name component status, coded	N	an..3	
+3841	Name component original representation, coded	N	an..3	
+C816	NAME COMPONENT DETAILS	N		
+3835	Name component qualifier	N	an..3	
+3836	Name component	N	an..70	
+3839	Name component status, coded	N	an..3	
+3841	Name component original representation, coded	N	an..3	

**DTM DATE/TIME/PERIOD**

Function: To specify a date associated with the patient.

Usage: Dependent.

Comments: This segment holds the patient’s date of birth and is required for the repetition of segment group 2 which contains the patient’s current name details.

No	Data Element	Usage	Repr.	Value/Description/Dependency rules
C507	DATE/TIME/PERIOD	M		
2005	Date/time/period qualifier	M	an..3	Code for type of date/time “329” = Birth date
2380	Date/time/period	R	an..35	Date of birth
2379	Date/time/period format qualifier	R	an..3	Code for format of date +“951” = DDMMCCYY

**NAD NAME AND ADDRESS**

Function: To specify the address of the patient.

Usage: Dependent.

Comments: This segment is a used to identify the address of the patient.

This segment is required for the repetition of segment group 2 which contains the patient's current address details.

No	Data Element	Usage	Repr.	Value/Description/Dependency rules
3035	PARTY QUALIFIER	M	an..3	<i>Code for type of healthcare party</i> +"PAT" = Health patient
C082	PARTY IDENTIFICATION DETAILS	N		
3039	Party id identification	N	an..17	
1131	Code list qualifier	N	an..3	
3055	Code list responsible agency, coded	N	an..3	
C058	NAME AND ADDRESS	R		<i>The address of the patient</i>
3124	Name and address line	M	an..35	<i>The first 35 characters of the patient's address</i>
3124	Name and address line	O	an..35	<i>The remaining characters of the patient's address</i>
3124	Name and address line	N	an..35	
3124	Name and address line	N	an..35	
3124	Name and address line	N	an..35	
C080	PARTY NAME	N		
3036	Party name	N	an..35	
3036	Party name	N	an..35	
3036	Party name	N	an..35	
3036	Party name	N	an..35	
3036	Party name	N	an..35	
3045	Party name format, coded	N	an..3	
C059	STREET	N		
3042	Street and number/P.O. Box	N	an..35	
3042	Street and number/P.O. Box	N	an..35	
3042	Street and number/P.O. Box	N	an..35	
3164	CITY NAME	N	an..35	
3229	COUNTRY SUB-ENTITY IDENTIFICATION	N	an..9	
3251	POSTCODE IDENTIFICATION	N	an..9	
3207	COUNTRY, CODED	N	an..3	

**Segment Group 3: S03-TST-DTM-HEA-QTY**

**Function:** To provide current health information.

**Usage:** Required, maximum 1 repetition.

**Comments:** This segment group is used to convey patient's test details.

**+S03 TRIGGER SEGMENT SG3**

Function: Trigger segment for segment group number 3 in a message.

Usage: Mandatory.

Comments:

No	Data Element	Usage	Repr.	Value/Description/Dependency rules
+C851	SEGMENT GROUP USAGE DETAILS	R		
+9811	Segment group usage, coded	R	an..3	<i>Code to indicate usage of the segment</i> +"3" = Segment group 3
1131	Code list qualifier	N	an..3	
3055	Code list responsible agency, coded	N	an..3	
+9810	Segment group usage	N	an..70	



**+TST TEST RESULTS**

Function: To specify test results.

Usage: Required.

Comments: This segment is used to hold the patient's result code and action code.

No	Data Element	Usage	Repr.	Value/Description/Dependency rules
+9520	TEST RESULTS QUALIFIER	M	an..3	+ "RCD" = Result codes
+C975	TEST RESULT	O		
+9511	Test result, coded	M	an..3	<i>Smear test result code</i>
1131	Code list qualifier	R	an..3	<i>Code specifying the list containing the test result codes</i> "ZZZ" = Mutually defined
3055	Code list responsible agency, coded	N	an..3	
+C976	SAMPLE IDENTIFIER	R		
+9513	Sample type qualifier	M	an..3	<i>Code for type of qualifier</i> + "SNO" = Slide number
+9514	Sample identification	M	an..17	<i>Numeric value identifying a slide</i>
+C977	TEST INFORMATION	O		
+9515	Test, coded	R	an..3	<i>Smear test action code</i>
1131	Code list qualifier	R	an..3	<i>Code specifying the list containing the test action codes</i> "ZZZ" = Mutually defined
3055	Code list responsible agency, coded	N	an..3	
+9516	Test	N	an..35	
+9512	TEST RESULT, TEXT	N	an..35	

**DTM            DATE/TIME/PERIOD**

Function:        To specify relevant dates.

Usage:            Required.

Comments:        This segment holds the date of the smear test.

No	Data Element	Usage	Repr.	Value/Description/Dependency rules
C507	DATE/TIME/PERIOD	M		
2005	Date/time/period qualifier	M	an..3	<i>Code for type of date</i> "119" =        Test performed date
2380	Date/time/period	R	an..35	<i>Date of smear test</i>
2379	Date/time/period format qualifier	N	an..3	<i>Code for format of date</i> "102" =        CCYYMMDD

**+HEA HEALTH INFORMATION**

Function: To specify items of health information.

Usage: Optional, maximum 3 repetitions.

Comments: This segment holds the correspondence marker, the excluded from payments flag and the infection code of the smear test.

No	Data Element	Usage	Repr.	Value/Description/Dependency rules
+9506	HEALTH INFORMATION QUALIFIER	M	an..3	<i>Qualifier identifying the type of health information being specified</i> +”CMK” = Correspondence marker +”INM” = Infection marker +”ETP” = Excluded from payments
+C973	HEALTH INFORMATION	R		
+9507	Health information identification	R	an..10	<i>The correspondence marker, the infection marker or the excluded from payments flag</i>
1131	Code list qualifier	R	an..3	<i>Code specifying the list containing the codes held in element 9507</i> “ZZZ” = Mutually defined
3055	Code list responsible agency, coded	N	an..3	
+9508	Health	N	an..35	

**\*QTY QUANTITY**

Function: To specify pertinent quantities.

Usage: Optional, maximum 3 repetitions.

Comments: This segment is used to hold the patient's number of births, number of abortions, and the repeat interval of the test.

No	Data Element	Usage	Repr.	Value/Description/Dependency rules
*C186	QUANTITY DETAILS	R		
6063	Quantity qualifier	M	an..3	+''959'' = Number of births +''960'' = Number of abortions +''961'' = Number of months
*6060	Quantity	M	an..15	<i>Numerical value of number of births</i> <i>Numerical value of number of abortions</i> <i>Numerical value of number of months</i>
+C848	MEASUREMENT UNIT DETAILS	N		
*6411	Measurement unit identification	N	an..17	
1131	Code list qualifier	N	an..3	
3055	Code list responsible agency, coded	N	an..3	
+6410	Measurement unit	N	an..35	

**UNT MESSAGE TRAILER**

Function: To end and check the completeness of a message.

Usage: Mandatory.

Comments:

No	Data Element	Usage	Repr.	Value/Description/Dependency rules
0074	NUMBER OF SEGMENTS IN A MESSAGE	M	n..6	
0062	MESSAGE REFERENCE NUMBER	M	an..14	

## 7 EDIFACT Reference Directory

### 7.1 Formal definition of composites

#### Listing of composites by Tag

C002	DOCUMENT/MESSAGE NAME
C058	NAME AND ADDRESS
C059	STREET
C080	PARTY NAME
C082	PARTY IDENTIFICATION DETAILS
*C186	QUANTITY DETAILS
C206	IDENTIFICATION NUMBER
C506	REFERENCE
C507	DATE/TIME/PERIOD
+C816	NAME COMPONENT DETAILS
+C848	MEASUREMENT UNIT DETAILS
+C851	SEGMENT GROUP USAGE DETAILS
+C973	HEALTH INFORMATION
+C975	TEST RESULT
+C976	SAMPLE IDENTIFIER
+C977	TEST INFORMATION

Composite specifications**C002 DOCUMENT/MESSAGE NAME**

Desc: Identification of a type of document/message by code or name.

1001	Document/message name, coded	C	an..3
1131	Code list qualifier	C	an..3
3055	Code list responsible agency, coded	C	an..3
1000	Document/message name	C	an..35

**C058 NAME AND ADDRESS**

Desc: Unstructured name and address: one to five lines.

3124	Name and address line	M	an..35
3124	Name and address line	C	an..35
3124	Name and address line	C	an..35
3124	Name and address line	C	an..35
3124	Name and address line	C	an..35

**C059 STREET**

Desc: Street address and/or P.O.Box number in a structured address: one to three lines.

3042	Street and number/P.O. Box	M	an..35
3042	Street and number/P.O. Box	C	an..35
3042	Street and number/P.O. Box	C	an..35

**C080 PARTY NAME**

Desc: Identification of a transaction party by name, one to five lines. Party name may be formatted.

3036	Party name	M	an..35
3036	Party name	C	an..35
3036	Party name	C	an..35
3036	Party name	C	an..35
3036	Party name	C	an..35
3045	Party name format, coded	C	an..3

**C082 PARTY IDENTIFICATION DETAILS**

Desc: Identification of a transaction party by code.

3039	Party identification	M	an..17
1131	Code list qualifier	C	an..3
3055	Code list responsible agency, coded	C	an..3

**\*C186 QUANTITY DETAILS**

Desc: Quantity information in a transaction, qualified when relevant.

6063	Quantity qualifier	M	an..3
*6060	Quantity	M	an..15

**C206 INDENTIFICATION NUMBER**

Desc: The identification of an object.

7402	Identity number	M	an..35
7405	Identity number qualifier	C	an..3

**C506 REFERENCE**

Desc: Identification of a reference.

1153	Reference qualifier	M	an..3
1154	Reference number	C	an..35
1156	Line number	C	an..6
4000	Reference version number	C	an..35

**C507 DATE/TIME/PERIOD**

Desc: Date and/or time, or period relevant to the specified date/time/period type.

2005	Date/time/period qualifier	M	an..3
2380	Date/time/period	C	an..35
2379	Date/time/period format qualifier	C	an..3

**+C816 NAME COMPONENT DETAILS**

Desc: To specify a name component

+3835	Name component qualifier	M	an..3
+3836	Name component	C	an..70
+3839	Name component status, coded	C	an..3
+3841	Name component original representation, coded	C	an..3

**+C848 MEASUREMENT UNIT DETAILS**

Desc: To specify a measurement unit.

*6411	Measurement unit identification	C	an..17
1131	Code list qualifier	C	an..3
3055	Code list responsible agency, coded	C	an..3
+6410	Measurement unit	C	an..35

**+C851 SEGMENT GROUP USAGE DETAILS**

Desc: To describe the actual usage of a segment group in a message.

+9811	Segment group usage, coded	C	an..3
1131	Code list qualifier	C	an..3
3055	Code list responsible agency, coded	C	an..3
+9810	Segment group usage	C	an..70



**+C973 HEALTH INFORMATION**

Desc: Specific health information, as identified by a qualifier.

+9507	Health information identification	C	an..10
1131	Code list qualifier	C	an..3
3055	Code list responsible agency, coded	C	an..3
+9508	Health	C	an..35

**+C975 TEST RESULT**

Desc: Identifies the result of a test.

+9511	Test result, coded	M	an..3
1131	Code list qualifier	C	an..3
3055	Code list responsible agency, coded	C	an..3

**+C976 SAMPLE IDENTIFIER**

Desc: A sample type and identification.

+9513	Sample type qualifier	M	an..3
+9514	Sample identification	M	an..17

**+C977 TEST INFORMATION**

Desc: To describe a test.

+9515	Test, coded	C	an..3
1131	Code list qualifier	C	an..3
3055	Code list responsible agency, coded	C	an..3
+9516	Test	C	an..35

## 7.2 Formal definition of data elements

### Listing of data elements by Tag

1000	Document/message name
1001	Document/message name, coded
1004	Document/message number
1131	Code list qualifier
1153	Reference qualifier
1154	Reference number
1156	Line number
1225	Message function, coded
2005	Date/time/period qualifier
2379	Date/time/period format qualifier
2380	Date/time/period
3035	Party qualifier
3036	Party name
3039	Party id identification
3042	Street and number/P.O. Box
3045	Party name format, coded
3055	Code list responsible agency, coded
3124	Name and address line
3164	City name
3207	Country, coded
3229	Country sub-entity identification
3251	Postcode identification
+3797	Name type, coded
+3799	Name status, coded
+3835	Name component qualifier
+3836	Name component
+3839	Name component status, coded
+3841	Name component original representation, coded
4000	Reference version number
4343	Response type, coded
*6060	Quantity
6063	Quantity qualifier
+6410	Measurement unit
*6411	Measurement unit identification
7402	Identity number
7405	Identity number qualifier
+9506	Health information qualifier
+9507	Health information identification
+9508	Health
+9511	Test result, coded
+9512	Test result, text
+9513	Sample type qualifier
+9514	Sample identification
+9515	Test, coded
+9516	Test
+9520	Test results qualifier
+9810	Segment group usage
+9811	Segment group usage, coded

Data element specifications

- 1000 Document/message name**  
Desc: Plain language identifier specifying the function of a document/message.  
Repr: an..35
- 1001 Document/message name, coded**  
Desc: Document/message identifier expressed in code.  
Repr: an..3
- 1004 Document/message number**  
Desc: Reference number assigned to the document/message by the issuer.  
Repr: an..35
- 1131 Code list qualifier**  
Desc: Identification of a code list.  
Repr: an..3
- 1153 Reference qualifier**  
Desc: Code giving specific meaning to a reference segment or a reference number.  
Repr: an..3
- 1154 Reference number**  
Desc: Identification number the nature and function of which can be qualified by an entry in data element 1153 Reference qualifier.  
Repr: an..35
- 1156 Line number**  
Desc: Number of the line in the document/message referenced in 1154 Reference number.  
Repr: an..6
- 1225 Message function, coded**  
Desc: Code indicating the function of the message.  
Repr: an..3
- 2005 Date/time/period qualifier**  
Desc: Code giving specific meaning to a date, time or period.  
Repr: an..3
- 2379 Date/time/period format qualifier**  
Desc: Specification of the representation of a date, a date and time or of a period.  
Repr: an..3
- 2380 Date/time/period**  
Desc: The value of a date, a date and time, a time or period in a specified representation.  
Repr: an..35
- 3035 Party qualifier**  
Desc: Code giving specific meaning to a party.  
Repr: an..3
- 3036 Party name**  
Desc: Name of a party involved in a transaction.  
Repr: an..35

- 3039 Party id identification**  
Desc: Code identifying a party involved in a transaction.  
Repr: an..17
- 3042 Street and number/P.O. Box**  
Desc: Street and number in plain language, or Post Office Box number.  
Repr: an..35
- 3045 Party name format, coded**  
Desc: Specification of the representation of a party name.  
Repr: an..3
- 3055 Code list responsible agency, coded**  
Desc: Code identifying the agency responsible for a code list.  
Repr: an..3
- 3124 Name and address line**  
Desc: Free form name and address description.  
Repr: an..35
- 3164 City name**  
Desc: Name of a city (a town, a village) for addressing purposes.  
Repr: an..35
- 3207 Country, coded**  
Desc: Identification of the name of a country or other geographical entity as specified.  
Repr: an..3
- 3229 Country sub-entity identification**  
Desc: Identification of the name of sub-entities (state, province) defined by appropriate governmental agencies.  
Repr: an..9
- 3251 Postcode identification**  
Desc: Code defining postal zones or addresses.  
Repr: an..9
- +3797 Name type, coded**  
Desc: Code for type of name such as official name, alias  
Repr: an..3
- +3799 Name status, coded**  
Desc: To specify the status of a name (such as current name)  
Repr: an..3
- +3835 Name component qualifier**  
Desc: To indicate a part of the name such as family name or given name.  
Repr: an..3
- +3836 Name component**  
Desc: Part of party name such as family name or given name.  
Repr: an..70
- +3839 Name component status, coded**  
Desc: To specify the status of a name component.  
Repr: an..3

- +3841 Name component original representation, coded**  
Desc: To specify the alphabet originally used to represent the name.  
Repr: an..3
- 4000 Reference version number**  
Desc: To uniquely identify a reference by its revision number.  
Repr: an..35
- 4343 Response type, coded**  
Desc: Code specifying the type of acknowledgment required.  
Repr: an..3
- \*6060 Quantity**  
Desc: Numeric value of a quantity.  
Repr: an..15
- 6063 Quantity qualifier**  
Desc: Code giving specific meaning to a quantity.  
Repr: an..3
- +6410 Measurement unit**  
Desc: Specification of unit as free text  
Repr: an..35
- \*6411 Measurement unit identification**  
Desc: Specification of unit of measurement using code  
Repr: an..17
- 7402 Identity number**  
Desc: A value given to an object for identification purposes.  
Repr: an..35
- 7405 Identity number qualifier**  
Desc: Code specifying the type/source of the product identification number.  
Repr: an..3
- +9506 Health information qualifier**  
Desc: Gives specific meaning to an item of information relating to health.  
Repr: an..3
- +9507 Health information identification**  
Desc: Item of information relating to health.  
Repr: an..10
- +9508 Health**  
Desc: Description of item relating to health.  
Repr: an..35
- +9511 Test result, coded**  
Desc: To identify the result of a test.  
Repr: an..3
- +9512 Test result, text**  
Desc: To describe the results of a test.  
Repr: an..35
- +9513 Sample type qualifier**  
Desc: Specifies the type of sample.  
Repr: an..3

**+9514 Sample identification**

Desc: To identify a sample.

Repr: an..17

**+9515 Test, coded**

Desc: To identify a test.

Repr: an..3

**+9516 Test**

Desc: Description of a test.

Repr: an..35

**+9520 Test results qualifier**

Desc: Gives specific meaning to a test result.

Repr: an..3

**+9810 Segment group usage**

Desc: To describe the actual usage of a segment group in a message.

Repr: an..70

**+9811 Segment group usage, coded**

Desc: To specify the usage of a segment group in a message as a code.

Repr: an..3

### 7.3 Data element code values

#### 1131 Code list qualifier

+954 HA(FHSA)  
+963 Laboratory code  
+ZZZ Mutually defined

#### 1153 Reference qualifier

TN Transaction reference number

#### 1225 Message function, coded

+9 Pathology laboratory/HA - cervical screening

#### 2005 Date/time/period qualifier

119 Test performed date  
137 Document message date/time  
194 Start date time  
206 End date/time  
324 Processing date/time  
329 Date of birth

#### 2379 Date/time/period format qualifier

101 YYMMDD  
102 CCYYMMDD  
203 CCYYMMDDHHMM

#### 3035 Party qualifier

+FHS HA(FHSA)  
+GP Current GP  
+PAT Patient  
+PER Person  
+PTH Pathology laboratory  
+SND Sender of test result  
+SRC Source of test result

#### +3835 Name component qualifier

+FS Forenames  
+SU Family name

#### 6063 Quantity Qualifier

+959 Number of births  
+960 Number of abortions  
+961 Number of months

**7402 Identity number**

+OPI Official patient identification

**+9506 Health information qualifier**

+CMK Correspondence marker

+INM Infection marker

+ETP Excluded from payments

**+9513 Sample type qualifier**

+SNO Slide number

**+9520 Test results qualifier**

+RCD Result codes

**+9811 Segment group usage, coded**

+1 Segment group 1

+2 Segment group 2

+3 Segment group 3





***EDIFACT***  
***MESSAGE IMPLEMENTATION GUIDELINES***  
***FHSPRV:0:2:FH:FHS004***

***Version Number:***            ***0***  
***Issue Date:***               ***15th February 1996***

Message Type                : FHSPRV  
Version                       : 0  
Release                      : 2  
Controlling Agency         : FH  
Assoc Assigned Code        : FHS004

© Crown Copyright 2016

NHS Digital  
Hexagon House  
P.O. Box 78  
Pynes Hill  
Rydon Lane  
Exeter  
EX2 5SE

Telephone:  
Exeter (01392) 78315  
Fax (01392) 410417

*AMENDMENT HISTORY*

<u>Version:</u>	<u>Date Issued:</u>	<u>Brief Summary of Change:</u>	<u>Owner's Signature:</u>
0	15.02.96	First published version	

This is a Controlled Document. On receipt of a new version, destroy all previous versions.

## **CONTENTS**

- 1 Introduction
  
- 2 Scope
  - 2.1 Functional definition
  - 2.2 Field of application
  - 2.3 Principles
  
- 3 References
  
- 4 Terms and definitions
  
- 5 Message structure
  - 5.1 Data segment clarification
  - 5.2 Branching diagram
  - 5.3 Segment table
  
- 6 Message definition
  - 6.1 Format and notation
    - 6.1.1 Format
    - 6.1.2 Notation
  - 6.2 Segment implementation guidelines
  
- 7 EDIFACT reference directory
  - 7.1 Formal definition of composites
  - 7.2 Formal definition of data elements
  - 7.3 Data element code values

## **1 Introduction**

This document defines the guidelines for the implementation of the EDIFACT message FHSPRV:0:2:FH:FHS004. The message is to be used for transferring lists of cervical screening patients from an FHSA to a GP.

This message is a subset of the EDIFACT message FHSPRV:0:2:FH.

## **2 Scope**

### **2.1 Functional definition**

This message is sent from FHSAs to GPs.

### **2.2 Field of application**

This message may be applied nationally for all FHSAs and GPs with EDIFACT capability.

### **2.3 Principles**

The overall structure of this message implementation is :  
The message provides for 2 file types  
Both file types include details of 1 or more patients  
One message contains one file type.

## **3 References**

See UNTDID, Part 4, Section 2.5, UN/ECE UNSM General Introduction, Section 1.

## **4 Terms and definitions**

See UNTDID, Part 4, Section 2.5, UN/ECE UNSM General Introduction, Section 2.

## 5 Message structure

### 5.1 Data segment clarification

This section should be read in conjunction with the branching diagram and segment table which indicate mandatory, conditional and repeating requirements.

This subset does not include those groups and segments which are conditional in the EDIFACT message FHSPRV:0:2:FH and are not required in this implementation.

All segments, composites and data elements (except those marked as additions) are taken from the UN/EDIFACT D.93A directory.

#### **UNH Message header**

A service segment starting and uniquely identifying a message. The message type code for this message is FHSPRV:0:2:FH:FHS004.

#### **BGM Beginning of message**

A segment for identification of the message use.

#### **NAD Name and address**

A segment for specifying the sender and recipient of the message being transferred.

#### **DTM Date/time/period**

A segment identifying the date/time of the message generation.

#### **RFF Reference**

A segment identifying the file type being transferred in the message.

#### **\*QTY Quantity**

A segment used to specify the total number of patients.

#### **Segment Group 1: S01-NAD-FTX-SG2-SG3**

A group of segments providing either GP details or patient registration details including general and clinical cervical screening details.

##### **+S01 Trigger segment SG1**

Trigger(initial) segment for segment group number 2 in a message

##### **NAD Name and address**

A segment identifying various health bodies depending on file type.

##### **FTX Free text**

A segment specifying free text depending on file type.

#### **Segment Group 2: S02-PNA**

A group of segments identifying the patient

##### **+S02 Trigger segment SG2**

Trigger (initial) segment for segment group number 2 in a message.

##### **+PNA Person Name**

A segment identifying the patient by NHS number

#### **Segment Group 3: S03-TST-EPI-DTM**

A group of segments conveying general and clinical screening details about a patient.

##### **+S03 Trigger segment SG3**

Trigger (initial) segment for segment group number 3 in a message.

**+TST Test results**

A segment containing screening test result.

**+EPI Episode status**

A segment containing patient recall information.

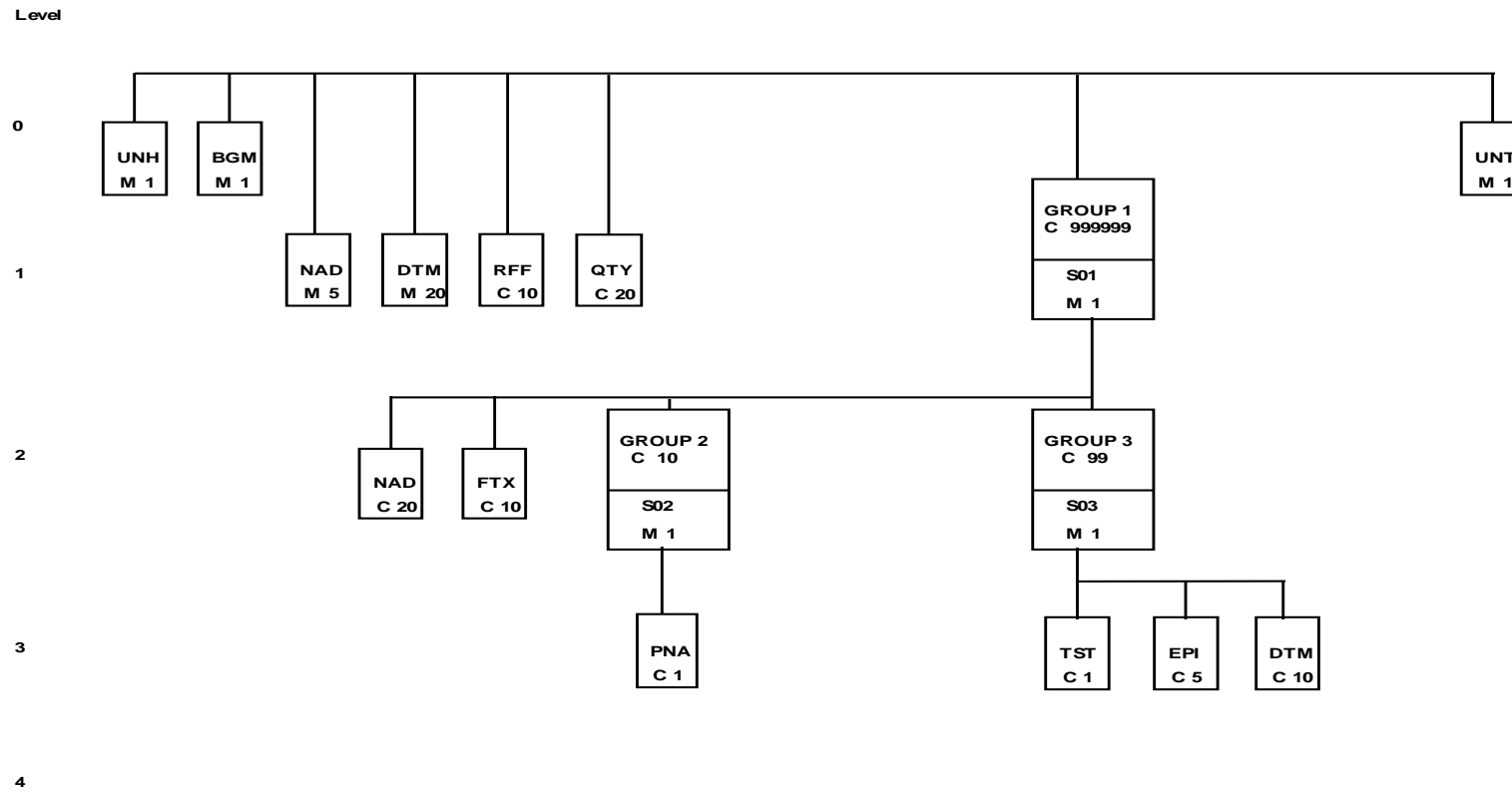
**DTM Date/time/period**

A segment containing various dates depending on file type.

**UNT Message trailer**

A service segment ending a message, giving the total number of segments in the message and the control reference number of the message.

## 5.2 Branching diagram



### 5.3 Segment table

<b>UNH</b>	Message header	<b>M</b>	<b>1</b>
<b>BGM</b>	Beginning of message	<b>M</b>	<b>1</b>
<b>NAD</b>	Name and address	<b>M</b>	<b>5</b>
<b>DTM</b>	Date/time/period	<b>M</b>	<b>20</b>
<b>RFF</b>	Reference	<b>C</b>	<b>10</b>
<b>*QTY</b>	Quantity	<b>C</b>	<b>20</b>
Segment Group 1			<b>C 999999</b>
<b>+S01</b>	Trigger segment SG1	<b>M</b>	<b>1</b>
<b>NAD</b>	Name and address	<b>C</b>	<b>20</b>
<b>FTX</b>	Free text	<b>C</b>	<b>10</b>
Segment Group 2			<b>C 10</b>
<b>+S02</b>	Trigger segment SG2	<b>M</b>	<b>1</b>
<b>+PNA</b>	Person name	<b>C</b>	<b>1</b>
Segment Group 3			<b>C 99</b>
<b>+S03</b>	Trigger segment SG3	<b>M</b>	<b>1</b>
<b>+TST</b>	Test results	<b>C</b>	<b>1</b>
<b>+EPI</b>	Episode status	<b>C</b>	<b>5</b>
<b>DTM</b>	Date/time/period	<b>C</b>	<b>10</b>
<b>UNT</b>	Message trailer	<b>M</b>	<b>1</b>



## 6 Implementation Guidelines

### 6.1 Format and Notation

#### 6.1.1 Format

The format of each segment page follows the structure defined below:

- a) Segment tag and segment name.
- b) General function of the segment.
- c) Usage of the segment, indicating whether the segment is mandatory or conditional (see 6.1.2 Notation).
- d) Comments on the usage of the segment, including any dependency rules for the segment.
- e) A table for the segment, containing the following columns:

**No** - The data element or composite number within the segment

**Data element** - The name of the data element or composite

**Usage** - Usage of the data element (see 6.1.2 Notation) and an indication of the number of repetitions

**Repr.** - Representation of the data element, indicating whether the data element may be alphabetic only, numeric only or alphanumeric and indicating the maximum length of the data or its fixed length

**Value/Description/Dependency rules** - *Italic text* describes the data to be used for that data element, normal text is used to list possible code values for the data element, and underlined text indicates dependency rules for the data element.

Before the definition of each segment group there is a segment group initial page. This identifies the segments within the segment group and the function, usage and comments on usage in the same way as defined above for each segment.

If a segment has more than a single usage, a segment initial page is included to list the maximum number of repetitions and all usages of the segment. Following this there is a separate page defining each use of the segment.

### 6.1.2 Notation

The following usage indicators are used for segments, segment groups, data elements and composites :

<b>M (Mandatory)</b>	Mandatory in the message definition, must be mandatory in this Message Implementation Guidelines (MIG).
<b>R (Required)</b>	Conditional in the message definition, use is required in this MIG.
<b>A (Advised)</b>	Conditional in the message definition, use is recommended in this MIG.
<b>D (Dependent)</b>	Conditional in the message definition, use is dependent in this MIG under certain conditions which will be described.
<b>O (Optional)</b>	Conditional in the message definition, use is optional in this MIG.
<b>N (Not used)</b>	Conditional in the message definition, should not be used in this MIG.

"+" in front of a segment tag, composite, data element or code value indicates that this is a new item and not found within the EDIFACT D.93A directory.

"\*" in front of a segment tag, composite, data element or code value indicates that this is a modified item compared with the item found within the EDIFACT D.93A directory.

Within the DTM Date/time/period segment, the values of the codes for Date/time/period qualifier represent the following (the difference between Month and Minute being easily recognised in context):

CC	=	Century
YY	=	Year
MM	=	Month
DD	=	Day
HH	=	Hour
MM	=	Minute
SS	=	Second

#### File Types

This MIG defines the transfer of cervical screening information for 2 file types. Each type has been given a unique reference which is used to identify the transaction in the RFF (Reference) segment and also used when describing file type dependency rules within the segment implementation guidelines.

The file types are defined as follows:

SL	Suspend List - a list of all women currently suspended from recall
GP	GP List - a list of women who should be invited for a smear test.

## 6.2 Message Definition

### UNH MESSAGE HEADER

Function: To head, identify and specify a message.

Usage: Mandatory, 1 repetition.

Comments:

No	Data Element	Usage	Repr.	Value/Description/Dependency rules
0062	MESSAGE REFERENCE NUMBER	M	an..14	<i>Sender's message sequence number</i>
S009	MESSAGE IDENTIFIER	M		
0065	Message type	M	an..6	<i>Identification of the type of message being transmitted.</i> "FHSPRV" = Preventative Health
0052	Message version number	M	an..3	<i>Identification of the version number of the message.</i> "0" = Version number of the message.
0054	Message release number	M	an..3	<i>Identification of the release number of the message type within the current version.</i> "2" = Release number within the current version number.
0051	Controlling Agency	M	an..2	<i>Identification of the agency controlling the specification, maintenance and publication of the message type.</i> "FH" = FHSCU
0057	Association assigned code	R	an..6	<i>A code identifying the Message Implementation Guidelines for the message type.</i> "FHS004" = Cervical Screening GP and Suspend Lists
0068	COMMON ACCESS REFERENCE	N	an..35	
S010	STATUS OF THE TRANSFER	N		
0070	Sequence of transfers	N	n..2	
0073	First and last transfer	N	a1	

**BGM BEGINNING OF MESSAGE**

Function: To identify the datatype.

Usage: Mandatory, 1 repetition.

Comments: This segment is used to provide a code for the message which indicates its use.

No	Data Element	Usage	Repr.	Value/Description/Dependency rules
C002	DOCUMENT/MESSAGE NAME	N		
1001	Document/message name, coded	N	an..3	
1131	Code list qualifier	N	an..3	
3055	Code list responsible agency, coded	N	an..3	
1000	Document/message name	N	an..35	
1004	DOCUMENT/MESSAGE NUMBER	N	an..35	
1225	MESSAGE FUNCTION, CODED	R	an..3	<i>Identification data type of the message.</i> +"11" = FHSA/GP - Cervical Screening GP & Suspend Lists
4343	RESPONSE TYPE, CODED	N	an..3	

**NAD            NAME AND ADDRESS**

**Function:**    To identify the sender and/or recipient of the message, and other relevant parties.

**Usage:**        2 repetitions.

**Comments:**    There are 2 usages of this segment: 1 to provide the code of the FHSA that is sending the message and 1 to provide the GP partnership code of the GP receiving the message.

**NAD NAME AND ADDRESS**

Function: To identify the sender and/or recipient of the message, and other relevant parties.

Usage: Mandatory, 1 repetition.

Comments: This repetition is used to provide the code of the FHSA that is sending the message.

No	Data Element	Usage	Repr.	Value/Description/Dependency rules
3035	PARTY QUALIFIER	M	an..3	<i>Code for type of healthcare party</i> +"FHS" = FHSA
C082	PARTY IDENTIFICATION DETAILS	R		
3039	Party id identification	M	an..17	<i>Cipher of the sending FHSA</i>
1131	Code list qualifier	R	an..3	<i>Code list specifying the healthcare registration identification</i> +"954" = FHSA
3055	Code list responsible agency, coded	N	an..3	
C058	NAME AND ADDRESS	N		
3124	Name and address line	N	an..35	
3124	Name and address line	N	an..35	
3124	Name and address line	N	an..35	
3124	Name and address line	N	an..35	
3124	Name and address line	N	an..35	
C080	PARTY NAME	N		
3036	Party name	N	an..35	
3036	Party name	N	an..35	
3036	Party name	N	an..35	
3036	Party name	N	an..35	
3036	Party name	N	an..35	
3045	Party name format, coded	N	an..3	
C059	STREET	N		
3042	Street and number/P.O. Box	N	an..35	
3042	Street and number/P.O. Box	N	an..35	
3042	Street and number/P.O. Box	N	an..35	
3164	CITY NAME	N	an..35	
3229	COUNTRY SUB-ENTITY IDENTIFICATION	N	an..9	
3251	POSTCODE IDENTIFICATION	N	an..9	
3207	COUNTRY, CODED	N	an..3	

**NAD NAME AND ADDRESS**

Function: To identify the sender and/or recipient of the message, and other relevant parties.

Usage: Mandatory, 1 repetition.

Comments: This repetition is used to provide the partnership code of the GP that is receiving the message.

No	Data Element	Usage	Repr.	Value/Description/Dependency rules
3035	PARTY QUALIFIER	M	an..3	<i>Code for type of healthcare party</i> +"GP" = GP
C082	PARTY IDENTIFICATION DETAILS	R		
3039	Party id identification	M	an..17	<i>GP code of the GP partnership</i>
1131	Code list qualifier	R	an..3	<i>Code list specifying the healthcare registration identification</i> +"900" = National GP code
3055	Code list responsible agency, coded	N	an..3	
C058	NAME AND ADDRESS	N		
3124	Name and address line	N	an..35	
3124	Name and address line	N	an..35	
3124	Name and address line	N	an..35	
3124	Name and address line	N	an..35	
3124	Name and address line	N	an..35	
C080	PARTY NAME	N		
3036	Party name	N	an..35	
3036	Party name	N	an..35	
3036	Party name	N	an..35	
3036	Party name	N	an..35	
3036	Party name	N	an..35	
3045	Party name format, coded	N	an..3	
C059	STREET	N		
3042	Street and number/P.O. Box	N	an..35	
3042	Street and number/P.O. Box	N	an..35	
3042	Street and number/P.O. Box	N	an..35	
3164	CITY NAME	N	an..35	
3229	COUNTRY SUB-ENTITY IDENTIFICATION	N	an..9	
3251	POSTCODE IDENTIFICATION	N	an..9	
3207	COUNTRY, CODED	N	an..3	

**DTM            DATE/TIME/PERIOD**

Function:        To identify date/time of translation.

Usage:            Mandatory, 1 repetition.

Comments:        This segment is used to provide the date and time that the message was translated.

No	Data Element	Usage	Repr.	Value/Description/Dependency rules
C507	DATE/TIME/PERIOD	M		
2005	Date/time/period qualifier	M	an..3	<i>Code for type of date/time</i> "137" = Document/message date/time
2380	Date/time/period	R	an..35	<i>Date and time the message was translated</i>
2379	Date/time/period format qualifier	R	an..3	<i>Code for format of date/time</i> "203" = CCYYMMDDHHMM



**RFF REFERENCE**

Function: To specify references related to preventative health.

Usage: Mandatory, 1 repetition.

Comments: This segment is used to identify the cervical screening file type.

No	Data Element	Usage	Repr.	Value/Description/Dependency rules
C506	REFERENCE	M		
1153	Reference qualifier	M	an..3	<i>Code identifying the cervical screening file type</i> +"959" = Transaction/record/file type
1154	Reference number	R	an..35	<i>Reference for cervical screening file type</i> "SL" = Suspend List "GP" = GP List
1156	Line number	N	an..6	
4000	Reference version number	N	an..35	

**\*QTY QUANTITY**

Function: To specify amounts related to preventative health.

Usage: Required, 1 repetition.

Comments: This segment is used to provide the total number of patient details being transferred.

No	Data Element	Usage	Repr.	Value/Description/Dependency rules
*C186	QUANTITY DETAILS	M		
6063	Quantity qualifier	M	an..3	<i>Code identifying the quantity</i> +"953" = Number of patients
*6060	Quantity	M	an..15	<i>Total number of patient details being transferred</i>
+C848	MEASUREMENT UNIT DETAILS	N		
*6411	Measurement unit identification	N	an..17	
1131	Code list qualifier	N	an..3	
3055	Code list responsible agency, coded	N	an..3	
+6410	Measurement unit	N	an..35	

**Segment Group 1:S01-NAD-FTX-SG2-SG3**

**Function:** To provide preventative health information related to a party.

**Usage:** 1-999999 repetitions.

**Comments:** This segment group is required for both file types. Each occurrence of this group represents information for a single patient.

**+S01 TRIGGER SEGMENT SG1**

Function: Trigger segment for segment group number 1 in a message.

Usage: Mandatory.

Comments:

No	Data Element	Usage	Repr.	Value/Description/Dependency rules
+C851	SEGMENT GROUP USAGE DETAILS	R		
+9811	Segment group usage, coded	R	an..3	<i>Code to indicate usage of the segment</i> +"1" = Segment group 1
1131	Code list qualifier	N	an..3	
3055	Code list responsible agency, coded	N	an..3	
+9810	Segment group usage	N	an..70	

**NAD            NAME AND ADDRESS**

**Function:**    To identify relevant parties.

**Usage:**        0-2 repetitions.

**Comments:**    There are 2 possible usages of this segment depending on the file type as follows :

GP details for file types "SL" and "GP"  
Sender details for file type "SL".

**NAD NAME AND ADDRESS**

Function: To identify relevant parties.

Usage: Optional, 0-1 repetitions.

Comments: This repetition may be used to carry the GP code.

No	Data Element	Usage	Repr.	Value/Description/Dependency rules
3035	PARTY QUALIFIER	M	an..3	<i>Code for type of healthcare party</i> +"GP" = Current GP
C082	PARTY IDENTIFICATION DETAILS	O		
3039	Party id identification	M	an..17	<i>GP code</i>
1131	Code list qualifier	R	an..3	<i>Code list specifying the healthcare registration identification</i> +"900" = National GP code
3055	Code list responsible agency, coded	N	an..3	
C058	NAME AND ADDRESS	N		
3124	Name and address line	N	an..35	
3124	Name and address line	N	an..35	
3124	Name and address line	N	an..35	
3124	Name and address line	N	an..35	
3124	Name and address line	N	an..35	
C080	PARTY NAME	N		
3036	Party name	N	an..35	
3036	Party name	N	an..35	
3036	Party name	N	an..35	
3036	Party name	N	an..35	
3036	Party name	N	an..35	
3045	Party name format, coded	N	an..3	
C059	STREET	N		
3042	Street and number/P.O. Box	N	an..35	
3042	Street and number/P.O. Box	N	an..35	
3042	Street and number/P.O. Box	N	an..35	
3164	CITY NAME	N	an..35	
3229	COUNTRY SUB-ENTITY IDENTIFICATION	N	an..9	
3251	POSTCODE IDENTIFICATION	N	an..9	
3207	COUNTRY, CODED	N	an..3	

**NAD NAME AND ADDRESS**

Function: To identify relevant parties.

Usage: Dependent, 0-1 repetitions.

Comments: This repetition may be used to carry the Sender details for file type "SL".

Not used for file type "GP".

No	Data Element	Usage	Repr.	Value/Description/Dependency rules
3035	PARTY QUALIFIER	M	an..3	<i>Code for type of healthcare party</i> +"SND" = Sender of test
C082	PARTY IDENTIFICATION DETAILS	O		
3039	Party id identification	M	an..17	<i>Sender code</i>
1131	Code list qualifier	R	an..3	<i>Code list specifying the healthcare registration identification</i> "ZZZ" = Mutually defined
3055	Code list responsible agency, coded	N	an..3	
C058	NAME AND ADDRESS	N		
3124	Name and address line	N	an..35	
3124	Name and address line	N	an..35	
3124	Name and address line	N	an..35	
3124	Name and address line	N	an..35	
3124	Name and address line	N	an..35	
C080	PARTY NAME	O		
3036	Party name	M	an..35	<i>Sender name</i>
3036	Party name	N	an..35	
3036	Party name	N	an..35	
3036	Party name	N	an..35	
3036	Party name	N	an..35	
3045	Party name format, coded	N	an..3	
C059	STREET	N		
3042	Street and number/P.O. Box	N	an..35	
3042	Street and number/P.O. Box	N	an..35	
3042	Street and number/P.O. Box	N	an..35	
3164	CITY NAME	N	an..35	
3229	COUNTRY SUB-ENTITY IDENTIFICATION	N	an..9	
3251	POSTCODE IDENTIFICATION	N	an..9	

3207	COUNTRY, CODED	N	an..3	
------	----------------	---	-------	--



**FTX            FREE TEXT**

**Function:**    To specify free text.

**Usage:**        0-2 repetitions.

**Comments:**    There are 2 different usages of this segment as follows:

                  Comments for file type “SL”  
                  Patient’s notes for file type “SL”.

**FTX            FREE TEXT**

Function:        To specify free text.

Usage:            Dependent, 0-1 repetitions.

Comments:        This repetition may be used to carry the Comments for file type “SL” .

                      Not used for file type “GP”.

No	Data Element	Usage	Repr.	Value/Description/Dependency rules
4451	TEXT SUBJECT QUALIFIER	M	an..3	<i>Code identifying the type of text</i> +”COM” = General comments
4453	TEXT FUNCTION, CODED	N	an..3	
C107	TEXT REFERENCE	N		
4441	Free text, coded	N	an..3	
1131	Code list qualifier	N	an..3	
3055	Code list responsible agency, coded	N	an..3	
C108	TEXT LITERAL	R		
4440	Free text	M	an..70	<i>The first 70 characters of the comments</i>
4440	Free text	O	an..70	<i>The remaining characters of the comments</i>
4440	Free text	N	an..70	
4440	Free text	N	an..70	
4440	Free text	N	an..70	
3453	LANGUAGE, CODED	N	an..3	

**FTX        FREE TEXT**

Function:     To specify free text.

Usage:        Dependent, 0-1 repetitions.

Comments:    This repetition may be used to carry patient's notes for file type "SL".

               Not used for file type "GP".

No	Data Element	Usage	Repr.	Value/Description/Dependency rules
4451	TEXT SUBJECT QUALIFIER	M	an..3	<i>Code identifying the type of text</i> +"PTN" = Patient notes
4453	TEXT FUNCTION, CODED	N	an..3	
C107	TEXT REFERENCE	N		
4441	Free text, coded	N	an..3	
1131	Code list qualifier	N	an..3	
3055	Code list responsible agency, coded	N	an..3	
C108	TEXT LITERAL	R		
4440	Free text	M	an..70	<i>The first 70 characters of the patient notes</i>
4440	Free text	O	an..70	<i>The second 70 characters of the patient notes</i>
4440	Free text	O	an..70	<i>The remaining characters of the patient notes</i>
4440	Free text	N	an..70	
4440	Free text	N	an..70	
3453	LANGUAGE, CODED	N	an..3	

**Segment Group 2: S02-PNA**

**Function:** To provide personal information about patients.

**Usage:** 1 repetition.

**Comments:** This segment group is used to carry the patient's NHS number.

**+S02 TRIGGER SEGMENT SG2**

Function: Trigger segment for segment group number 2 in a message.

Usage: Mandatory.

Comments:

No	Data Element	Usage	Repr.	Value/Description/Dependency rules
+C851	SEGMENT GROUP USAGE DETAILS	R		
+9811	Segment group usage, coded	R	an..3	<i>Code to indicate usage of the segment</i> +"2" = Segment group 2
1131	Code list qualifier	N	an..3	
3055	Code list responsible agency, coded	N	an..3	
+9810	Segment group usage	N	an..70	

**+PNA PERSON NAME**

Function: To specify information necessary to establish the identity of the patient.

Usage: Required, 1 repetition.

Comments: This repetition is used to carry the patient's NHS number.

No	Data Element	Usage	Repr.	Value/Description/Dependency rules
3035	PARTY QUALIFIER	M	an..3	<i>Code identifying the party</i> "PAT" = Patient
C206	IDENTIFICATION NUMBER	R		
7402	Identity number	M	an..35	<i>NHS number</i>
7405	Identity number qualifier	R	an..3	+ "OPT" = Official patient identification
+3797	NAME TYPE, CODED	N	an..3	
+3799	NAME STATUS, CODED	N	an..3	
+C816	NAME COMPONENT DETAILS	N		
+3835	Name component qualifier	N	an..3	
+3836	Name component	N	an..70	
+3839	Name component status, coded	N	an..3	
+3841	Name component original representation, coded	N	an..3	
+C816	NAME COMPONENT DETAILS	N		
+3835	Name component qualifier	N	an..3	
+3836	Name component	N	an..70	
+3839	Name component status, coded	N	an..3	
+3841	Name component original representation, coded	N	an..3	
+C816	NAME COMPONENT DETAILS	N		
+3835	Name component qualifier	N	an..3	
+3836	Name component	N	an..70	
+3839	Name component status, coded	N	an..3	
+3841	Name component original representation, coded	N	an..3	
+C816	NAME COMPONENT DETAILS	N		
+3835	Name component qualifier	N	an..3	
+3836	Name component	N	an..70	
+3839	Name component status, coded	N	an..3	
+3841	Name component original representation, coded	N	an..3	

+C816	NAME COMPONENT DETAILS	N		
+3835	Name component qualifier	N	an..3	
+3836	Name component	N	an..70	
+3839	Name component status, coded	N	an..3	
+3841	Name component original representation, coded	N	an..3	

**Segment Group 3: S03-TST-EPI-DTM**

**Function:** To provide current health information.

**Usage:** 0-1 repetitions.

**Comments:** This segment group may be used to convey general and clinical screening information about a patient.



**+S03 TRIGGER SEGMENT SG3**

Function: Trigger segment for segment group number 3 in a message.

Usage: Mandatory.

Comments:

No	Data Element	Usage	Repr.	Value/Description/Dependency rules
+C851	SEGMENT GROUP USAGE DETAILS	R		
+9811	Segment group usage, coded	R	an..3	<i>Code to indicate usage of the segment</i> +"3" = Segment group 3
1131	Code list qualifier	N	an..3	
3055	Code list responsible agency, coded	N	an..3	
+9810	Segment group usage	N	an..70	

**+TST TEST RESULTS**

Function: To specify test results.

Usage: Dependent, 0-1 repetitions.

Comments: This repetition may be used to carry the latest test result for file type "SL".

Not used for file type "GP".

No	Data Element	Usage	Repr.	Value/Description/Dependency rules
+9520	TEST RESULTS QUALIFIER	M	an..3	<i>Code for type of test</i> +"SMT" = Smear test
+C975	TEST RESULT	N		
+9511	Test result, coded	N	an..3	
1131	Code list qualifier	N	an..3	
3055	Code list responsible agency, coded	N	an..3	
+C976	SAMPLE IDENTIFIER	N		
+9513	Sample type qualifier	N	an..3	
+9514	Sample identification	N	an.17	
+C977	TEST INFORMATION	N		
+9515	Test, coded	N	an..3	
1131	Code list qualifier	N	an..3	
3055	Code list responsible agency, coded	N	an..3	
+9516	Test	N	an..35	
+9512	TEST RESULT, TEXT	R	an..35	<i>Test Result Expansion</i>

**+EPI EPISODE STATUS**

Function: To specify status of an episode.

Usage: Dependent, 0-1 repetitions.

Comments: This repetition may be used to carry the Recall type for file type "GP".

Not used for file type "SL".

No	Data Element	Usage	Repr.	Value/Description/Dependency rules
+9518	EPISODE STATUS QUALIFIER	M	an..3	<i>Code for type of status</i> +"RTP" = Recall type
+C971	STATUS	R		
+9502	Status, coded	R	an..3	<i>Recall type</i>
1131	Code list qualifier	R	an..3	<i>Code list specifying the status codes</i> "ZZZ" = Mutually defined
3055	Code list responsible agency, coded	N	an..3	
+9503	Status	N	an..35	
+C972	AUTHORISATION	N		
+9504	Authorisation, coded	N	an..3	
1131	Code list qualifier	N	an..3	
3055	Code list responsible agency, coded	N	an..3	
+9505	Authorisation	N	an..35	

**DTM            DATE/TIME/PERIOD**

**Function:**    To specify relevant dates.

**Usage:**        0-2 repetitions.

**Comments:**    There are 3 possible usages of this segment depending on file type as follows:

                  Suspension date for file type "SL"

                  Test date for file type "SL"

                  Recall date for file type "GP".

**DTM            DATE/TIME/PERIOD**

Function:        To specify relevant dates.

Usage:            Dependent, 1 repetition.

Comments:        This repetition must be used to carry the Suspension date for file type “SL”.  
                       Not used for file type “GP”.

No	Data Element	Usage	Repr.	Value/Description/Dependency rules
C507	DATE/TIME/PERIOD	M		
2005	Date/time/period qualifier	M	an..3	<i>Code for type of date</i> +’971’ =            Suspension date
2380	Date/time/period	R	an..35	<i>Suspension date</i>
2379	Date/time/period format qualifier	R	an..3	<i>Code for format of date</i> “102” =            CCYYMMDD

**DTM            DATE/TIME/PERIOD**

Function:        To specify relevant dates.

Usage:            Dependent, 0-1 repetitions.

Comments:        This repetition may be used to carry the Test date for file type “SL”.  
                       Not used for file type “GP”.

No	Data Element	Usage	Repr.	Value/Description/Dependency rules
C507	DATE/TIME/PERIOD	M		
2005	Date/time/period qualifier	M	an..3	<i>Code for type of date</i> "119" =        Test performed date
2380	Date/time/period	R	an..35	<i>Test date</i>
2379	Date/time/period format qualifier	R	an..3	<i>Code for format of date</i> "102" =        CCYYMMDD

**DTM            DATE/TIME/PERIOD**

Function:        To specify relevant dates.

Usage:            Dependent, 0-1 repetitions.

Comments:        This repetition may be used to carry the Recall date for file type “GP”.

                    Not used for file type “SL”.

No	Data Element	Usage	Repr.	Value/Description/Dependency rules
C507	DATE/TIME/PERIOD	M		
2005	Date/time/period qualifier	M	an..3	<i>Code for type of date</i> +’966’ =        Date of recall
2380	Date/time/period	R	an..35	<i>Recall date</i>
2379	Date/time/period format qualifier	R	an..3	<i>Code for format of date</i> “102” =        CCYYMMDD

**UNT MESSAGE TRAILER**

Function: To end and check the completeness of a message.

Usage: Mandatory.

Comments:

No	Data Element	Usage	Repr.	Value/Description/Dependency rules
0074	NUMBER OF SEGMENTS IN A MESSAGE	M	n..6	<i>Count of number of segments in the message.</i>
0062	MESSAGE REFERENCE NUMBER	M	an..14	<i>Sender's unique message reference number.</i>



## 7 EDIFACT Reference Directory

### 7.1 Formal definition of composites

#### Listing of composites by Tag

C002	DOCUMENT/MESSAGE NAME
C058	NAME AND ADDRESS
C059	STREET
C080	PARTY NAME
C082	PARTY IDENTIFICATION DETAILS
C107	TEXT REFERENCE
C108	TEXT LITERAL
*C186	QUANTITY DETAILS
C206	IDENTIFICATION NUMBER
C506	REFERENCE
C507	DATE/TIME/PERIOD
+C816	NAME COMPONENT DETAILS
+C848	MEASUREMENT UNIT DETAILS
+C851	SEGMENT GROUP USAGE DETAILS
+C971	STATUS
+C972	AUTHORISATION
+C975	TEST RESULT
+C976	SAMPLE IDENTIFIER
+C977	TEST INFORMATION

Composite specifications**C002 DOCUMENT/MESSAGE NAME**

Desc: Identification of a type of document/message by code or name.

1001	Document/message name,coded	C	an..3
1131	Code list qualifier	C	an..3
3055	Code list responsible agency, coded	C	an..3
1000	Document/message name	C	an..35

**C058 NAME AND ADDRESS**

Desc: Unstructured name and address: one to five lines.

3124	Name and address line	M	an..35
3124	Name and address line	C	an..35
3124	Name and address line	C	an..35
3124	Name and address line	C	an..35
3124	Name and address line	C	an..35

**C059 STREET**

Desc: Street address and/or P.O.Box number in a structured address: one to three lines.

3042	Street and number/P.O. Box	M	an..35
3042	Street and number/P.O. Box	C	an..35
3042	Street and number/P.O. Box	C	an..35

**C080 PARTY NAME**

Desc: Identification of a transaction party by name, one to five lines. Party name may be formatted.

3036	Party name	M	an..35
3036	Party name	C	an..35
3036	Party name	C	an..35
3036	Party name	C	an..35
3036	Party name	C	an..35
3045	Party name format, coded	C	an..3

**C082 PARTY IDENTIFICATION DETAILS**

Desc: Identification of a transaction party by code.

3039	Party identification	M	an..17
1131	Code list qualifier	C	an..3
3055	Code list responsible agency, coded	C	an..3

**C107 TEXT REFERENCE**

Desc: Coded reference to a standard text and its source.

4441	Free text, coded	M	an..3
1131	Code list qualifier	C	an..3
3055	Code list responsible agency, coded	C	an..3

**C108 TEXT LITERAL**

Desc: Free text: one to five lines.

4440	Free text	M	an..70
4440	Free text	C	an..70
4440	Free text	C	an..70
4440	Free text	C	an..70
4440	Free text	C	an..70

**\*C186 QUANTITY DETAILS**

Desc: Quantity information in a transaction, qualified when relevant.

6063	Quantity qualifier	M	an..3
*6060	Quantity	M	an..15

**C206 INDENTIFICATION NUMBER**

Desc: The identification of an object.

7402	Identity number	M	an..35
7405	Identity number qualifier	C	an..3

**C506 REFERENCE**

Desc: Identification of a reference.

1153	Reference qualifier	M	an..3
1154	Reference number	C	an..35
1156	Line number	C	an..6
4000	Reference version number	C	an..35

**C507 DATE/TIME/PERIOD**

Desc: Date and/or time, or period relevant to the specified date/time/period type.

2005	Date/time/period qualifier	M	an..3
2380	Date/time/period	C	an..35
2379	Date/time/period format qualifier	C	an..3

**+C816 NAME COMPONENT DETAILS**

Desc: To specify a name component

+3835	Name component qualifier	M	an..3
+3836	Name component	C	an..70
+3839	Name component status, coded	C	an..3
+3841	Name component original representation, coded	C	an..3

**+C848 MEASUREMENT UNIT DETAILS**

Desc: To specify a measurement unit.

*6411	Measurement unit identification	C	an..17
1131	Code list qualifier	C	an..3
3055	Code list responsible agency, coded	C	an..3
+6410	Measurement unit	C	an..35

**+C851 SEGMENT GROUP USAGE DETAILS**

Desc: To describe the actual usage of a segment group in a message.

+9811	Segment group usage, coded	C	an..3
1131	Code list qualifier	C	an..3
3055	Code list responsible agency, coded	C	an..3
+9810	Segment group usage	C	an..70

**+C971 STATUS**

Desc: To identify the status of a particular entity

+9502	Status, coded	C	an..3
1131	Code list qualifier	C	an..3
3055	Code list responsible agency, coded	C	an..3
+9503	Status	C	an..35

**+C972 AUTHORISATION**

Desc: Identify who/what authorised an action

+9504	Authorisation, coded	C	an..3
1131	Code list qualifier	C	an..3
3055	Code list responsible agency, coded	C	an..3
+9505	Authorisation	C	an..35

**+C975 TEST RESULT**

Desc: Identifies the result of a test.

+9511	Test result, coded	M	an..3
1131	Code list qualifier	C	an..3
3055	Code list responsible agency, coded	C	an..3

**+C976 SAMPLE IDENTIFIER**

Desc: A sample type and identification.

+9513	Sample type qualifier	M	an..3
+9514	Sample identification	M	an..17

**+C977 TEST INFORMATION**

Desc: To describe a test.

+9515	Test, coded	C	an..3
1131	Code list qualifier	C	an..3
3055	Code list responsible agency, coded	C	an..3
+9516	Test	C	an..35

## 7.2 Formal definition of data elements

### Listing of data elements by Tag

1000	Document/message name
1001	Document/message name, coded
1004	Document/message number
1131	Code list qualifier
1153	Reference qualifier
1154	Reference number
1156	Line number
1225	Message function, coded
2005	Date/time/period qualifier
2379	Date/time/period format qualifier
2380	Date/time/period
3035	Party qualifier
3036	Party name
3039	Party id identification
3042	Street and number/P.O. Box
3045	Party name format, coded
3055	Code list responsible agency, coded
3124	Name and address line
3164	City name
3207	Country, coded
3229	Country sub-entity identification
3251	Postcode identification
3453	Language, coded
+3797	Name type, coded
+3799	Name status, coded
+3835	Name component qualifier
+3836	Name component
+3839	Name component status, coded
+3841	Name component original representation, coded
4000	Reference version number
4343	Response type, coded
4440	Free text
4441	Free text, coded
4451	Text subject qualifier
4453	Text function, coded
*6060	Quantity
6063	Quantity qualifier
+6410	Measurement unit
*6411	Measurement unit identification
7402	Identity number
7405	Identity number qualifier
+9502	Status, coded
+9503	Status
+9504	Authorisation, coded
+9505	Authorisation
+9511	Test result, coded
+9512	Test result, text
+9513	Sample type qualifier
+9514	Sample identification
+9515	Test, coded
+9516	Test
+9518	Episode status qualifier
+9520	Test results qualifier
+9810	Segment group usage
+9811	Segment group usage, coded

Data element specifications

- 1000 Document/message name**  
Desc: Plain language identifier specifying the function of a document/message.  
Repr: an..35
- 1001 Document/message name, coded**  
Desc: Document/message identifier expressed in code.  
Repr: an..3
- 1004 Document/message number**  
Desc: Reference number assigned to the document/message by the issuer.  
Repr: an..35
- 1131 Code list qualifier**  
Desc: Identification of a code list.  
Repr: an..3
- 1153 Reference qualifier**  
Desc: Code giving specific meaning to a reference segment or a reference number.  
Repr: an..3
- 1154 Reference number**  
Desc: Identification number the nature and function of which can be qualified by an entry in data element 1153 Reference qualifier.  
Repr: an..35
- 1156 Line number**  
Desc: Number of the line in the document/message referenced in 1154 Reference number.  
Repr: an..6
- 1225 Message function, coded**  
Desc: Code indicating the function of the message.  
Repr: an..3
- 2005 Date/time/period qualifier**  
Desc: Code giving specific meaning to a date,time or period.  
Repr: an..3
- 2379 Date/time/period format qualifier**  
Desc: Specification of the representation of a date, a date and time or of a period.  
Repr: an..3
- 2380 Date/time/period**  
Desc: The value of a date, a date and time, a time or period in a specified representation.  
Repr: an..35
- 3035 Party qualifier**  
Desc: Code giving specific meaning to a party.  
Repr: an..3
- 3036 Party name**  
Desc: Name of a party involved in a transaction.  
Repr: an..35

- 3039 Party id identification**  
Desc: Code identifying a party involved in a transaction.  
Repr: an..17
- 3042 Street and number/P.O. Box**  
Desc: Street and number in plain language, or Post Office Box number.  
Repr: an..35
- 3045 Party name format, coded**  
Desc: Specification of the representation of a party name.  
Repr: an..3
- 3055 Code list responsible agency, coded**  
Desc: Code identifying the agency responsible for a code list.  
Repr: an..3
- 3124 Name and address line**  
Desc: Free form name and address description.  
repr: an..35
- 3164 City name**  
Desc: Name of a city (a town, a village) for addressing purposes.  
Repr: an..35
- 3207 Country, coded**  
Desc: Identification of the name of a country or other geographical entity as specified.  
Repr: an..3
- 3229 Country sub-entity identification**  
Desc: Identification of the name of sub-entities (state, province) defined by appropriate governmental agencies.  
Repr: an..9
- 3251 Postcode identification**  
Desc: Code defining postal zones or addresses.  
Repr: an..9
- 3453 Language, coded**  
Desc: Code of language (ISO 639-1988)  
Repr: an..3
- +3797 Name type, coded**  
Desc: Code for type of name such as official name, alias  
Repr: an..3
- +3799 Name status, coded**  
Desc: To specify the status of a name (such as current name)  
Repr: an..3
- +3835 Name component qualifier**  
Desc: To indicate a part of the name such as family name or given name.  
Repr: an..3
- +3836 Name component**  
Desc: Part of party name such as family name or given name.  
Repr: an..70
- +3839 Name component status, coded**  
Desc: To specify the status of a name component.



- Repr: an..3
- +3841 Name component original representation, coded**  
Desc: To specify the alphabet originally used to represent the name.  
Repr: an..3
- 4000 Reference version number**  
Desc: To uniquely identify a reference by its revision number.  
Repr: an..35
- 4343 Response type, coded**  
Desc: Code specifying the type of acknowledgement required.  
Repr: an..3
- 4440 Free text**  
Desc: Free text field available to the message sender for information.  
Repr: an..70
- 4441 Free text, coded**  
Desc: Free text in coded form.  
Repr: an..3
- 4451 Text subject qualifier**  
Desc: Code specifying subject of a free text.  
Repr: an..3
- 4453 Text function, coded**  
Desc: Code specifying how to handle the text.  
Repr: an..3
- \*6060 Quantity**  
Desc: Numeric value of a quantity.  
Repr: an..15
- 6063 Quantity qualifier**  
Desc: Code giving specific meaning to a quantity.  
Repr: an..3
- +6410 Measurement unit**  
Desc: Specification of unit as free text  
Repr: an..35
- \*6411 Measurement unit identification**  
Desc: Specification of unit of measurement using code  
Repr: an..17
- 7402 Identity number**  
Desc: A value given to an object for identification purposes.  
Repr: an..35
- 7405 Identity number qualifier**  
Desc: Code specifying the type/source of the product identification number.  
Repr: an..3
- +9502 Status, coded**  
Desc: To identify the action on/status of a particular entity.  
Repr: an..3

- +9503 Status**  
Desc: Description of the status of a particular entity.  
Repr: an..35
- +9504 Authorisation, coded**  
Desc: Identify who/what authorised an action.  
Repr: an..3
- +9505 Authorisation**  
Desc: Specification of authorisation as free text.  
Repr: an..35
- +9511 Test result, coded**  
Desc: To identify the result of a test.  
Repr: an..3
- +9512 Test result, text**  
Desc: To describe the results of a test.  
Repr: an..35
- +9513 Sample type qualifier**  
Desc: Specifies the type of sample.  
Repr: an..3
- +9514 Sample identification**  
Desc: To identify a sample.  
Repr: an..17
- +9515 Test, coded**  
Desc: To identify a test.  
Repr: an..3
- +9516 Test**  
Desc: Description of a test.  
Repr: an..35
- +9518 Episode status qualifier**  
Desc: Gives specific meaning to the status of an episode.  
Repr: an..3
- +9520 Test results qualifier**  
Desc: Gives specific meaning to a test result.  
Repr: an..3
- +9810 Segment group usage**  
Desc: To describe the actual usage of a segment group in a message.  
Repr: an..70
- +9811 Segment group usage, coded**  
Desc: To specify the usage of a segment group in a message as a code.  
Repr: an..3

**7.3 Data element code values****1131 Code list qualifier**

+900 National GP  
+954 FHSA  
ZZZ Mutually defined

**1153 Reference qualifier**

+959 Transaction/record/file type

**1225 Message function, coded**

+11 FHSA/GP - Cervical screening GP and Suspend Lists

**2005 Date/time/period qualifier**

119 Test performed date  
137 Document/message date/time  
+966 Date of recall  
+971 Suspension date

**2379 Date/time/period format qualifier**

102 CCYYMMDD  
203 CCYYMMDDHHMM

**3035 Party qualifier**

+FHS FHSA  
+GP GP  
+PAT Patient  
+SND Sender of test

**4451 Text subject qualifier**

+COM Comments  
+PTN Patient notes

**6063 Quantity qualifier**

+953 Number of patients

**7405 Identity number, coded**

+OPI Official patient identification

**+9518 Episode status qualifier**

+RTP Recall type

**+9520 Test results qualifier**

+SMT Smear test

**+9811 Segment group usage, coded**

+1 Segment group 1  
+2 Segment group 2  
+3 Segment group 3



***EDIFACT MESSAGE  
IMPLEMENTATION GUIDELINES  
FHSREG:0:1:FH:FHS002***

***Version Number: 1.3  
Issue Date: 30<sup>th</sup> September 1999***

Message Type : FHSREG  
Version : 0  
Release : 1  
Controlling Agency : FH  
Assoc Assigned Code : FHS002

© Crown Copyright 2016

NHS Digital  
Hexagon House  
P.O. Box 78  
78315  
Pynes Hill  
410417  
Rydon Lane  
Exeter  
EX2 5SE

Telephone:  
Exeter (01392)  
Fax (01392)

*AMENDMENT HISTORY*

<u>Version:</u>	<u>Date Issued:</u>	<u>Brief Summary of Change:</u>	<u>Owner's Signature:</u>
1.0	18.07.95	First published version	
1.1	23.01.96	Code list amended for local GP codes	
1.2	04.08.99	Usage amended to Pathology only	
1.3	30.09.99	Changes to HEA and NAD segments	

*DISTRIBUTION LIST*

**Owner:** *MediFACT Product Manager*

	<u>Name:</u>	<u>Title:</u>
1.		MediFACT Product Manager
2.	Liam Quigley	Project Manager, Preventative Health
3.		
4.		
5.		
6.		
7.		
8.		
9.		
10.		

This is a Controlled Document. On receipt of a new version, destroy all previous versions.

## CONTENTS

- 1 Introduction
  
- 2 Scope
  - 2.1 Functional Definition
  - 2.2 Field of application
  - 2.3 Principles
  
- 3 References
  
- 4 Terms and Definitions
  
- 5 Message Structure
  - 5.1 Branching Diagram
  - 5.2 Segment Table
  
- 6 Segment Details
  - 6.1 Format and Notation
    - 6.1.1 Format
    - 6.1.2 Notation
  - 6.2 Segment Definitions
  
- 7 EDIFACT Reference Directory
  - 7.1 Formal definition of composites
  - 7.2 Formal definition of data elements

## 1 Introduction

This document provides implementation guidelines for the EDIFACT message FHSREG:0:1:FH:FHS002, to be used for the transfer of patient registration information within the Health Service.

This message is a subset of the EDIFACT message FHSREG:0:1:FH.

## 2 Scope

### 2.1 Functional Definition

An FHSREG:0:1:FH:FHS002 message is used to transfer information on patient registration changes from an HA to a Pathology Laboratory, to transfer requests for Patient Identity Details (PID data) from a Pathology Laboratory to an HA, or to transfer PID data from an HA to a Pathology Laboratory.

### 2.2 Field of application

The message may be used by HAs and Pathology Laboratories.

### 2.3 Principles

A single message may be used to transfer one of the following:

- Information relating to one or more patients, to be transferred from an HA to a Pathology Laboratory.
- One or more requests for PID data, to be transferred from a Pathology Laboratory to an FHSA.

## 3 References

See UNTDID, Part 4, Section 2.5, UN/ECE UNSM General Introduction, Section 1.

## 4 Terms and Definitions

See UNTDID, Part 4, Section 2.5, UN/ECE UNSM General Introduction, Section 2.



## 5 Message Structure

### 5.1 Data segment clarification

This section should be read in conjunction with the branching diagram and segment table which indicate mandatory, conditional and repeating requirements.

This subset does not include those groups and segments which are conditional in the EDIFACT message FHSREG:0:1:FH and are not required in this implementation.

All segments, composites and data elements (except those marked as additions) are taken from the UN/EDIFACT D.93A directory.

#### **UNH Message header**

A service segment starting and uniquely identifying a message. The full message type identifier is FHSREG:0:1:FH:FHS002.

#### **BGM Beginning of message**

A segment to identify the datatype and the transfer number.

#### **NAD Name and address**

A segment specifying the sender, recipient, and other health bodies relating to the whole message.

#### **DTM Date/time/period**

A segment specifying the translation date and time.

#### **RFF Reference**

A segment identifying the lab file reference number.

#### **\*QTY Quantity**

A segment specifying the total number of patients for whom details are transferred, and the lower and upper limits of an age range.

#### **+HEA Health information**

A segment to identify items of health information relating to the whole message.

#### **FTX Free text**

A segment specifying acceptance or rejection of a request for PID data.

#### **Segment Group 1: S01-RFF-NAD-HEA-DTM-FTX-SG2**

A group of segments providing patient registration details or requests for PID data.

##### **+S01 Trigger segment SG1**

Trigger segment for segment group 1 in the message.

##### **NAD Name and address**

A segment specifying identification, name, and address details of various healthcare parties.

##### **+HEA Health information**

A segment specifying items of health information.

##### **DTM Date/time/period**

A segment specifying date of registration change and date of recall.

**FTX Free text**

A segment to transfer details of matching method and free text patient notes.

**Segment Group 2: S02-PNA-DTM-PDI-NAD**

A group of segments providing personal information about a patient.

**+S02 Trigger segment S02**

Trigger segment for segment group 2 in the message.

**+PNA Person name**

A segment identifying the patient by specifying various name details and identification numbers.

**DTM Date/time/period**

A segment specifying patient's date of birth.

**+PDI Person demographic information**

A segment specifying the patient's sex.

**NAD Name and address**

A segment specifying the patient's address.

**Segment Group 3: S03-RFF-NAD-HEA-DTM-FTX**

A group of segments providing information on a patient's test history.

**+S03 Trigger segment SG3**

Trigger segment for segment group 3 in the message.

**RFF Reference**

A segment specifying the laboratory slide number.

**NAD Name and address**

A segment specifying identification, name, and address details of various healthcare parties.

**+HEA Health information**

A segment specifying items of health information.

**DTM Date/time/period**

A segment specifying the repeat period and date of test.

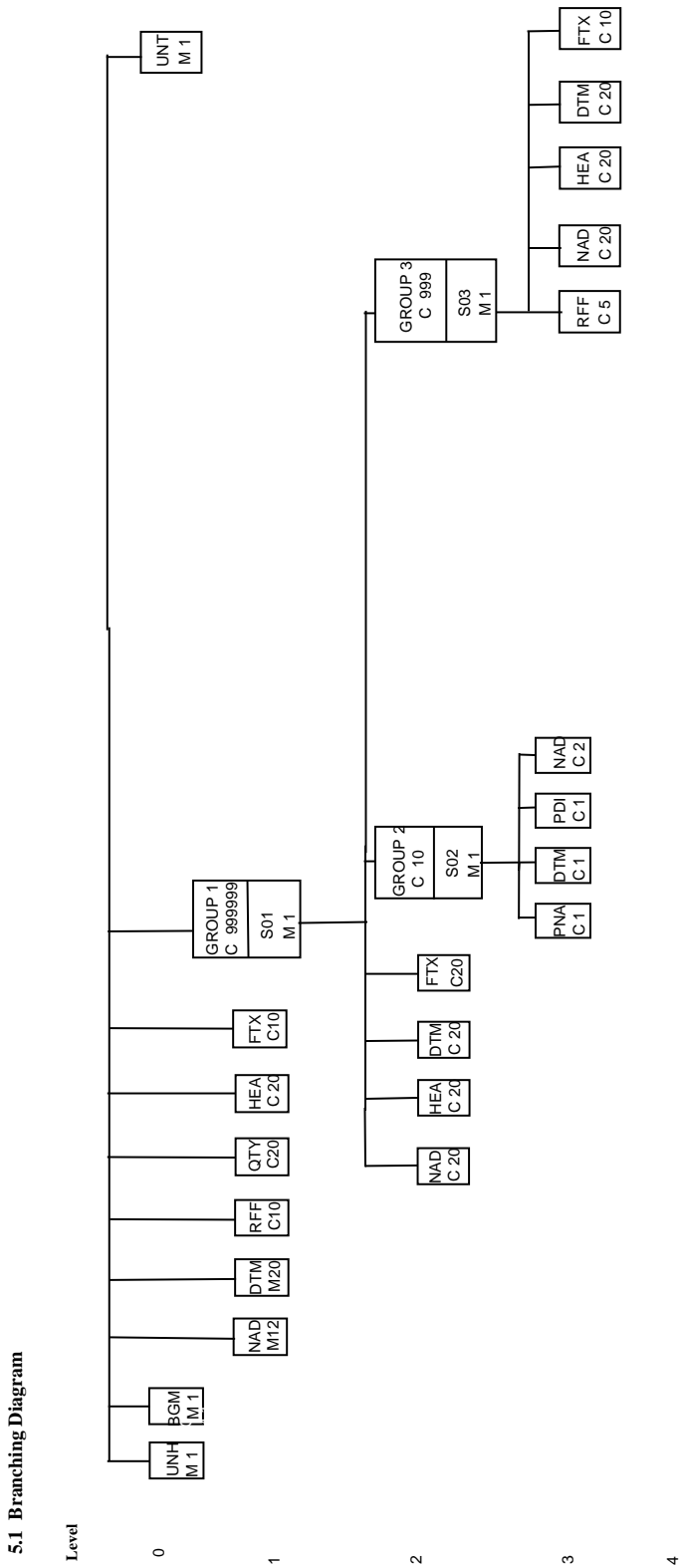
**FTX Free text**

A segment to transfer free text comments relating to a test.

**UNT Message trailer**

A service segment ending a message, giving total number of segments in the message and the control reference number of the message.

## 5.2 Branching Diagram



### 5.3 Segment Table

<b>UNH</b>	Message Header	M	1
<b>BGM</b>	Beginning of Message	M	1
<b>NAD</b>	Name and Address	M	12
<b>DTM</b>	Date/time/period	M	20
<b>RFF</b>	Reference	C	10
<b>*QTY</b>	Quantity	C	20
<b>+HEA</b>	Health Information	C	20
<b>FTX</b>	Free Text	C	10
Segment Group 1	----- C	999999	-----+
<b>+S01</b>	Trigger Segment SG1	M	1
<b>NAD</b>	Name and Address	C	20
<b>+HEA</b>	Health Information	C	20
<b>DTM</b>	Date/time/period	C	20
<b>FTX</b>	Free Text	C	10
Segment Group 2	----- C	10	-----+
<b>+S02</b>	Trigger Segment SG2	M	1
<b>+PNA</b>	Person Name	C	1
<b>DTM</b>	Date/time/period	C	1
<b>+PDI</b>	Person Demographic Information	C	1
<b>NAD</b>	Name and Address	C	2 --+
Segment Group 3	----- C	999	-----+
<b>+S03</b>	Trigger Segment SG3	M	1
<b>RFF</b>	Reference	C	5
<b>NAD</b>	Name and Address	C	20
<b>+HEA</b>	Health Information	C	20

<b>DTM</b>	Date/time/period	C	20	
<b>FTX</b>	Free Text	C	10	-----+
<b>UNT</b>	Message Trailer	M	1	

## 6 Segment Details

### 6.1 Format and Notation

#### 6.1.1 Format

The format of each segment page follows the structure defined below:

- a) Segment tag and segment name.
- b) General function of the segment.
- c) Usage of the segment, indicating whether the segment is mandatory or conditional (see 6.1.2 Notation), and the maximum number of repetitions allowed for the segment (if more than one) in the context of its position within the message.
- d) Comments on the usage of the segment, including any dependency rules for the segment.
- e) A table for the segment, containing the following columns:

**No** - The data element or composite number within the segment

**Data element** - The name of the data element or composite

**Usage** - Usage of the data element (see 6.1.2 Notation)

**Repr.** - Representation of the data element, indicating whether the data element may be alphabetic only, numeric only or alphanumeric and indicating the maximum length of the data or its fixed length

**Value/Description/Dependency rules** - *Italic text* describes the data to be used for that data element, normal text is used to list possible code values for the data element, and underlined text indicates dependency rules for the data element.

Before the definition of each segment group there is a segment group initial page. This identifies the segments within the segment group and the function, usage and comments on usage in the same way as defined above for each segment.

### 6.1.2 Notation

The following usage indicators are used for segments, segment groups, data elements and composites :

<b>M (Mandatory)</b>	Mandatory in the message definition, must be mandatory in the message implementation guidelines.
<b>R (Required)</b>	Conditional in the message definition, use is required in the message implementation guidelines.
<b>A (Advised)</b>	Conditional in the message definition, use is recommended in the message implementation guidelines.
<b>D (Dependent)</b>	Conditional in the message definition, use is dependent in the message implementation guidelines under certain conditions which will be described.
<b>O (Optional)</b>	Conditional in the message definition, use is optional in the message implementation guidelines.
<b>N (Not used)</b>	Conditional in the message definition, should not be used in the message implementation guidelines.

"+" in front of a segment tag, composite, data element or code value indicates that this is a new item and not found within the EDIFACT D.93A directory.

"\*" in front of a segment tag, composite, data element or code value indicates that this is a modified item compared with the item found within the EDIFACT D.93A directory.

Within the DTM (Date/time/period) segment, the values of the codes for Date/time/period qualifier represent the following (the difference between Month and Minute being easily recognised in context):

CC	=	Century
YY	=	Year
MM	=	Month
DD	=	Day
HH	=	Hour
MM	=	Minute
SS	=	Second

### Datatypes

This MIG document specifies the EDIFACT message for the transfer of 4 types of data. Only one type of data may be transferred in each message, as identified by the Datatype held in the BGM segment. The datatype codes are also used in the segment implementation guidelines (section 6.2) to describe dependency rules for each type of data. The datatypes used in this message are:

152	PID data (HA to Pathology Laboratory)
153	Individual PID Request, for one or more specified patients (Pathology Laboratory to HA)
154	Group PID Request, for patients meeting supplied selection criteria (Pathology Laboratory to HA)
242	Registration Changes (HA to Pathology Laboratory)



## 6.2 Segment Definitions

### UNH MESSAGE HEADER

Function: To head, identify and specify a message.

Usage: Mandatory

Comments:

No	Data Element	Usage	Repr.	Value/Description/Dependency rules
0062	MESSAGE REFERENCE NUMBER	M	an..14	<i>Message Sequence Number</i> Sequential, 00000001 to 99999999
S009	MESSAGE IDENTIFIER	M		
0065	Message type	M	an..6	<i>Identification of the type of message being transmitted</i> "FHSREG" = Registration
0052	Message version number	M	an..3	<i>Identification of the version number of the message</i> "0" = Version number of the registration message
0054	Message release number	M	an..3	<i>Identification of the release number of the message type within the current version</i> "1" = Release number within the current version number
0051	Controlling Agency	M	an..2	<i>Identification of the agency controlling the specification, maintenance and publication of the message type</i> "FH" = FHSCU
0057	Association assigned code	R	an..6	<i>A code identifying the Message Implementation Guidelines for the message type</i> "FHS002" = Preventative Health Registration Details
0068	COMMON ACCESS REFERENCE	N	an..35	
S010	STATUS OF THE TRANSFER	N		
0070	Sequence of transfers	N	n..2	
0073	First and last transfer	N	a1	

**BGM BEGINNING OF MESSAGE**

Function: To identify the datatype and the transfer number.

Usage: Mandatory

Comment: This segment is used to transfer a datatype code, and a transfer number to uniquely identify transfers sent from an HA.

No	Data Element	Usage	Repr.	Value/Description/Dependency rules
C002	DOCUMENT/MESSAGE NAME	N		
1001	Document/message name, coded	N	an..3	
1131	Code list qualifier	N	an..3	
3055	Code list responsible agency, coded	N	an..3	
1000	Document/message name	N	an..35	
1004	DOCUMENT/MESSAGE NUMBER	D	an..35	<u>This data element is required for messages sent from an HA. It is not used for messages sent to an HA. Transfer number allocated by HA</u>
1225	MESSAGE FUNCTION, CODED	R	an..3	<i>Identification of the type of data transferred by the message.</i> +"152" = PID Data +"153" = Individual PID Request +"154" = Group PID Request +"242" = Cytology Registration Changes
4343	RESPONSE TYPE, CODED	N	an..3	

**NAD NAME AND ADDRESS**

Function: To identify the sender and recipient of the message, and other relevant healthcare parties.

Usage: Mandatory.

Comments: One occurrence of this segment is mandatory, to identify the health body sending the message (HA or Pathology Laboratory).

For datatype 154, up to 6 occurrences to specify GP National Codes are optional. Up to 4 occurrences to specify DHA Codes are also optional.

For other datatypes, no further occurrences are required.

No	Data Element	Usage	Repr.	Value/Description/Dependency rules
3035	PARTY QUALIFIER	M	an..3	<i>Code for type of healthcare party</i> +"DHA"= District Health Authority +"FHS"= FHSA(HA) +"GP" = GP +"SLA"= Laboratory Service Provider
C082	PARTY IDENTIFICATION DETAILS	R		<i>Code to identify the healthcare party</i>
3039	Party id identification	M	an..17	<i>GP national code FHSA(HA) cypher Pathology Laboratory code DHA code</i>
1131	Code list qualifier	A	an..3	<i>Code list specifying the healthcare party code</i> +"900" = National GP +"954" = FHSA(HA) +"959" = Pathology Laboratory National code +"960" = District Health Authority
3055	Code list responsible agency, coded	N	an..3	
C058	NAME AND ADDRESS	N		
3124	Name and address line	M	an..35	
3124	Name and address line	N	an..35	
3124	Name and address line	N	an..35	
3124	Name and address line	N	an..35	
3124	Name and address line	N	an..35	
C080	PARTY NAME	N		
3036	Party name	M	an..35	

No	Data Element	Usage	Repr.	Value/Description/Dependency rules
3036	Party name	N	an..35	
3036	Party name	N	an..35	
3036	Party name	N	an..35	
3036	Party name	N	an..35	
3045	Party name format, coded	N	an..3	
C059	STREET	N		
3042	Street and number/P.O. Box	M	an..35	
3042	Street and number/P.O. Box	N	an..35	
3042	Street and number/P.O. Box	N	an..35	
3164	CITY NAME	N	an..35	
3229	COUNTRY SUB-ENTITY IDENTIFICATION	N	an..9	
3251	POSTCODE IDENTIFICATION	N	an..9	
3207	COUNTRY, CODED	N	an..3	

**DTM DATE/TIME/PERIOD**

Function: To identify date and time of translation.

Usage: Mandatory.

Comments: This segment must hold the date and time of message translation.

No	Data Element	Usage	Repr.	Value/Description/Dependency rules
C507	DATE/TIME/PERIOD	M		
2005	Date/time/period qualifier	M	an..3	<i>Code for type of date/time</i> "137" = Document/message date/time
2380	Date/time/period	R	an..35	<i>Date and time of message translation</i>
2379	Date/time/period format qualifier	R	an..3	<i>Code for date/time format</i> "203" = CCYYMMDDHHMM

**RFF REFERENCE**

Function: To specify the lab file reference number.

Usage: Dependent, maximum 1 occurrence.

Comments: For datatype 152 one occurrence of this segment may optionally be used to provide the lab file reference number.

For datatypes 153 and 154 one occurrence of this segment is required to provide the lab file reference number.

For datatype 242 this segment is not required.

No	Data Element	Usage	Repr.	Value/Description/Dependency rules
C506	REFERENCE	M		
1153	Reference qualifier	M	an..3	<i>Code for type of reference number</i> +"957" = Lab file reference number
1154	Reference number	R	an..35	<i>Lab file reference number</i>
1156	Line number	N	an..6	
4000	Reference version number	N	an..35	

**\*QTY QUANTITY**

Function: To specify amounts related to registration information.

Usage: Dependent, maximum 2 occurrences.

Comments: For datatypes 152 and 242 one occurrence of this segment is required to convey the number of patients for whom details are included in the message.

For datatype 153 the segment is not required.

For datatype 154 two occurrences of the segment may optionally carry the lower and the upper limits of the age range.

No	Data Element	Usage	Repr.	Value/Description/Dependency rules
*C186	QUANTITY DETAILS	M		
6063	Quantity qualifier	M	an..3	<i>Code for type of quantity</i> +"953" = Number of patients +"954" = Lower limit of range +"955" = Upper limit of range
*6060	Quantity	M	an..15	<i>Number of patients for whom details are transferred</i> <i>Lower limit of age range</i> <i>Upper limit of age range</i>
+C848	MEASUREMENT UNIT DETAILS	N		
*6411	Measurement unit identification	N	an..17	
1131	Code list qualifier	N	an..3	
3055	Code list responsible agency, coded	N	an..3	
+6410	Measurement unit	N	an..35	

**+HEA HEALTH INFORMATION**

Function: To specify health related information.

Usage: Dependent, maximum 2 occurrences.

Comments: For datatype 152 one occurrence of this segment is required to carry the code for file type.

For datatype 154 one occurrence of this segment may optionally hold the laboratory only indicator, and one occurrence may optionally hold the screening history required flag.

For datatypes 153 and 242 this segment is not required.

No	Data Element	Usage	Repr.	Value/Description/Dependency rules
+9506	HEALTH INFORMATION QUALIFIER	M	an..3	<i>Code identifying type of health information</i> +"FTP" = File type +"LOI" = Laboratory only indicator +"SHR" = Screening history required flag
+C973	HEALTH INFORMATION	R		
+9507	Health information identification	R	an..10	<i>Code for file type</i> +"1" = Group PID +"2" = Individual PID +"3" = Invite list +"4" = Registration changes +"5" = Deductions List <i>Laboratory only indicator</i> +"Y" = Require details only for those patients whose GP has a contract with the requesting laboratory +"N" = Require details for patients regardless of whether their GP has a contract with the requesting laboratory <i>Screening history required flag</i> +"Y" = Laboratory wants screening history +"N" = Laboratory does not want screening history
1131	Code list qualifier	O	an..3	<i>Code list specifying the health information</i> "ZZZ" = Mutually defined
3055	Code list responsible agency, coded	N	an..3	
+9508	Health	N	an..35	



**FTX            FREE TEXT**

Function:        To convey details of the acceptance or rejection of a request for PID data.

Usage:            Dependent, maximum 1 occurrence.

Comments:        For datatype 152, one occurrence of this segment may optionally carry a code and text to indicate acceptance or rejection of a request for PID data.

For other datatypes this segment is not required.

No	Data Element	Usage	Repr.	Value/Description/Dependency rules
4451	TEXT SUBJECT QUALIFIER	M	an..3	<i>Code for subject of text</i> +"PRS" =        PID request status
4453	TEXT FUNCTION, CODED	N	an..3	
C107	TEXT REFERENCE	O		
4441	Free text, coded	M	an..3	<i>Code for request acceptance/rejection</i> +"A"            =        Request accepted +"R"            =        Request rejected
1131	Code list qualifier	O	an..3	<i>Code list specifying the request acceptance/ rejection code</i> "ZZZ"            =        Mutually defined
3055	Code list responsible agency, coded	N	an..3	
C108	TEXT LITERAL	O		
4440	Free text	O	an..70	<i>Request acceptance or rejection text</i>
4440	Free text	N	an..70	
4440	Free text	N	an..70	
4440	Free text	N	an..70	
4440	Free text	N	an..70	
3453	LANGUAGE, CODED	N	an..3	

### Segment Group 1: S01-NAD-HEA-DTM-FTX-SG2

Function: To provide or request registration information related to multiple entities.

Usage: Dependent, maximum 999999 repetitions.

Comments: This segment group is used to convey information about patients, or about a request for patient details.

For datatype 152, one or more occurrences of the segment group may optionally be present to carry PID Data. Each repeat of the segment group will carry data for one patient.

For datatype 153, one or more occurrences of the segment group must be present to carry details of requests for PID Data for individually specified patients.

For datatype 154, one occurrence of the segment group may optionally be present to carry the sex specification for a Group request for PID Data.

For datatype 242, one or more occurrences of the segment group must be present to carry details of patient registration changes. Each repeat of the segment group will carry details of one or more changes to the registration details for one patient.

**+S01 TRIGGER SEGMENT SG1**

Function: Trigger segment for segment group number 1 in a message.

Usage: Mandatory.

Comments:

No	Data Element	Usage	Repr.	Value/Description/Dependency rules
+C851	SEGMENT GROUP USAGE DETAILS	R		
+9811	Segment group usage, coded	R	an..3	<i>Code to indicate usage of the segment group</i> +"1" = Segment group 1
1131	Code list qualifier	N	an..3	
3055	Code list responsible agency, coded	N	an..3	
+9810	Segment group usage	N	an..70	

**NAD NAME AND ADDRESS**

Function: To specify details of relevant healthcare parties.

Usage: Dependent, maximum 3 occurrences.

Comments: For datatype 152, up to 3 optional occurrences of this segment may carry GP's details (national code, name, and address), new HA, and District Health Authority.

For datatypes 153 and 154 this segment is not required.

For datatype 242, one occurrence of this segment must be used to specify the GP's local code and name. A further optional occurrence may carry the District Health Authority.

No	Data Element	Usage	Repr.	Value/Description/Dependency rules
3035	PARTY QUALIFIER	M	an..3	Code for type of healthcare party +"DHA" = District Health Authority +"GP" = Current GP +"NFH" = New FHS(A)
C082	PARTY IDENTIFICATION DETAILS	R		
3039	Party id identification	M	an..17	Patient's District Health Authority GP code (national or local) Cypher of patient's new FHS(HA)
1131	Code list qualifier	A	an..3	Code list specifying healthcare party +"900" = National GP +"954" = FHS(A) +"955" = Local GP +"960" = District Health Authority
3055	Code list responsible agency, coded	N	an..3	
C058	NAME AND ADDRESS	O		GP's address of up to 4 lines
3124	Name and address line	M	an..35	First line of GP's address
3124	Name and address line	O	an..35	Second line of GP's address
3124	Name and address line	O	an..35	Third line of GP's address
3124	Name and address line	O	an..35	Fourth line of GP's address
3124	Name and address line	N	an..35	
C080	PARTY NAME	D		<u>Required for datatype 242, to specify GP's name.</u> <u>Otherwise optional.</u>
3036	Party name	M	an..35	GP's family name
3036	Party name	O	an..35	GP's initials
3036	Party name	N	an..35	
3036	Party name	N	an..35	

No	Data Element	Usage	Repr.	Value/Description/Dependency rules
3036	Party name	N	an..35	
3045	Party name format, coded	N	an..3	
C059	STREET	N		
3042	Street and number/P.O. Box	M	an..35	
3042	Street and number/P.O. Box	N	an..35	
3042	Street and number/P.O. Box	N	an..35	
3164	CITY NAME	N	an..35	
3229	COUNTRY SUB-ENTITY IDENTIFICATION	N	an..9	
3251	POSTCODE IDENTIFICATION	O	an..9	<i>GP's postcode</i>
3207	COUNTRY, CODED	N	an..3	

**+HEA HEALTH INFORMATION**

Function: To specify items related to a registration entity.

Usage: Dependent, maximum 7 occurrences.

Comments: For datatype 152, 5 optional occurrences of this segment are required to specify the Recall type, Recall status, Screening history provided flag, PID transfer indicator, and the Latest address indicator.

For datatype 153, 1 optional occurrence of this segment may convey the Screening history required flag.

For datatype 154 this segment is not required.

For datatype 242, 1 occurrence of this segment is required to specify the Registration change type. 1 further optional occurrence may specify the Registration change source.

No	Data Element	Usage	Repr.	Value/Description/Dependency rules
+9506	HEALTH INFORMATION QUALIFIER	M	an..3	<i>Code for type of health information</i> +"LAI" = Latest address indicator +"SHP" = Screening history provided flag +"SHR" = Screening history required flag +"PTI" = PID transfer indicator +"RCS" = Registration change source +"RCT" = Registration change type +"RLS" = Recall status +"RLT" = Recall type
+C973	HEALTH INFORMATION	R		
+9507	Health information identification	R	an..10	<i>Latest address indicator</i> +"F" = FHSA(HA) has patient's latest address +"L" = Laboratory has patient's latest address  <i>Screening history provided flag</i> +"Y" = Patient has screening history +"N" = Patient does not have screening history  <i>Screening history required flag</i> +"Y" = Laboratory wants screening history +"N" = Laboratory does not want screening history  <i>PID transfer indicator</i> +"1" = Group PID +"2" = Individual PID +"3" = Invite List +"4" = Registration Changes  <i>Registration change source</i>

				<p><i>Registration change type</i></p> <p>One or more of the following codes:</p> <p>+"D" = Change of name</p> <p>+"E" = Change of date of birth</p> <p>+"F" = Change of sex</p> <p>+"G" = Change of GP</p> <p>+"H" = Change of address</p> <p>+"J" = Change of postcode</p> <p>+"K" = Change of NHS number</p> <p><i>Recall status</i></p> <p>+"1" = No action</p> <p>+"2" = Second letter</p> <p>+"C" = Ceased recall</p> <p>+"F" = First non-responder</p> <p>+"G" = GP informed</p> <p>+"H" = Final non-responder</p> <p>+"L" = Logged slide</p> <p>+"N" = GP not informed</p> <p>+"P" = Patient informed</p> <p>+"S" = Suspended recall</p> <p>+"X" = No previous recall status</p> <p>+"Z" = Patient from outside FHS(HA)</p> <p><i>Recall type</i></p> <p>+"C" = Cancelled</p> <p>+"I" = Inadequate</p> <p>+"L" = Called</p> <p>+"N" = Routine</p> <p>+"R" = Repeat advised</p> <p>+"S" = Suspended</p> <p>+"X" = No previous recall type</p>
1131	Code list qualifier	O	an..3	<p><i>Code list specifying health information</i></p> <p>"ZZZ" = Mutually defined</p>
3055	Code list responsible agency, coded	N	an..3	
+9508	Health	N	an..35	

**DTM DATE/TIME/PERIOD**

Function: To specify various dates and periods related to a registration entity.

Usage: Dependent.

Comments: For datatype 152, 1 required occurrence of this segment must specify the Date of recall.

For datatypes 153 and 154, this segment is not required.

For datatype 242, 1 required occurrence of this segment must specify the Date of registration change.

No	Data Element	Usage	Repr.	Value/Description/Dependency rules
C507	DATE/TIME/PERIOD	M		
2005	Date/time/period qualifier	M	an..3	<i>Code for type of date/time</i> +"964" = Date of registration change +"966" = Date of recall
2380	Date/time/period	R	an..35	<i>Date of registration change</i> <i>Date of recall</i>
2379	Date/time/period format qualifier	R	an..3	<i>Code for format of date/time or period</i> "102" = CCYYMMDD



**FTX        FREE TEXT**

Function:     To specify free text related to a registration entity.

Usage:        Dependent, maximum 2 occurrences.

Comments:    For datatype 152, up to 2 occurrences of this segment may optionally be used to convey Matching details and Patient notes.

For the other datatypes, this segment is not required.

No	Data Element	Usage	Repr.	Value/Description/Dependency rules
4451	TEXT SUBJECT QUALIFIER	M	an..3	<i>Code for subject of text</i> +"PMM"        =        PID matching method +"PTN" =        Patient notes
4453	TEXT FUNCTION, CODED	N	an..3	
C107	TEXT REFERENCE	D		<u>This composite may optionally be used if the Text Subject Qualifier is PMM.</u>
4441	Free text, coded	M	an..3	<i>Matching code</i>
1131	Code list qualifier	N	an..3	<i>Code list specifying matching code</i> "ZZZ"        =        Mutually defined
3055	Code list responsible agency, coded	N	an..3	
C108	TEXT LITERAL	D		<u>If a matching code is not present in composite C107, this composite is required.</u>
4440	Free text	M	an..70	<i>Matching text</i> <i>Patient notes</i>
4440	Free text	O	an..70	<i>Patient notes</i>
4440	Free text	O	an..70	<i>Patient notes</i>
4440	Free text	N	an..70	
4440	Free text	N	an..70	
3453	LANGUAGE, CODED	N	an..3	

## Segment Group 2: S02-PNA-DTM-PDI-NAD

Function: To provide personal information about a patient.

Usage: Dependent.

Comments: This segment group is used to convey personal details about patients.

For datatype 152, the first occurrence of this segment group is required to convey the patient's current details. 2 further occurrences are optional, the second to convey the patient's previous details and the third to convey the patient's laboratory details.

For datatype 153, the first occurrence of this segment group is required to convey the patient's current details. A second occurrence is optional, to convey the patient's laboratory details.

For datatype 154, a single occurrence of this segment group is optional to specify the sex of patients for a group request.

For datatype 242, the first occurrence of this segment group is required to convey the patient's current details. A second occurrence is optional, to convey the patient's previous details.

**+S02 TRIGGER SEGMENT SG2**

Function: Trigger segment for segment group number 2 in a message.

Usage: Mandatory.

Comments:

No	Data Element	Usage	Repr.	Value/Description/Dependency rules
+C851	SEGMENT GROUP USAGE DETAILS	R		
+9811	Segment group usage, coded	R	an..3	<i>Code to indicate usage of the segment group</i> +"2" = Segment group 2
1131	Code list qualifier	N	an..3	
3055	Code list responsible agency, coded	N	an..3	
+9810	Segment group usage	N	an..70	

**+PNA PERSON NAME**

Function: To specify information necessary to establish the identity of the customer.

Usage: Dependent, maximum 3 occurrences.

Comments: For datatype 152, 1 occurrence of this segment with party qualifier "PAT" is required within the first occurrence of this segment group to convey the patient's current details (NHS number and name details). 1 occurrence of this segment with party qualifier "PER" is optional to convey the patient's previous NHS number and previous family name. 1 occurrence of this segment with party qualifier "PLB" is optional to convey the patient's laboratory identifier.

For datatype 153, 1 occurrence of this segment with party qualifier "PAT" is required to convey the patient's current details (NHS number and name details). 1 occurrence of the segment with party qualifier "PLB" is optional to convey the patient's laboratory identifier.

For datatype 154, this segment is not required.

For datatype 242, 1 occurrence of this segment with party qualifier "PAT" is required within the first occurrence of this segment group to convey the patient's current details (NHS number and name details). 1 occurrence of this segment with party qualifier "PER" is optional to convey the patient's previous NHS number and previous family name.

No	Data Element	Usage	Repr.	Value/Description/Dependency rules
3035	PARTY QUALIFIER	M	an..3	<i>Code for type of personal details</i> +"PAT"= Patient (used for current details) +"PER"= Person (used for patient's previous details) +"PLB" = Patient's laboratory details
C206	IDENTIFICATION NUMBER	O		
7402	Identity number	M	an..35	<i>Patient's current NHS number</i> <i>Patient's previous NHS number</i> <i>Patient's laboratory identifier</i>
7405	Identity number qualifier	R	an..3	+"API" = Amended patient identification (used for previous NHS number) +"OPI" = Official patient identification (used for current NHS number) +"XPI" = Additional patient identification (used for laboratory identifier)
+3797	NAME TYPE, CODED	N	an..3	
+3799	NAME STATUS, CODED	N	an..3	
+C816	NAME COMPONENT DETAILS	D		<u>For datatypes 153 and 242 this composite is required. For datatype 152 this composite is optional.</u>
+3835	Name component qualifier	M	an..3	<i>Code for type of name component</i> +"SU" = Family name

No	Data Element	Usage	Repr.	Value/Description/Dependency rules
+3836	Name component	R	an..70	<i>Patient's family name</i> <i>Patient's previous family name</i>
+3839	Name component status, coded	N	an..3	
+3841	Name component original representation, coded	N	an..3	
+C816	NAME COMPONENT DETAILS	D		<u>For datatype 153 this composite is required. For datatypes 152 and 242 this composite is optional.</u>
+3835	Name component qualifier	M	an..3	<i>Code for type of name component</i> +"FO" = First given name
+3836	Name component	R	an..70	<i>Patient's first given name (first forename)</i>
+3839	Name component status, coded	N	an..3	
+3841	Name component original representation, coded	N	an..3	
+C816	NAME COMPONENT DETAILS	D		<u>This composite may optionally be used for datatypes 152, 153, and 242.</u>
+3835	Name component qualifier	M	an..3	<i>Code for type of name component</i> +"FS" = Forenames
+3836	Name component	R	an..70	<i>Patient's additional given names</i>
+3839	Name component status, coded	N	an..3	
+3841	Name component original representation, coded	N	an..3	
+C816	NAME COMPONENT DETAILS	O		<u>This composite may optionally be used for datatype 152.</u>
+3835	Name component qualifier	M	an..3	<i>Code for type of name component</i> +"AL" = Alternative person name
+3836	Name component	R	an..70	<i>Patient's extra name</i>
+3839	Name component status, coded	N	an..3	
+3841	Name component original representation, coded	N	an..3	
+C816	NAME COMPONENT DETAILS	O		<u>This composite may optionally be used for datatypes 152 and 242.</u>
+3835	Name component qualifier	M	an..3	<i>Code for type of name component</i> +"TI" = Title
+3836	Name component	R	an..70	<i>Patient's title</i>
+3839	Name component status, coded	N	an..3	
+3841	Name component original	N	an..3	

<b>No</b>	<b>Data Element</b> representation, coded	<b>Usage</b>	<b>Repr.</b>	<b>Value/Description/Dependency rules</b>
-----------	--	--------------	--------------	---

**DTM      DATE/TIME/PERIOD**

Function: To specify the patient's date of birth and previous date of birth.

Usage: Dependent, maximum 2 occurrences.

Comments: For datatype 152, 1 optional occurrence of this segment within the first occurrence of the segment group may be used to specify the patient's date of birth.

For datatype 153, 1 occurrence of this segment within the first occurrence of the segment group is required to carry the patient's date of birth.

For datatype 154, this segment is not required.

For datatype 242, 1 optional occurrence of this segment within the first occurrence of the segment group may be used to specify the patient's date of birth. 1 further optional occurrence of the segment within a further repeat of the segment group (either having segment PNA with party qualifier "PER", or having no PNA segment) may be used to specify the patient's previous date of birth.

No	Data Element	Usage	Repr.	Value/Description/Dependency rules
C507	DATE/TIME/PERIOD	M		
2005	Date/time/period qualifier	M	an..3	<i>Code for type of date/time</i> "329" = Date/time of birth +"967" = Previous date/time of birth
2380	Date/time/period	R	an..35	<i>Patient's date of birth</i> <i>Patient's previous date of birth</i>
2379	Date/time/period format qualifier	R	an..3	<i>Code for format of date/time</i> "102" = CCYYMMDD

**PDI PERSON DEMOGRAPHIC INFORMATION**

Function: To specify the patient's sex.

Usage: Dependent, maximum 1 occurrence.

Comments: For datatype 152, 1 occurrence of this segment within the first occurrence of the segment group is optional to specify the patient's sex.

For datatype 153 this segment is not required.

For datatype 154, 1 occurrence of this segment within the first occurrence of the segment group is optional to specify the sex of patients for a group request for PID data.

For datatype 242, 1 occurrence of this segment within the first occurrence of the segment group is required to specify the patient's sex.

No	Data Element	Usage	Repr.	Value/Description/Dependency rules
+3917	SEX, CODED	R	an..3	<i>Code for patient administrative sex</i> +"1" = Male +"2" = Female +"4" = Indeterminate
+C085	MARITAL STATUS DETAILS	N		
+3913	Marital status, coded	N	an..3	
1131	Code list qualifier	N	an..3	
3055	Code list responsible agency, coded	N	an..3	
+3912	Marital status	N	an..35	
+C101	RELIGION DETAILS	N		
+3923	Religion, coded	N	an..3	
1131	Code list qualifier	N	an..3	
3055	Code list responsible agency, coded	N	an..3	
+3922	Religion	N	an..35	



**NAD NAME AND ADDRESS**

Function: To specify the patient's address.

Usage: Optional, maximum 1 occurrence.

Comments: For datatypes 152 and 153, this segment may carry the patient's address and Postcode.

For datatype 154, this segment is not required.

For datatype 242, this segment may carry the patient's address, Postcode, and Address code.

If the patient's address is present, but without address line 1, address line 1 must be represented by a single question mark ("?") to signify a null address line.

No	Data Element	Usage	Repr.	Value/Description/Dependency rules
3035	PARTY QUALIFIER	M	an..3	<i>Code to identify owner of address details</i> +"PAT" = Patient
C082	PARTY IDENTIFICATION DETAILS	N		
3039	Party id identification	M	an..17	
1131	Code list qualifier	N	an..3	
3055	Code list responsible agency, coded	N	an..3	
C058	NAME AND ADDRESS	O		<i>Lines of patient's address</i>
3124	Name and address line	M	an..35	<i>Address line 1</i> +"?" = This composite is present without address line 1
3124	Name and address line	O	an..35	<i>Address line 2</i>
3124	Name and address line	O	an..35	<i>Address line 3</i>
3124	Name and address line	O	an..35	<i>Address line 4</i>
3124	Name and address line	O	an..35	<i>Address line 5</i>
C080	PARTY NAME	N		
3036	Party name	M	an..35	
3036	Party name	N	an..35	
3036	Party name	N	an..35	
3036	Party name	N	an..35	
3036	Party name	N	an..35	
3045	Party name format, coded	N	an..3	

C059	STREET	O		
3042	Street and number/P.O. Box	M	an..35	<i>Patient's address code</i>
3042	Street and number/P.O. Box	N	an..35	
3042	Street and number/P.O. Box	N	an..35	
3164	CITY NAME	N	an..35	
3229	COUNTRY SUB-ENTITY IDENTIFICATION	N	an..9	
3251	POSTCODE IDENTIFICATION	O	an..9	<i>Patient's postcode</i>
3207	COUNTRY, CODED	N	an..3	

**Segment Group 3: S03-RFF-NAD-HEA-DTM-FTX**

**Function:** To provide registration information relating to a patients test history.

**Usage:** Dependent, maximum 999 repetitions.

**Comments:** This segment group is used to convey information about a patient's screening history.

For datatype 152, one or more occurrences of the segment group may optionally be present to carry details of the patient's screening history. Each repeat of the segment group will carry data for one screening test.

For other datatypes, this segment group is not required.

**+S03 TRIGGER SEGMENT SG3**

Function: Trigger segment for segment group number 3 in a message.

Usage: Mandatory.

Comments:

No	Data Element	Usage	Repr.	Value/Description/Dependency rules
+C851	SEGMENT GROUP USAGE DETAILS	R		
+9811	Segment group usage, coded	R	an..3	<i>Code to indicate usage of the segment group</i> +"3" = Segment group 3
1131	Code list qualifier	N	an..3	
3055	Code list responsible agency, coded	N	an..3	
+9810	Segment group usage	N	an..70	

**RFF REFERENCE**

Function: To specify the laboratory slide number.

Usage: Optional.

Comments: 1 occurrence of this segment may be used to specify the slide number allocated by the pathology laboratory.

No	Data Element	Usage	Repr.	Value/Description/Dependency rules
C506	REFERENCE	M		
1153	Reference qualifier	M	an..3	<i>Code for type of reference number</i> +"958" = Laboratory slide number
1154	Reference number	R	an..35	<i>Laboratory slide number</i>
1156	Line number	N	an..6	
4000	Reference version number	N	an..35	

**NAD NAME AND ADDRESS**

Function: To specify details of relevant healthcare parties.

Usage: Required, maximum 3 occurrences.

Comments: One required occurrence of this segment must carry details of the test laboratory. Up to 2 further optional occurrences may carry identification of the Test FHSA(HA) and Sender of the test sample (Ordering party).

No	Data Element	Usage	Repr.	Value/Description/Dependency rules
3035	PARTY QUALIFIER	M	an..3	Code for type of healthcare party +"FHS" = FHS(HA) "PO" = Ordering party +"SLA" = Laboratory service provider
C082	PARTY IDENTIFICATION DETAILS	D		<u>This composite must be present for segment occurrences with party qualifier FHS and SLA. For an occurrence with party qualifier PO, either this composite or composite C080 must be present.</u>
3039	Party id identification	M	an..17	Cypher of patient's FHSA(HA), at time of test Code for sender of sample (Ordering party) Code of pathology laboratory responsible for test (Laboratory service provider)
1131	Code list qualifier	A	an..3	Code list specifying healthcare party +"954" = FHSA(HA) +"959" = Pathology Laboratory National code "ZZZ" = Mutually defined
3055	Code list responsible agency, coded	N	an..3	
C058	NAME AND ADDRESS	N		
3124	Name and address line	M	an..35	
3124	Name and address line	N	an..35	
3124	Name and address line	N	an..35	
3124	Name and address line	N	an..35	
3124	Name and address line	N	an..35	
C080	PARTY NAME	O		
3036	Party name	M	an..35	Name of pathology laboratory (Laboratory service provider) Name of Sender of test sample (Ordering party)
3036	Party name	N	an..35	
3036	Party name	N	an..35	
3036	Party name	N	an..35	

No	Data Element	Usage	Repr.	Value/Description/Dependency rules
3036	Party name	N	an..35	
3045	Party name format, coded	N	an..3	
C059	STREET	N		
3042	Street and number/P.O. Box	M	an..35	
3042	Street and number/P.O. Box	N	an..35	
3042	Street and number/P.O. Box	N	an..35	
3164	CITY NAME	N	an..35	
3229	COUNTRY SUB-ENTITY IDENTIFICATION	N	an..9	
3251	POSTCODE IDENTIFICATION	N	an..9	
3207	COUNTRY, CODED	N	an..3	

**+HEA HEALTH INFORMATION**

Function: To specify items related to a registration entity.

Usage: Optional, maximum 4 occurrences.

Comments: 2 occurrences of this segment are required to specify the Cytology result code and the Cytology action code. 2 further optional occurrences of the segment may be used to specify the Infection marker and the Source code.

No	Data Element	Usage	Repr.	Value/Description/Dependency rules
+9506	HEALTH INFORMATION QUALIFIER	M	an..3	<i>Code for type of health information</i> +"CAC" = Cytology action code +"CRC" = Cytology result code +"INM" = Infection marker +"SRC" = Source code
+C973	HEALTH INFORMATION	R		
+9507	Health information identification	R	an..10	<i>Cytology action code</i> <i>Cytology result code</i> +"1" = Inadequate +"2" = Negative +"3" = Mild dyskaryosis +"4" = Severe dyskaryosis +"5" = Severe dyskaryosis/? Invasive carcinoma +"6" = ? Glandular neoplasia +"7" = Moderate dyskaryosis +"8" = Borderline +"R" = Repeat advised +"S" = Suspend <i>Infection marker</i> <i>Source code</i> +"G" = GP on FHSA(HA)'s list +"H" = Sender defined by user +"N" = GP not on FHSA(HA)'s list +"X" = Not a valid GP, nor a valid Sender
1131	Code list qualifier	A	an..3	<i>Code list specifying health information</i> +"961" = Cytology Action Code "ZZZ" = Mutually defined
3055	Code list responsible agency, coded	N	an..3	
+9508	Health	N	an..35	



**DTM DATE/TIME/PERIOD**

Function: To specify various dates and periods related to a registration entity.

Usage: Required, maximum 2 occurrences.

Comments: 1 required occurrence of this segment must specify the Date of test. 1 further optional occurrence may specify the Repeat period.

No	Data Element	Usage	Repr.	Value/Description/Dependency rules
C507	DATE/TIME/PERIOD	M		
2005	Date/time/period qualifier	M	an..3	Code for type of date/time +"963" = Repeat period +"965" = Date of test
2380	Date/time/period	R	an..35	Repeat period (in months) Date of test
2379	Date/time/period format qualifier	R	an..3	Code for format of date/time or period "102" = CCYYMMDD "802" = Quantity of months

**FTX            FREE TEXT**

Function:        To specify free text related to a registration entity.

Usage:            Optional.

Comments:        1 occurrence of this segment may optionally be used to convey up to 3 lines of Comments on a test.

No	Data Element	Usage	Repr.	Value/Description/Dependency rules
4451	TEXT SUBJECT QUALIFIER	M	an..3	<i>Code for subject of text</i> +"TCT"=            Comments relating to test
4453	TEXT FUNCTION, CODED	N	an..3	
C107	TEXT REFERENCE	N		
4441	Free text, coded	M	an..3	
1131	Code list qualifier	N	an..3	
3055	Code list responsible agency, coded	N	an..3	
C108	TEXT LITERAL	R		
4440	Free text	M	an..70	<i>Comments relating to test</i>
4440	Free text	O	an..70	<i>Comments relating to test</i>
4440	Free text	O	an..70	<i>Comments relating to test</i>
4440	Free text	N	an..70	
4440	Free text	N	an..70	
3453	LANGUAGE, CODED	N	an..3	

**UNT MESSAGE TRAILER**

Function: To end and check the completeness of a message.

Usage: Mandatory.

Comments:

No	Data Element	Usage	Repr.	Value/Description/Dependency rules
0074	NUMBER OF SEGMENTS IN A MESSAGE	M	n..6	<i>Count of the number of segments in the message, including the UNH and UNT segments</i>
0062	MESSAGE REFERNCE NUMBER	M	an..14	<i>Sender's unique message reference, identical to 0062 in UNH segment</i>

## 7 EDIFACT Reference Directory

### 7.1 Formal definition of composites

#### Listing of composites by Tag

C002	DOCUMENT/MESSAGE NAME
C058	NAME AND ADDRESS
C059	STREET
C080	PARTY NAME
C082	PARTY IDENTIFICATION DETAILS
+C085	MARITAL STATUS DETAILS
+C101	RELIGION DETAILS
C107	TEXT REFERENCE
C108	TEXT LITERAL
*C186	QUANTITY DETAILS
C206	IDENTIFICATION NUMBER
C506	REFERENCE
C507	DATE/TIME/PERIOD
+C816	NAME COMPONENT DETAILS
+C848	MEASUREMENT UNIT DETAILS
+C851	SEGMENT GROUP USAGE DETAILS
+C973	HEALTH INFORMATION

Composite specifications**C002DOCUMENT/MESSAGE NAME**

Desc: Identification of a type of document/message by code or name.

1001	Document/message name,coded	C	an..3
1131	Code list qualifier	C	an..3
3055	Code list responsible agency, coded	C	an..3
1000	Document/message name	C	an..35

**C058NAME AND ADDRESS**

Desc: Unstructured name and address: one to five lines.

3124	Name and address line	M	an..35
3124	Name and address line	C	an..35
3124	Name and address line	C	an..35
3124	Name and address line	C	an..35
3124	Name and address line	C	an..35

**C059STREET**

Desc: Street address and/or P.O. Box number in a structured address: one to three lines.

3042	Street and number/P.O.Box	M	an..35
3042	Street and number/P.O.Box	C	an..35
3042	Street and number/P.O.Box	C	an..35

**C080PARTY NAME**

Desc: Identification of a transaction party by name, one to five lines. Party name may be formatted.

3036	Party name	M	an..35
3036	Party name	C	an..35
3036	Party name	C	an..35
3036	Party name	C	an..35
3036	Party name	C	an..35
3045	Party name format, coded	C	an..3

**C082PARTY IDENTIFICATION DETAILS**

Desc: Identification of a transaction party by code.

3039	Party identification	M	an..17
1131	Code list qualifier	C	an..3
3055	Code list responsible agency, coded	C	an..3

**+C085 MARITAL STATUS DETAILS**

Desc: To specify the marital status of a person.

+3193	Marital status, coded	C	an..3
1131	Code list qualifier	C	an..3
3055	Code list responsible agency, coded	C	an..3
+3912	Marital status	C	an..35

**+C101 RELIGION DETAILS**

Desc: To specify the religion of a person.

+3923	Religion, coded	C	an..3
1131	Code list qualifier	C	an..3
3055	Code list responsible agency, coded	C	an..3
+3922	Religion	C	an..35

**C107TEXT REFERENCE**

Desc: Coded reference to a standard text and its source.

4441	Free text, coded	M	an..3
1131	Code list qualifier	C	an..3
3055	Code list responsible agency, coded	C	an..3

**C108TEXT LITERAL**

Desc: Free text: one to five lines.

4440	Free text	M	an..70
4440	Free text	C	an..70
4440	Free text	C	an..70
4440	Free text	C	an..70
4440	Free text	C	an..70

**\*C186 QUANTITY DETAILS**

Desc: Quantity information in a transaction, qualified when relevant.

6063	Quantity qualifier	M	an..3
*6060	Quantity	M	an..15

**C206IDENTIFICATION NUMBER**

Desc: The identification of an object.

7402	Identity number	M	an..35
7405	Identity number qualifier	C	an..35

**C506 REFERENCE**

Desc: Identification of a reference.

1153	Reference qualifier	M	an..3
1154	Reference number	C	an..35
1156	Line number	C	an..6
4000	Reference version number	C	an..35

**C507 DATE/TIME/PERIOD**

Desc: Date and/or time, or period relevant to the specified date/time/period type.

2005	Date/time/period qualifier	M	an..3
2380	Date/time/period	C	an..35
2379	Date/time/period format qualifier	C	an..3

**+C816 NAME COMPONENT DETAILS**

Desc: To specify a name component

+3835	Name component qualifier	M	an..3
+3836	Name component	C	an..70
+3839	Name component status, coded	C	an..3
+3841	Name component original representation, coded	C	an..3

**+C848 MEASUREMENT UNIT DETAILS**

Desc: To specify a measurement unit.

*6411	Measurement unit identification	C	an..17
1131	Code list qualifier	C	an..3
3055	Code list responsible agency, coded	C	an..3
+6410	Measurement unit	C	an..35

**+C851 SEGMENT GROUP USAGE DETAILS**

Desc: To describe the actual usage of a segment group in a message.

+9811	Segment group usage, coded	C	an..3
1131	Code list qualifier	C	an..3
3055	Code list responsible agency, coded	C	an..3
+9810	Segment group usage	C	an..70

**+C973 HEALTH INFORMATION**

Desc: Specific health information, as identified by a qualifier.

+9507	Health information identification	C	an..10
1131	Code list qualifier	C	an..3
3055	Code list responsible agency, coded	C	an..3
+9508	Health	C	an..35



## 7.2 Formal definition of data elements

### Listing of data elements by Tag

1000	Document/message name
1001	Document/message name, coded
1004	Document/message number
1131	Code list qualifier
1153	Reference qualifier
1154	Reference number
1156	Line number
1225	Message function, coded
2005	Date/time/period qualifier
2379	Date/time/period format qualifier
2380	Date/time/period
3035	Party qualifier
3036	Party name
3039	Party id identification
3042	Street and number/P.O. Box
3045	Party name format, coded
3055	Code list responsible agency, coded
3124	Name and address line
3164	City name
3207	Country, coded
3229	Country sub-entity identification
3251	Postcode identification
3453	Language, coded
+3797	Name type, coded
+3799	Name status, coded
+3835	Name component qualifier
+3836	Name component
+3839	Name component status, coded
+3841	Name component original representation, coded
+3912	Marital status
+3913	Marital status, coded
+3917	Sex, coded
+3922	Religion
+3923	Religion, coded
4000	Reference version number
4343	Response type, coded
4440	Free text
4441	Free text, coded
4451	Text subject qualifier
4453	Text function, coded
*6060	Quantity
6063	Quantity qualifier
+6410	Measurement unit
*6411	Measurement unit identification
7402	Identity number
7405	Identity number qualifier
+9506	Health information qualifier
+9507	Health information identification
+9508	Health

- +9810 Segment group usage
- +9811 Segment group usage, coded

Data element specifications**1000 Document/message name**

Desc: Plain language identifier specifying the function of a document/message.

Repr: an..35

**1001 Document/message name, coded**

Desc: Document/message identifier expressed in code.

Repr: an..3

**1004 Document/message number**

Desc: Reference number assigned to the document/message by the issuer.

Repr: an..35

**1131 Code list qualifier**

Desc: Identification of a code list.

Repr: an..3

**1153 Reference qualifier**

Desc: Code giving specific meaning to a reference segment or a reference number.

Repr: an..3

**1154 Reference number**

Desc: Identification number the nature and function of which can be qualified by an entry in data element 1153 Reference qualifier.

Repr: an..35

**1156 Line number**

Desc: Number of the line in the document/message referenced in 1154 Reference number.

Repr: an..6

**1225 Message function, coded**

Desc: Code indicating the function of the message.

Repr: an..3

**2005 Date/time/period qualifier**

Desc: Code giving specific meaning to a date,time or period.

Repr: an..3

**2379 Date/time/period format qualifier**

Desc: Specification of the representation of a date, a date and time or of a period.

Repr: an..3

**2380 Date/time/period**

Desc: The value of a date, a date and time, a time or period in a specified representation.

Repr: an..35

**3035 Party qualifier**

Desc: Code giving specific meaning to a party.

Repr: an..3

**3036 Party name**

**Desc:** Name of a party involved in a transaction.  
**Repr:** an..35

**3039 Party id identification**

Desc: Code identifying a party involved in a transaction.  
Repr: an..17

**3042 Street and number/P.O. Box**

Desc: Street and number in plain language, or Post Office Box number.  
Repr: an..35

**3045 Party name format, coded**

Desc: Specification of the representation of a party name.  
Repr: an..3

**3055 Code list responsible agency, coded**

Desc: Code identifying the agency responsible for a code list.  
Repr: an..3

**3124 Name and address line**

Desc: Free form name and address description.  
repr: an..35

**3164 City name**

Desc: Name of a city (a town, a village) for addressing purposes.  
Repr: an..35

**3207 Country, coded**

Desc: Identification of the name of a country or other geographical entity as specified.  
Repr: an..3

**3229 Country sub-entity identification**

Desc: Identification of the name of sub-entities (state, province) defined by appropriate governmental agencies.  
Repr: an..9

**3251 Postcode identification**

Desc: Code defining postal zones or addresses.  
Repr: an..9

**3453 Language, coded**

Desc: Code of language (ISO 639-1988)  
Repr: an..3

**+3797 Name type, coded**

Desc: Code for type of name such as official name, alias  
Repr: an..3

**+3799 Name status, coded**

Desc: To specify the status of a name (such as current name)  
Repr: an..3

**+3835 Name component qualifier**

Desc: To indicate a part of the name such as family name or given name.  
Repr: an..3

**+3836 Name component**

Desc: Part of party name such as family name or given name.  
Repr: an..70

**+3839 Name component status, coded**

Desc: To specify the status of a name component.  
Repr: an..3

**+3841 Name component original representation, coded**

Desc: To specify the alphabet originally used to represent the name.  
Repr: an..3

**+3912 Marital status**

Desc: Marital status of a person.  
Repr: an..35

**+3913 Marital status, coded**

Desc: Code giving the marital status of a person.  
Repr: an..3

**+3917 Sex, coded**

Desc: Code giving the gender of a person, animal or plant. (ISO 5218)  
Repr: an..3

**+3922 Religion**

Desc: To specify the religion of a person.  
Repr: an..35

**+3923 Religion, coded**

Desc: To specify the religion of a person in a coded form.  
Repr: an..3

**4000 Reference version number**

Desc: To uniquely identify a reference by its revision number.  
Repr: an..35

**4343 Response type, coded**

Desc: Code specifying the type of acknowledgement required.  
Repr: an..3

**4440 Free text**

Desc: Free text field available to the message sender for information.  
Repr: an..70

**4441 Free text, coded**

Desc: Free text in coded form.  
Repr: an..3

**4451 Text subject qualifier**

Desc: Code specifying subject of a free text.  
Repr: an..3

**4453 Text function, coded**

Desc: Code specifying how to handle the text.

Repr: an..3

**\*6060 Quantity**

Desc: Numeric value of a quantity.

Repr: an..15

**6063 Quantity qualifier**

Desc: Code giving specific meaning to a quantity.

Repr: an..3

**+6410 Measurement unit**

Desc: Specification of unit as free text

Repr: an..35

**\*6411 Measurement unit identification**

Desc: Specification of unit of measurement using code

Repr: an..17

**7402 Identity number**

Desc: A value given to an object for identification purposes.

Repr: an..35

**7405 Identity number qualifier**

Desc: Code specifying the type/source of the product identification number.

Repr: an..3

**+9506 Health information qualifier**

Desc: Gives specific meaning to an item of information relating to health.

Repr: an..3

**+9507 Health information, coded**

Desc: Item of information relating to health.

Repr: an..17

**+9508 Health**

Desc: Description of item relating to health.

Repr: an..35

**+9810 Segment group usage**

Desc: To describe the actual usage of a segment group in a message.

Repr: an..70

**+9811 Segment group usage, coded**

Desc: To specify the usage of a segment group in a message as a code.

Repr: an..3

**7.3 Data element code values****1131 Code list qualifier**

+900 National GP  
+954 FHSA(HA)  
+955 Local GP  
+959 Pathology Laboratory National code  
+960 District Health Authority  
+961 Cytology Action Code  
ZZZ Mutually defined

**1153 Reference qualifier**

+957 Lab file reference number  
+958 Laboratory slide number

**1225 Message function, coded**

+152 PID Data  
+153 Individual PID Request  
+154 Group PID Request  
+242 Cytology Registration changes

**2005 Date/time/period qualifier**

137 Document/message date/time  
329 Date/time of birth  
+963 Repeat period  
+964 Date of registration change  
+965 Date of test  
+966 Date of recall  
+967 Previous date/time of birth

**2379 Date/time/period format qualifier**

102 CCYYMMDD  
203 CCYYMMDDHHMM  
802 Quantity of months

**3035 Party qualifier**

+DHA District Health Authority  
+FHS FHSA(HA)  
+GP GP  
+NFH New FHSA(HA)  
+PAT Patient



+PER Person  
+PLB Patient's laboratory details  
PO Ordering party  
+SLA Laboratory Service Provider

**+3797 Name type, coded**

+FO Former name  
+US Usual name

**+3835 Name component qualifier**

+AL Alternative person name  
+FO First given name  
+FS Forenames  
+SU Family name  
+TI Title

**+3917 Sex, coded**

+1 Male  
+2 Female  
+4 Indeterminate

**4451 Text subject qualifier**

+PMM PID matching method  
+PRS PID request status  
+PTN Patient notes  
+TCT Comments relating to test

**6063 Quantity qualifier**

+953 Number of patients  
+954 Lower limit of range  
+955 Upper limit of range

**7405 Identity number qualifier**

+API Amended patient identification  
+OPI Official patient identification  
+XPI Additional patient identification

**+9506 Health information qualifier**

+CAC Cytology action code

+CRC Cytology result code  
+FTP File type  
+INM Infection marker  
+LAI Latest address indicator  
+LOI Laboratory only indicator  
+PTI PID transfer indicator  
+RCS Registration change source  
+RCT Registration change type  
+RLS Recall status  
+RLT Recall type  
+SHP Screening history provided flag  
+SHR Screening history required flag  
+SRC Source code

**+9811 Segment group usage, coded**

+1 Segment group 1  
+2 Segment group 2  
+3 Segment group 3



***IMPLEMENTATION GUIDELINES  
FOR THE EDIFACT MESSAGE  
NHSCYT:0:1:NH:NHS001***

***Version Number: Draft  
Issue Date: January 2002***

**Message Type : NHSCYT  
Version : 0  
Release : 1  
Controlling Agency : NH  
Assoc Assigned Code : NHS001**

© Crown Copyright 2016

NHS Digital  
Hexagon House  
P.O. Box 78  
Pynes Hill  
Rydon Lane  
Exeter  
EX2 5SE

Tel: (01392) 206700  
Fax: (01392) 206946

*IMPLEMENTATION GUIDELINES*

*AMENDMENT HISTORY*

Version:            Date Issued:            Brief Summary of Change:

0 - Draft                            First draft version.

This is a Controlled Document. On receipt of a new version, destroy all previous versions.

## DISTRIBUTION LIST

**Owner:** Networks Team

Name: Title/ Company

1. Kevin Sprague Analyst Programmer (NHSIA)

<b>CONTENTS</b>		<b>PAGE</b>
1	Introduction	4
2	Scope	4
2.1	Functional definition	4
2.2	Field of application	4
2.3	Principles	4
3	References	4
4	Terms and definitions	4
5	Message structure	5
5.1	Data segment clarification	5
5.2	Branching diagram	6
5.3	Segment table	7
6	Segment details	8
6.1	Format and notation	8
6.1.1	Format	8
6.1.2	Notation	9
6.2	Segment implementation guidelines	10
7	EDIFACT reference directory	27
7.1	Formal definition of composites	27
7.2	Formal definition of data elements	31
7.3	Data element code values	36

## **1 Introduction**

This document defines the guidelines for the implementation of the EDIFACT message NHSCYT:0:1:NH:NHS001 which will transfer the intentions of potential blood donors.

## **2 Scope**

### **2.1 Functional definition**

This message provides Cytology acceptances of transferred tests. Data will be transferred between health Authorities.

### **2.2 Field of application**

This message may be applied nationally for all health organisations with EDIFACT capability.

### **2.3 Principles**

The overall structure of the message is one message carrying acceptances of one or more Cytology tests transferred to a new Health Authority.

## **3 References**

See UNTDID, Part 4, Section 2.5, UN/ECE UNSM General Introduction, Section 1.

## **4 Terms and definitions**

See UNTDID, Part 4, Section 2.5, UN/ECE UNSM General Introduction, Section 2.

## 5 Message Structure

### 5.1 Data segment clarification

This section should be read in conjunction with the branching diagram and segment table which indicate mandatory, conditional and repeating requirements.

This subset does not include those groups and segments which are conditional in the EDIFACT message and are not required in this implementation.

All segments, composites and data elements (except those marked as additions) are taken from the UN/EDIFACT D.96B directory.

#### **UNH Message Header**

A service segment starting and uniquely identifying a message. The message type code for this message is NHSCYT.

#### **BGM Beginning of message**

A segment identifying the type of data being carried.

#### **DTM Date/time/period**

A segment specifying the date/time of the message generation.

#### **NAD Name and address information**

A segment specifying the sending and receiving Health Authority .

#### **CNT Control Total**

A segment specifying the number of patient records in the message (records in Segment group 1)

#### **Segment Group 1: SO1-QTY-PNA-DTM-DTM-RAR-NAD**

A group of segments giving information about individual transactions.

##### **S01 Trigger segment 1**

A segment serving as the trigger segment for the group.

##### **QTY Quantity**

A Segment holding the number of characters in the records.

##### **PNA Person name**

A segment carrying identification numbers, names and codes used to identify the party.

##### **DTM Date/time/period**

A segment specifying various dates relating to the transaction.

##### **RAR Result and Recall information**

A segment carrying the cytology result and recall information

##### **NAD Name and Address information**

A segment carrying details of the accepting and redirected Health Authorities.

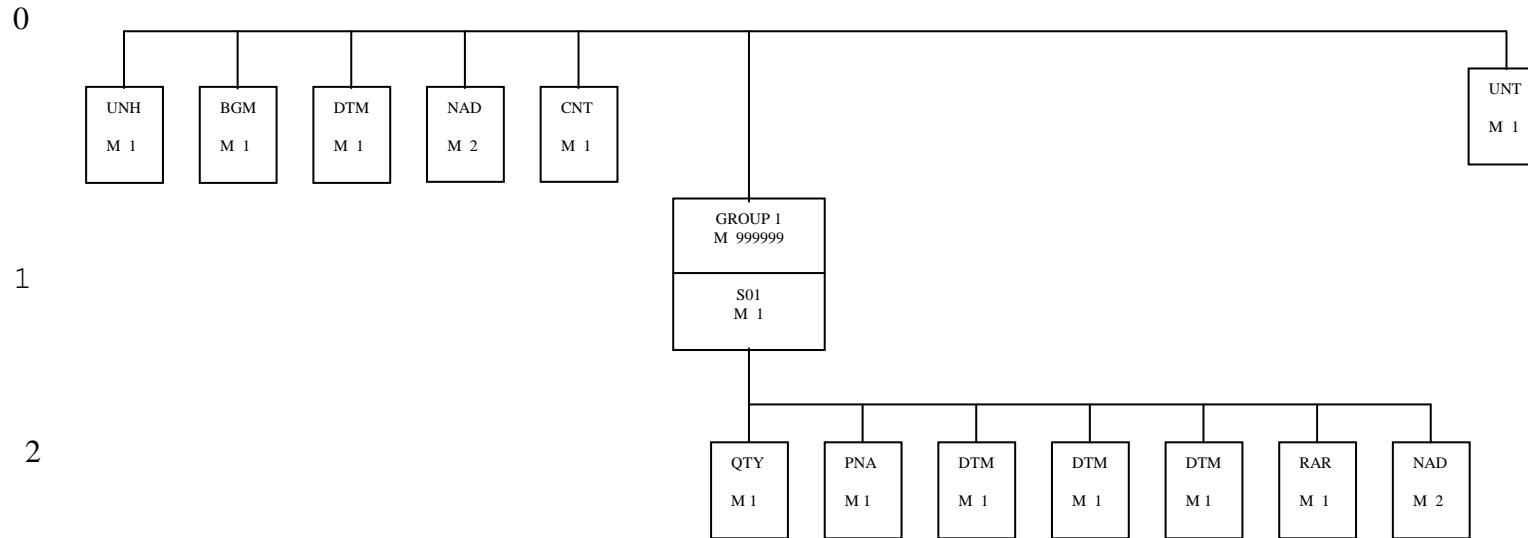
#### **UNT Message trailer**

A service segment ending a message, giving the total number of segments in the message and the control reference number of the message.



## 5.2 Branching Diagram

Level



5.3 Segment Table

<b>UNH</b>	Message Header	M	1
<b>BGM</b>	Beginning of Message	M	1
<b>DTM</b>	Date/time/period	M	1
<b>NAD</b>	Name and Address	M	2
<b>CNT</b>	Control Total	M	1

Segment Group 1	_____	M	999999	
<b>S01</b>	Trigger Segment 1	M	1	
<b>QTY</b>	Quantity	M	1	
<b>PNA</b>	Person Name Details	M	1	
<b>DTM</b>	Date/time/period	M	1	
<b>DTM</b>	Date/time/period	M	1	
<b>RAR</b>	Result and Recall info	M	1	
<b>NAD</b>	Name and Address (HA Details)	M	2	
<b>UNT</b>	Message Trailer	M	1	

## 6 Segment details

### 6.1 Format and notation

#### 6.1.1 Format

The format of each segment follows the structure defined below:

- a) Segment tag and segment name.
- b) General function of the segment.
- c) Usage of the segment, indicating whether the segment is mandatory or conditional (see 6.1.2 Notation).
- d) Comments on the usage of the segment, including any dependency rules for the segment.
- e) A table for the segment, containing the following columns:

**Tag** - The data element or composite number within the segment

**Data element** - The name of the data element or composite

**Usage** - Usage of the data element (see 6.1.2 Notation).

**Repr** - Representation of the data element, indicating whether the data element may be alphabetic only, numeric only, or alphanumeric and indicating the maximum length of the data or its fixed length.

**Description** - *Italic text* describes the data to be used for that data element and normal text is used to list possible code values for the data element.

Before the definition of each segment group there is a segment group initial page. This identifies the segments within the segment group and the function, usage and comments on usage in the same way as defined above for each segment.

In some instances where a segment has more than a single usage a segment initial page is included to list the maximum number of repetitions and all usage of the segment. Following this, there is a separate page defining each use of the segment.

### 6.1.2 Notation

The following usage indicators may be used for segments, segment groups, data elements and composites:

<b>M (Mandatory)</b>	Defined as mandatory in the message definition, must also be mandatory in this Message Implementation Guideline (MIG).
<b>R (Required)</b>	Defined as conditional in the message definition, use is required in this MIG.
<b>A (Advised)</b>	Defined as conditional in the message definition, use is advised or recommended in this MIG.
<b>D (Dependent)</b>	Defined as conditional in the message definition, use is dependent in this MIG under certain circumstances that will be described.
<b>O (Optional)</b>	Defined as conditional in the message definition, use is optional in this MIG.
<b>N (Not used)</b>	Defined as conditional in the message definition, should not be used in this MIG.

“+” in front of a segment tag, composite, data element or code value indicates that this is a new item, and not found within the EDIFACT D.96B directory.

“\*” in front of a segment tag, composite, data element or code value indicates that this is a modified item, compared with the item found within the EDIFACT D.96B directory.

Within the DTM Date/Time/Period segment, the values of the codes for Date/Time/Period format qualifier represent the following (the difference between Month and Minute being easily recognised in context):

CC	=	Century
YY	=	Year
MM	=	Month
DD	=	Day
HH	=	Hour
MM	=	Minute
SS	=	Second

**6.2 Segment implementation guidelines**

**UNH MESSAGE HEADER**

Function: To head, identify and specify a message.

Usage: Mandatory, 1 repetition.

Comments:

Tag	Name	Usage	Repr.	Description
0062	MESSAGE REFERENCE NUMBER	M	an..14	<i>A sender's unique message reference.</i>
S009	MESSAGE IDENTIFIER	M		
0065	Message type	M	an..6	<i>Type of message being transmitted.</i> "NHSCYT" = Cytology - Transmission of acceptances (DFCIN) and redirected acceptances.
0052	Message version number	M	an..3	<i>Version number of the message.</i> "0" = Version number of the message
0054	Message release number	M	an..3	<i>Release number within current version. number.</i> "1" = Release number within the current version number
0051	Controlling Agency	M	an..2	<i>Code to identify the agency controlling the specification, maintenance and publication of the message type.</i> "NH" = NHS Information Authority
0057	Association assigned code	R	an..6	<i>A code identifying the Message Implementation Guidelines for the message type.</i> "NHS001" = MIG version number 1
0068	COMMON ACCESS REFERENCE	N	an..35	
S010	STATUS OF THE TRANSFER	N		

**BGM BEGINNING OF MESSAGE**

Function: To indicate the beginning of a message and to transmit the data type.

Usage: Mandatory, 1 repetition.

Comments: This segment is used to carry a data type for the message, which indicates its use.

Tag	Name	Usage	Repr.	Description
C002	DOCUMENT/MESSAGE NAME	M		
1001	Document/message name, coded	M	an..3	+“CAT” – Cytology Acceptances of Transferred tests
1131	Code list qualifier	N	an..3	
3055	Code list responsible agency, coded	N	an..3	
1000	Document/message name	N	an..35	
C106	DOCUMENT/MESSAGE IDENTIFICATION	M		
1004	Document/message number	M	an..35	<i>File sequence number</i>
1056	Version	N	an..9	
1060	Revision number	N	an..6	
1225	MESSAGE FUNCTION, CODED	M	an..3	<i>Identification data type of the message.</i> +“008” = Cytology Transmission of acceptances
4343	RESPONSE TYPE, CODED	N	an..3	

**DTM DATE/TIME/PERIOD**

Function: To specify date, and/or time, or period.

Usage: Mandatory, maximum 1 repeat.

Comments: This segment is used to carry the date and time the message was translated.

Tag	Name	Usage	Repr.	Description
C507	DATE/TIME/PERIOD	M		
2005	Date/time/period qualifier	M	an..3	Code for type of date/time "137" = Document message date/time
2380	Date/time/period	R	an..35	Date the message was actioned.
2379	Date/time/period format qualifier	R	an..3	Code for format of date/time "102" = CCYYMMDD

**+NAD NAME AND ADDRESS**

Function: To identify relevant parties.

Usage: Mandatory, 2 repetitions.

Comments: Two occurrences to identify the cipher of the sending and receiving health authorities.

No	Data Element	Usage	Repr.	Value/Description/Dependency rules
3035	PARTY QUALIFIER	M	an..3	Code for type of healthcare party "SFH" = Sending Health authority "RHA" = Receiving Health Authority
C082	PARTY IDENTIFICATION DETAILS	M		M
3039	Party id identification	M	An..17	Health authority cipher
1131	Code list qualifier	M	an..3	Code list specifying the healthcare registration identification "ZZZ" = Mutually defined
3055	Code list responsible agency, coded	N	an..3	
C058	NAME AND ADDRESS	N		
3124	Name and address line	N	An..35	
3124	Name and address line	N	An..35	

3124	Name and address line	N	An..35	
3124	Name and address line	N	An..35	
3124	Name and address line	N	An..35	
C080	PARTY NAME	N		
3036	Party name	N	An..35	
3036	Party name	N	An..35	
3036	Party name	N	An..35	
3036	Party name	N	An..35	
3036	Party name	N	An..35	
3045	Party name format, coded	N	An..3	
C059	STREET	N		
3042	Street and number/P.O. Box	N	An..35	
3042	Street and number/P.O. Box	N	An..35	
3042	Street and number/P.O. Box	N	An..35	
3164	CITY NAME	N	An..35	
3229	COUNTRY SUB-ENTITY IDENTIFICATION	N	an..9	
3251	POSTCODE IDENTIFICATION	N	an..9	
3207	COUNTRY, CODED	N	an..3	



**CNT CONTROL TOTAL**

Function: To provide a control total.

Usage: Mandatory, maximum 1 repeat

Comments: This segment is required to carry the total number of transactions being sent in the message.

Tag	Name	Usage	Repr.	Description
C270	CONTROL	M		
6069	Control qualifier	M	an..3	<i>Determines the source data elements in the message which forms the basis for 6066 Control value .</i>
6066	Control value	M	n..18	<i>Total number of transactions in the message</i>
6411	Measure unit qualifier	N	an..3	

**Segment Group 1: S01-PNA-DTM-DMT-RAR-NAD**

Function: To provide details about a transaction.

Usage: Mandatory, maximum 999999 repeats.

Comments: This segment group is used to convey details about a transaction. Each transaction carries information relating to a potential blood donor.

**S01 TRIGGER SEGMENT SG1**

Function: To act as a trigger segment for group when no other segment is appropriate.

Usage: Mandatory.

Comments:

Tag	Name	Usage	Repr.	Description
C851	SEGMENT GROUP USAGE DETAILS	M		
9811	Segment group usage, coded	R	an..3	"1" = group 1 trigger segment
1131	Code list qualifier	N	an..3	
3055	Code list responsible agency, coded	N	an..3	
9810	Segment group usage	N	an..70	

**+QTY QUANTITY**

Function: To specify pertinent quantities.

Usage: Mandatory.

Comments: This segment is used to transfer the number of characters contained in the record.

No	Data Element	Usage	Repr.	Value/Description/Dependency rules
*C186	QUANTITY DETAILS	R		
6063	Quantity qualifier	M	an..3	"956" = Size of record
6060	Quantity	M	an..15	<i>Numerical value of number of characters contained within record</i>
+C848	MEASUREMENT UNIT DETAILS	N		
*6411	Measurement unit identification	N	an..17	
1131	Code list qualifier	N	an..3	
3055	Code list responsible agency, coded	N	an..3	
+6410	Measurement unit	N	an..35	

**PNA PERSON NAME**

Function: To specify information necessary to establish the identity of a party.

Usage: Optional, maximum 1 repeat.

Comments: This segment is required to carry details necessary to identify a potential blood donor.

One occurrence of this segment provides the surname, forename and current NHS number.

One occurrence of this segment provides the previous NHS number.

The surname, forename and current NHS number are mandatory when being sent by a Health Authority.

Tag	Name	Usage	Repr.	Description
3035	PARTY QUALIFIER	M	an..3	Code giving specific meaning to a party. "PAT" = Patient
C206	IDENTIFICATION NUMBER	O		
7402	Identity number	M	an..35	<i>Patient identifier</i>
7405	Identity number qualifier	R	an..3	Code specifying the type/source of identity number. "OPI" = Official patient identifier (NHS number)
3403	NAME TYPE, CODED	N	an..3	
3397	NAME STATUS, CODED	N	an..3	
3405	Name component qualifier	O M	an..3	<i>To indicate a part of the name such as family name or given name.</i> "SU" = Family Name
3398	Name component	R	an..70	<i>Name component</i>
3401	Name component status, coded	N	an..3	
3295	Name component original representation, coded	N	an..3	
C816	NAME COMPONENT DETAILS	O		
3405	Name component qualifier	M	an..3	<i>To indicate a part of the name such as family name or given name.</i> "FO" = First given name
3398	Name component	R	an..70	<i>Name component</i>
3401	Name component status, coded	N	an..3	
3295	Name component original representation, coded	N	an..3	

C816	NAME COMPONENT DETAILS	O		
3405	Name component qualifier	M	an..3	<i>To indicate a part of the name such as family name or given name.</i>  "MI" = Middle Name
3398	Name component	R	an..70	<i>Name component</i>
3401	Name component status, coded	N	an..3	
3295	Name component original representation, coded	N	an..3	
C816	NAME COMPONENT DETAILS	N		
3405	Name component qualifier	N	an..3	
3398	Name component	N	an..70	
3401	Name component status, coded	N	an..3	
3295	Name component original representation, coded	N	an..3	
C816	NAME COMPONENT DETAILS	N		
3405	Name component qualifier	N	an..3	
3398	Name component	N	an..70	
3401	Name component status, coded	N	an..3	
3295	Name component original representation, coded	N	an..3	

**DTM            DATE/TIME/PERIOD**

Function:        To specify date, and/or time, or period.

Usage:            Mandatory, 3 repeats .

Comments:        Three occurrences of this segment produce Date of Birth, Date results transferred and Date test due.

Tag	Name	Usage	Repr.	Description
C507	DATE/TIME/PERIOD	M		
2005	Date/time/period qualifier	M	an..3	<i>Code giving specific meaning to a date, time or period.</i> “329”                    = Date of Birth +“949” = Date results transferred from previous Health Authority “861”                    = Date test due (Recall date)
2380	Date/time/period	R	an..35	<i>Date</i>
2379	Date/time/period format qualifier	R	an..3	<i>Specification of the representation of a date, a date and time or of a period.</i> “102”                    = CCYYMMDD

**+RAR RESULT AND RECALL**

Function: To specify the result and recall information for a given patient.

Usage: Mandatory, one occurrence.

Comments:

Tag	Name	Usage	Repr.	Description
C961	TEST RESULT	R		
9532	Result, coded	M	an..3	Values: "1","2","3","4","5","6","7","8","B","M" or "N"
1131	Code list qualifier	N	an..3	
3055	Code list responsible agency, coded	N	an..3	
C951	CALL/RECALL STATUS	N	an..3	
9518	Call/Recall, coded	N	an..3	Recall type code
1131	Code list qualifier	N	an..3	
3055	Code list responsible agency, coded	N	an..3	
4774	Textual equivalent of the associated coded representation	N	an..35	
C507	DATE/TIME/PERIOD	M		
2005	Date/Time/Period qualifier	N	an..3	
2782	Date/Time/Period	M	an..35	Date test was taken.
2781	Date/Time/Period format	M	an..3	Code for format of date/time: '102' = CCYYMMDD
9818	TEST RESULT, TEXT	M	an..35	
C989	ACTION CODE	M		
9805	Action Code	M	An..3	Test action code "A" = Negative "I" = Inadequate "R" = Repeat Advised "S" = Suspended
1131	Code list qualifier	N	An..3	
3055	Code list responsible agency, coded	N	An..3	
C990	ACTION RECOMMENDATION	N		
9806	Recommended Action, Coded	N	An..3	
1131	Code list qualifier	N	An..3	
3055	Code list responsible agency, coded	N	An..3	
C991	REASON FOR ACTION	N		
9807	Reason for Action, Coded	N	An..3	
1131	Code list qualifier	N	An..3	

3055	Code list responsible agency, coded	N	An..3	
9804	NHS MARKER	N	An..3	

**+NAD NAME AND ADDRESS**

Function: To identify relevant parties.

Usage: Mandatory, 2 repetitions.

Comments: Two occurrences to identify:

- 1) Cipher of HA who have accepted responsibility for follow up of Repeat advised or Suspended tests
- 2) Cipher of the HA to whom the tests have been redirected.

No	Data Element	Usage	Repr.	Value/Description/Dependency rules
3035	PARTY QUALIFIER	M	an..3	Code for type of healthcare party +"AHA" = Accepting Health authority +"THA" = 'Redirected to' Health Authority
C082	PARTY IDENTIFICATION DETAILS	M		
3039	Party id identification	M	An..17	Health authority cipher
1131	Code list qualifier	M	an..3	Code list specifying the healthcare registration identification "ZZZ" = Mutually defined
3055	Code list responsible agency, coded	N	an..3	
C058	NAME AND ADDRESS	N		
3124	Name and address line	N	An..35	
3124	Name and address line	N	An..35	
3124	Name and address line	N	An..35	
3124	Name and address line	N	An..35	
3124	Name and address line	N	An..35	
C080	PARTY NAME	N		
3036	Party name	N	An..35	
3036	Party name	N	An..35	
3036	Party name	N	An..35	
3036	Party name	N	An..35	
3036	Party name	N	An..35	
3045	Party name format, coded	N	An..3	
C059	STREET	N		
3042	Street and number/P.O. Box	N	An..35	

3042	Street and number/P.O. Box	N	An..35	
3042	Street and number/P.O. Box	N	An..35	
3164	CITY NAME	N	An..35	
3229	COUNTRY SUB-ENTITY IDENTIFICATION	N	an..9	
3251	POSTCODE IDENTIFICATION	N	an..9	
3207	COUNTRY, CODED	N	an..3	



**UNT MESSAGE TRAILER**

Function: To end and check the completeness of a message.

Usage: Mandatory.

Comments:

<b>Tag</b>	<b>Name</b>	<b>Usage</b>	<b>Repr.</b>	<b>Description</b>
0074	NUMBER OF SEGMENTS IN A MESSAGE	M	n..6	<i>Count of the number of segments in the message, including the UNH and UNT segments.</i>
0062	MESSAGE REFERENCE NUMBER	M	an..14	<i>Sender's unique message reference, identical to 0062 in UNH segment.</i>

## 7 EDIFACT reference directory)

### 7.1 Formal definition of composites

#### Listing of composites by Tag

C002	DOCUMENT/MESSAGE NAME
C106	DOCUMENT/MESSAGE IDENTIFICATION
C507	DATE/TIME/PERIOD
+C851	SEGMENT GROUP USAGE DETAILS
C206	IDENTIFICATION NUMBER
C816	NAME COMPONENT DETAILS
C507	DATE/TIME/PERIOD
C961	TEST RESULT
C951	CALL/RECALL STATUS
C989	ACTION CODE
C990	ACTION RECOMMENDATION
C991	REASON FOR ACTION
C082	PARTY IDENTIFICATION DETAILS
C058	NAME AND ADDRESS
C080	PARTY NAME
C059	STREET

Composite specifications

<b>C002</b>	<b>DOCUMENT/MESSAGE NAME</b>	<b>M</b>	
1001	Document/message name, coded	M	an..3
1131	Code list qualifier	N	an..3
3055	Code list responsible agency, coded	N	an..3
1000	Document/message name	N	an..35
<b>C106</b>	<b>DOCUMENT/MESSAGE IDENTIFICATION</b>	<b>M</b>	
1004	Document/message number	M	an..35
1056	Version	N	an..9
1060	Revision number	N	an..6
<b>C507</b>	<b>DATE/TIME/PERIOD</b>	<b>M</b>	
2005	Date/time/period qualifier	M	an..3
2380	Date/time/period	R	an..35
2379	Date/time/period format qualifier	R	an..3
<b>C851</b>	<b>SEGMENT GROUP USAGE DETAILS</b>	<b>M</b>	
9811	Segment group usage, coded	R	an..3
1131	Code list qualifier	N	an..3
3055	Code list responsible agency, coded	N	an..3
9810	Segment group usage	N	an..70
<b>C206</b>	<b>IDENTIFICATION NUMBER</b>	<b>O</b>	
7402	Identity number	M	an..35
7405	Identity number qualifier	R	an..3
<b>C816</b>	<b>NAME COMPONENT DETAILS</b>	<b>O</b>	
3405	Name component qualifier	M	an..3
3398	Name component	R	an..70
3401	Name component status, coded	N	an..3
3295	Name component original representation, coded	N	an..3
<b>C507</b>	<b>DATE/TIME/PERIOD</b>	<b>M</b>	
2005	Date/time/period qualifier	M	an..3
2380	Date/time/period	R	an..35
2379	Date/time/period format qualifier	R	an..3
<b>C961</b>	<b>TEST RESULT</b>	<b>R</b>	
9532	Result, coded	M	an..3
1131	Code list qualifier	N	an..3
3055	Code list responsible agency, coded	N	an..3
<b>C951</b>	<b>CALL/RECALL STATUS</b>	<b>N</b>	
9518	Call/Recall, coded - Recall type code	N	an..3
1131	Code list qualifier	N	an..3

3055	Code list responsible agency, coded	N	an..3
4774	Textual equivalent of the associated coded representation	N	an..35
<b>C507</b>	<b>DATE/TIME/PERIOD</b>	<b>M</b>	
2005	Date/Time/Period qualifier	N	an..3
2782	Date/Time/Period	M	an..35
2781	Date/Time/Period format	M	an..3
<b>C989</b>	<b>ACTION CODE</b>	<b>M</b>	
9805	Action Code	M	an..3
1131	Code list qualifier	N	an..3
3055	Code list responsible agency, coded	N	an..3
<b>C990</b>	<b>ACTION RECOMMENDATION</b>	<b>N</b>	
9806	Recommended Action, Coded	N	an..3
1131	Code list qualifier	N	an..3
3055	Code list responsible agency, coded	N	an..3
<b>C991</b>	<b>REASON FOR ACTION</b>	<b>N</b>	
9807	Reason for Action, Coded	N	an..3
1131	Code list qualifier	N	an..3
3055	Code list responsible agency, coded	N	an..3
<b>C082</b>	<b>PARTY IDENTIFICATION DETAILS</b>	<b>M</b>	
3039	Party id identification	M	an..17
1131	Code list qualifier	M	an..3
3055	Code list responsible agency, coded	N	an..3
<b>C058</b>	<b>NAME AND ADDRESS</b>	<b>N</b>	
3124	Name and address line	N	an..35
3124	Name and address line	N	an..35
3124	Name and address line	N	an..35
3124	Name and address line	N	an..35
3124	Name and address line	N	an..35
<b>C080</b>	<b>PARTY NAME</b>	<b>N</b>	
3036	Party name	N	an..35
3036	Party name	N	an..35
3036	Party name	N	an..35
3036	Party name	N	an..35
3036	Party name	N	an..35
3045	Party name format, coded	N	an..3

## 7.2 Formal definition of data elements

### Listing of data elements by Tag

0051	CONTROLLING AGENCY
0052	MESSAGE VERSION NUMBER
0054	MESSAGE RELEASE NUMBER
0057	ASSOCIATION ASSIGNED CODE
0062	MESSAGE REFERENCE NUMBER
0062	MESSAGE REFERENCE NUMBER
0065	MESSAGE TYPE
0068	COMMON ACCESS REFERENCE
0074	NUMBER OF SEGMENTS IN A MESSAGE
1000	DOCUMENT/MESSAGE NAME
1001	DOCUMENT/MESSAGE NAME, CODED
1004	DOCUMENT/MESSAGE NUMBER
1056	VERSION
1060	REVISION NUMBER
1131	CODE LIST QUALIFIER
1225	MESSAGE FUNCTION, CODED
2005	DATE/TIME/PERIOD QUALIFIER
2379	DATE/TIME/PERIOD FORMAT QUALIFIER
2380	DATE/TIME/PERIOD
2781	DATE/TIME/PERIOD FORMAT
2782	DATE/TIME/PERIOD
3035	PARTY QUALIFIER
3036	PARTY NAME
3039	PARTY ID IDENTIFICATION
3042	STREET AND NUMBER/P.O. BOX
3045	PARTY NAME FORMAT, CODED
3055	CODE LIST RESPONSIBLE AGENCY, CODED
3124	NAME AND ADDRESS LINE
3164	CITY NAME
3207	COUNTRY, CODED
3229	COUNTRY SUB-ENTITY IDENTIFICATION
3251	POSTCODE IDENTIFICATION
3295	NAME COMPONENT ORIGINAL REPRESENTATION, CODED
3397	NAME STATUS, CODED
3398	NAME COMPONENT
3401	NAME COMPONENT STATUS, CODED
3403	NAME TYPE, CODED
3405	NAME COMPONENT QUALIFIER
4343	RESPONSE TYPE, CODED
4774	TEXTUAL EQUIVALENT OF THE ASSOCIATED CODED REPRESENTATION
7402	IDENTITY NUMBER
7405	IDENTITY NUMBER QUALIFIER
9518	CALL/RECALL, CODED - RECALL TYPE CODE
9532	RESULT, CODED
9804	NHS MARKER

9805 ACTION CODE  
9806 RECOMMENDED ACTION, CODED  
9807 REASON FOR ACTION, CODED  
9810 SEGMENT GROUP USAGE  
9811 SEGMENT GROUP USAGE, CODED  
9818 TEST RESULT, TEXT

### 7.3 Data element code values

#### 1001 Document/message name, coded

+“CAT” Cytology Acceptances of Transferred tests

#### 1225 MESSAGE FUNCTION, CODED

+“008” Cytology Transmission of acceptances

#### 2005 Date/time/period qualifier

“137” Document message date/time

“329” Date of birth

+“949” Date results transferred from previous Health Authority

“861” Date test due (Recall date)

#### 2379 Date/time/period format qualifier

“102” CCYYMMDD

#### 3035 PARTY QUALIFIER

”SFH” Sending Health authority

”RHA” Receiving Health Authority

+”AHA” Accepting Health authority

+”THA” ‘Redirected to’ Health Authority

#### 1131 Code list qualifier

“ZZZ” Mutually defined

#### 6069 Control qualifier

“31” Number of messages

#### 9811 Segment group usage, coded

"1" Group 1 trigger segment

#### 6063 Quantity qualifier

”956” Size of record

#### 7405 Identity number qualifier

"OPI" Official patient identifier (NHS number)

#### 3405 Name component qualifier

"SU" Family Name

“FO” First given name

“MI” Middle Name

#### 9532 Result, coded

Values: “1”, “2”, “3”, “4”, “5”, “6”, “7”, “8”, “B”, “M” or “N”


#### 9805 Action Code

“A” Negative

“T” Inadequate

“R” Repeat Advised

“S” Suspended

	<b>HPV Vaccine Message Implementation Guidelines</b> <b>NHSHPV:0:1:NH:NHS001</b>			
	<b>Programme</b>	NPFIT	<b>Document Record ID Key</b>	
	<b>Sub-Prog / Project</b>	Systems and Service Delivery		
	<b>Prog. Director</b>	Sean Walsh	Status	Approved
	<b>Owner</b>	Bill Heard	Version	1.0
	<b>Author</b>	Adrian Gilliatt-Wall	Version Date	23.08.2008

**HPV Vaccine**  
**Message Implementation Guidelines**  
**NHSHPV:0:1:NH:NHS001**



**Amendment History:**

Version	Date	Amendment History
0.1		First draft for comment
0.2	30.07.2008	Amendments made by PEPA
1.0	23.08.2008	Make 0.2 the approved version

**Forecast Changes:**

Anticipated Change	When

**Reviewers:**

This document must be reviewed by the following:<author to indicate reviewers>

Name	Signature	Title / Responsibility	Date	Version

**Approvals:**

This document must be approved by the following: <author to indicate approvers>

Name	Signature	Title / Responsibility	Date	Version

**Distribution:**

Staff involved in development of this message

**Document Status:**

This is a controlled document.

Whilst this document may be printed, the electronic version maintained in FileCM is the controlled copy. Any printed copies of the document are not controlled.

**Related Documents:**

These documents will provide additional information.

Ref no	Doc Reference Number	Title	Version
1		Mediator Reference Manual	

**Glossary of Terms:**

List any new terms created in this document. Mail the NPO Quality Manager to have these included in the master glossary above [1].

Term	Acronym	Definition

---

**Contents**

1	About this Document .....	4
1.1	Purpose .....	4
1.2	Audience .....	4
1.3	Scope .....	4
1.3.1	Functional definition	4
1.3.2	Field of application	4
1.3.3	Principles	4
1.3.4	References	4
1.3.5	Terms and definitions	4
2	Message Structure .....	5
2.1	Data segment clarification .....	5
3	Branching Diagram .....	7
4	Segment Table .....	8
5	Segment Details .....	9
5.1	Format and notation .....	9
5.1.1	Format	9
5.1.2	Notation	10
5.2	Segment implementation guidelines.....	11
6	EDIFACT reference directory .....	22
6.1	Formal definition of composites.....	22
7	Formal definition of data items .....	24
8	Data element code values .....	27

# **1 About this Document**

## **1.1 Purpose**

This document defines the guidelines for the implementation of the EDIFACT message NHSHPV:0:1:NH:NHS001 for the HPV Vaccine Data Capture process.

## **1.2 Audience**

All members of the distribution list.

## **1.3 Scope**

### **1.3.1 Functional definition**

This message is required to pass data required for HPV Vaccine Data Capture between NHAIS 'Exeter' Systems.

### **1.3.2 Field of application**

This message may be applied nationally to NHAIS 'Exeter' Systems in England and Wales with EDIFACT capability.

### **1.3.3 Principles**

The overall structure of the message is one message carrying deducted patients with HPV Vaccination histories.

### **1.3.4 References**

See UNTDID, Part 4, Section 2.5, UN/ECE UNSM General Introduction, Section 1.

### **1.3.5 Terms and definitions**

See UNTDID, Part 4, Section 2.5, UN/ECE UNSM General Introduction, Section 2.

## 2 Message Structure

### 2.1 Data segment clarification

This section should be read in conjunction with the branching diagram and segment table which indicate mandatory, conditional and repeating requirements.

This subset does not include those groups and segments which are conditional in the EDIFACT message and are not required in this implementation.

All segments, composites and data elements (except those marked as additions) are taken from the UN/EDIFACT D.96B directory.

Syntax level A version 2 will be used

#### **UNH Message Header**

A service segment starting and uniquely identifying a message. The message type code for this message is NHSHPV.

#### **BGM Beginning of message**

A segment identifying the type of data being carried.

#### **DTM Date/time/period**

A segment specifying the dates relevant to the date and time of the message transfer

#### **PNA PARTY NAME and address**

A segment specifying the sending database ciphers.

#### **Segment Group 1 for HPV Details:S01- RFF-PNA-DTM-DTM-DTM-RFF-RFF-PNA**

A group of segments identifying and giving details of patient HPV Vaccine Histories

#### **S01 Trigger Segment 1**

A segment serving as the trigger segment for the group

#### **RFF Reference**

A segment specifying the HPV Vaccine record type

#### **PNA PARTY NAME and address**

A segment specifying patient data.

**DTM Date/time/period**

A segment specifying the date relevant to the patient Date of Birth

**Segment Group 2 for HPV Details: RFF-DTM-DTM-RFF-RFF-PNA**

A group of segments identifying and giving details of patient HPV Vaccine Histories

**RFF Reference**

A segment specifying the HPV Vaccine record type

**DTM Date/time/period**

A segment specifying the date relevant to the HPV Vaccination Date

**DTM Date/time/period**

A segment specifying the date relevant to the HPV Vaccination record Date Stamp

**RFF Reference**

A segment specifying the HPV Vaccine status

**RFF Reference**

A segment specifying the HPV Vaccine type

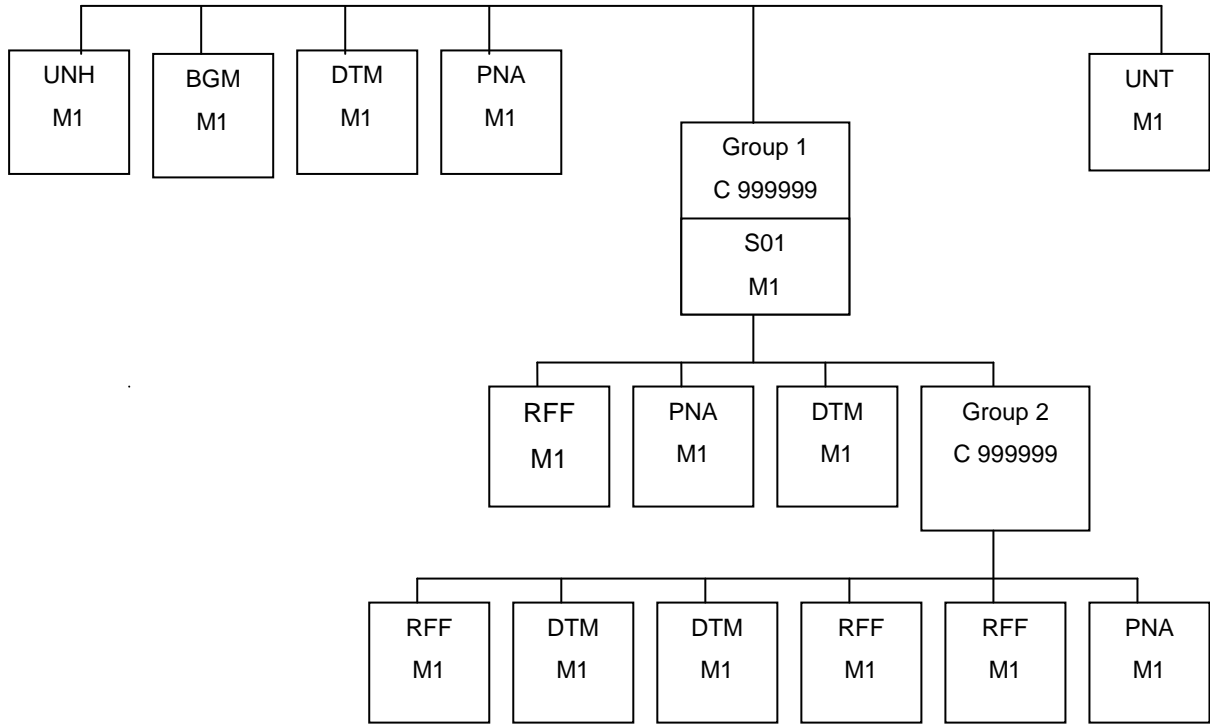
**PNA**

A segment specifying the user ID

**UNT**

A service segment ending a message, giving the total number of segments in the message and the control reference number of the message.

### 3 Branching Diagram



## 4 Segment Table

<b>UNH</b>	Message Header	M	1
<b>BGM</b>	Beginning of Message	M	1
<b>DTM</b>	Date/time/period	M	1
<b>PNA</b>	Party Name	M	1
Segment Group 1		C 999999	
<b>S01</b>	Trigger Segment	M	1
<b>RFF</b>	Reference	M	1
<b>PNA</b>	Party Name	M	1
<b>DTM</b>	Date/time/period	M	1
Segment Group 2		C 999999	
<b>RFF</b>	Reference	M	1
<b>DTM</b>	Date/time/period	M	1
<b>DTM</b>	Date/time/period	M	1
<b>RFF</b>	Reference	M	1
<b>RFF</b>	Reference	M	1
<b>PNA</b>	Party Name	M	1
<b>UNT</b>	Message Trailer	M	1

## 5 Segment Details

### 5.1 Format and notation

#### 5.1.1 Format

The format of each segment follows the structure defined below:

- a) Segment tag and segment name.
- b) General function of the segment.
- c) Usage of the segment, indicating whether the segment is mandatory or conditional (see 6.1.2 Notation).
- d) Comments on the usage of the segment, including any dependency rules for the segment.
- e) A table for the segment, containing the following columns:

**Tag** - The data element or composite number within the segment

**Data element** - The name of the data element or composite

**Usage** - Usage of the data element (see 6.1.2 Notation).

**Repr** - Representation of the data element, indicating whether the data element may be alphabetic only, numeric only, or alphanumeric and indicating the maximum length of the data or its fixed length

**Description** - *Italic text* describes the data to be used for that data element and *normal text* is used to list possible code values for the data element.

Before the definition of each segment group there is a segment group initial page. This identifies the segments within the segment group and the function, usage and comments on usage in the same way as defined above for each segment.

In some instances where a segment has more than a single usage a segment initial page is included to list the maximum number of repetitions and all usage of the segment. Following this, there is a separate page defining each use of the segment.



### 5.1.2 Notation

The following usage indicators may be used for segments, segment groups, data elements and composites:

**M (Mandatory)** Defined as mandatory in the message definition, must also be mandatory in this Message Implementation Guideline (MIG).

**R (Required)** Defined as conditional in the message definition, use is required in this MIG.

**A (Advised)** Defined as conditional in the message definition, use is advised or recommended in this MIG.

**D (Dependent)** Defined as conditional in the message definition, use is dependent in this MIG under certain circumstances that will be described.

**O (Optional)** Defined as conditional in the message definition, use is optional in this MIG.

**N (Not used)** Defined as conditional in the message definition, should not be used in this MIG.

“+” in front of a segment tag, composite, data element or code value indicates that this is a new item, and not found within the EDIFACT D.96B directory.

“\*” in front of a segment tag, composite, data element or code value indicates that this is a modified item, compared with the item found within the EDIFACT D.96B directory.

Within the DTM Date/Time/Period segment, the values of the codes for Date/Time/Period format qualifier represent the following (the difference between Month and Minute being easily recognised in context):

CC = Century

YY = Year

MM = Month

DD = Day

HH = Hour

MM = Minute

SS = Second

## 5.2 Segment implementation guidelines

### UNH MESSAGE HEADER

Function: To head, identify and specify a message.

Usage: Mandatory, 1 repetition.

Comments:

Tag	Name	Usage	Repr.	Description
0062	MESSAGE REFERENCE NUMBER	M	an..14	<i>A sender's unique message reference.</i>
S009	MESSAGE IDENTIFIER	M		
0065	Message type	M	an..6	<i>Type of message being transmitted.</i> "NHSHPV" = Cytology - Transmission of deducted patients with HPV Vaccination history.
0052	Message version number	M	an..3	<i>Version number of the message.</i> "0" = Version number of the message
0054	Message release number	M	an..3	<i>Release number within current version. number.</i> "1" = Release number within the current version number
0051	Controlling Agency	M	an..2	<i>Code to identify the agency controlling the specification, maintenance and publication of the message type.</i> "NH" = NHS Connecting for Health
0057	Association assigned code	R	an..6	<i>A code identifying the Message Implementation Guidelines for the message type.</i> "NHS001" = MIG version number 1
0068	COMMON ACCESS REFERENCE	N	an..35	
S010	STATUS OF THE TRANSFER	N		

**BGM BEGINNING OF MESSAGE**

Function: To indicate the beginning of a message and to transmit the data type.

Usage: Mandatory, 1 repetition.

Comments: This segment is used to carry a data type for the message, which indicates its use.

Tag	Name	Usage	Repr.	Description
C002	DOCUMENT/MESSAGE NAME	C		
1001	Document/message name, coded	C	an..3	
1131	Code list qualifier	C	an..3	
3055	Code list responsible agency, coded	C	an..3	
1000	Document/message name	C	an..35	
C106	DOCUMENT/MESSAGE IDENTIFICATION	C		
1004	Document/message number	C	an..35	
1056	Version	C	an..9	
1060	Revision number	C	an..6	
1225	MESSAGE FUNCTION, CODED	R	an..3	<i>Code indicating the function of the message. +"007" = Cytology Transmission of deduced patients with HPV Vaccination History</i>
4343	RESPONSE TYPE, CODED	C	an..3	

**DTM            DATE/TIME/PERIOD**

Function:        To specify date, and/or time, or period.

Usage:            Mandatory, maximum 1 repeat.

Comments:        This segment is used to carry the date and time the message was generated.

<b>Tag</b>	<b>Name</b>	<b>Usage</b>	<b>Repr.</b>	<b>Description</b>
C507	DATE/TIME/PERIOD	M		
2005	Date/time/period qualifier	M	an..3	<i>Code for type of date/time</i> "137"
2380	Date/time/period	R	an..35	<i>Date the message was translated.</i>
2379	Date/time/period format qualifier	R	an..3	<i>Code for format of date/time</i> "102" = CCYYMMDD

**PNA PARTY NAME**

Function: To specify information necessary to establish the identity of a party.

Usage: Mandatory, 1 repetition

Comments: Two occurrences to identify the cipher of the sending and receiving health authorities.

Tag	Name	Usage	Repr.	Description
3035	PARTY QUALIFIER	M	an..3	<i>Code giving specific meaning to a party.</i> "SFH" = Sending Health authority "RHA" = Receiving Health Authority
C206	IDENTIFICATION NUMBER	R		
7402	Identity number	M	an..35	<i>Health Authority cipher</i>
7405	Identity number qualifier	N	an..3	
4405	Status, coded	N	an..3	
C082	PARTY IDENTIFICATION DETAILS	N		
3039	Party id. identification	N	an..35	
1131	Code list qualifier	N	an..3	
3055	Code list responsible agency, coded	N	an..3	
3403	NAME TYPE, CODED	N	an..3	
3397	NAME STATUS, CODED	N	an..3	
C816	NAME COMPONENT DETAILS	N		
3405	Name component qualifier	N	an..3	
3398	Name component	N	an..70	
3401	Name component status, coded	N	an..3	
3295	Name component original representation, coded	N	an..3	
C816	NAME COMPONENT DETAILS	N		
3405	Name component qualifier	N	an..3	
3398	Name component	N	an..70	
3401	Name component status, coded	N	an..3	
3295	Name component original representation, coded	N	an..3	
C816	NAME COMPONENT DETAILS	N		

3405	Name component qualifier	N	an..3
3398	Name component	N	an..70
3401	Name component status, coded	N	an..3
3295	Name component original representation, coded	N	an..3

### Segment Group 1: S01-RFF-PNA-DTM

Function: To hold deducted patient Registration details

Usage: Required maximum 999999 repeats.

Comments: This segment group is used to convey Registration details about deducted patients with HPV Vaccination histories.

### S01 TRIGGER SEGMENT

Function: To act as a trigger segment when no other segment is appropriate.

Usage: Mandatory, maximum one repeat.

Comments:

Tag	Name	Usage	Repr.	Description
C851	SEGMENT GROUP USAGE DETAILS	M		
9811	Segment group usage, coded	N	an..3	
1131	Code list qualifier	N	an..3	
3055	Code list responsible agency, coded	N	an..3	
9810	Segment group usage	R	an..70	"S01"

**RFF REFERENCE**

Function: To specify a reference for the transfer of data.

Usage: Mandatory, maximum one repeat.

Comments: This segment is used to specify the HPV Vaccine Record Type.

No	Data Element	Usage	Repr.	Value/Description/Dependency rules
C506	REFERENCE	M		
1153	Reference qualifier	M	an..3	<i>Code to identify the HPV Vaccine Status being transferred.</i> "965" = HPV Vaccine Record Type
1154	Reference number	M	an..35	<i>The record type code for the data being transferred.</i> 2 = Registration data

**PNA PARTY NAME**

Function: To specify information necessary to establish the identity of a party.

Usage: Mandatory, 1 repetition

Comments: This segment is required to carry details necessary to identify deducted patients with HPV Vaccination Histories.

One occurrence of this segment provides the surname, forename.

One occurrence of this segment provides the previous NHS number.

The surname, forename and current NHS number are mandatory when being sent by a Health Authority.

Tag	Name	Usage	Repr.	Description
3035	PARTY QUALIFIER	M	an..3	<i>Code giving specific meaning to a party.</i> "PAT" = Patient
C206	IDENTIFICATION NUMBER	M		
7402	Identity number	M	an..35	<i>Patient identifier</i>
7405	Identity number qualifier	R	an..3	<i>Code specifying the type/source of identity number.</i> "OPI" = Official patient identifier (NHS number)
4405	Status, coded	N	an..3	
C082	PARTY IDENTIFICATION	N		

	DETAILS			
3039	Party id. identification	N	an..35	
1131	Code list qualifier	N	an..3	
3055	Code list responsible agency, coded	N	an..3	
3403	NAME TYPE, CODED	N	an..3	
3397	NAME STATUS, CODED	N	an..3	
C816	NAME COMPONENT DETAILS	M		
3405	Name component qualifier	M	an..3	<i>To indicate a part of the name such as family name or given name. "SU" = Family Name</i>
3398	Name component	R	an..70	<i>Name component</i>
3401	Name component status, coded	N	an..3	
3295	Name component original representation, coded	N	an..3	
C816	NAME COMPONENT DETAILS	M		
3405	Name component qualifier	M	an..3	<i>To indicate a part of the name such as family name or given name. "FO" = First given name</i>
3398	Name component	R	an..70	<i>Name component</i>
3401	Name component status, coded	N	an..3	
3295	Name component original representation, coded	N	an..3	
C816	NAME COMPONENT DETAILS	M		
3405	Name component qualifier	M	an..3	<i>To indicate a part of the name such as family name or given name. "MI" = Middle Name</i>
3398	Name component	R	an..70	<i>Name component</i>
3401	Name component status, coded	N	an..3	
3295	Name component original representation, coded	N	an..3	

**DTM DATE/TIME/PERIOD**

Function: To specify date, and/or time, or period.

Usage: Mandatory, maximum 1 repeat.

Comments: This segment is used to carry the patient Date of Birth.



Tag	Name	Usage	Repr.	Description
C507	DATE/TIME/PERIOD	M		
2005	Date/time/period qualifier	M	an..3	<i>Code for type of date/time</i> “329” = Patient Date of Birth
2380	Date/time/period	R	an..35	<i>Date of the last HPV Vaccination.</i>
2379	Date/time/period format qualifier	R	an..3	<i>Code for format of date/time</i> “102” = CCYYMMDD

## Segment Group 2: RFF-DTM-RFF-RFF-DTM-PNA

Function: To hold deducted patient HPV Vaccination histories

Usage: Required maximum 999999 repeats.

Comments: This segment group is used to convey details about deducted patient HPV Vaccination histories.

### RFF REFERENCE

Function: To specify a reference for the transfer of data.

Usage: Mandatory, maximum one repeat.

Comments: This segment is used to specify the HPV Vaccine Record Type.

No	Data Element	Usage	Repr.	Value/Description/Dependency rules
C506	REFERENCE	M		
1153	Reference qualifier	M	an..3	<i>Code to identify the HPV Vaccine Status being transferred.</i> “965” = HPV Vaccine Record Type
1154	Reference number	M	an..35	<i>The record type code for the data being transferred.</i> 3 = HPV Vaccine historic data

### DTM DATE/TIME/PERIOD

Function: To specify date, and/or time, or period.

Usage: Mandatory, maximum 1 repeat.

Comments: This segment is used to carry the HPV Vaccination date.

Tag	Name	Usage	Repr.	Description
C507	DATE/TIME/PERIOD	M		
2005	Date/time/period qualifier	M	an..3	<i>Code for type of date/time</i> +“HVD” = HPV Vaccination Date
2380	Date/time/period	R	an..35	<i>Date of the last HPV Vaccination.</i>
2379	Date/time/period format qualifier	R	an..3	<i>Code for format of date/time</i> “102” = CCYYMMDD

## RFF REFERENCE

Function: To specify a reference for the transfer of data.

Usage: Mandatory, maximum one repeat.

Comments: This segment is used to specify the HPV Vaccine Status.

No	Data Element	Usage	Repr.	Value/Description/Dependency rules
C506	REFERENCE	M		
1153	Reference qualifier	M	an..3	<i>Code to identify the HPV Vaccine Status being transferred.</i> +“HVS” = HPV Vaccine Status
1154	Reference number	M	an..35	<i>The status code for the data being transferred.</i>

## RFF REFERENCE

Function: To specify a reference for the transfer of data.

Usage: Mandatory, maximum one repeat.

Comments: This segment is used to specify the HPV Vaccine Type.

No	Data Element	Usage	Repr.	Value/Description/Dependency rules
C506	REFERENCE	M		
1153	Reference qualifier	M	an..3	<i>Code to identify the HPV Vaccine Type being transferred.</i> +“HVT” = HPV Vaccine Type

No	Data Element	Usage	Repr.	Value/Description/Dependency rules
1154	Reference number	M	an..35	<i>The type code for the data being transferred.</i>

## DTM DATE/TIME/PERIOD

Function: To specify date, and/or time, or period.

Usage: Mandatory, maximum 1 repeat.

Comments: This segment is used to carry the HPV Vaccination record date and time date stamp.

Tag	Name	Usage	Repr.	Description
C507	DATE/TIME/PERIOD	M		
2005	Date/time/period qualifier	M	an..3	<i>Code for type of date/time</i> +“HDS” = HPV Vaccination record date stamp
2380	Date/time/period	R	an..35	<i>Date the HPV Vaccination record was created.</i>
2379	Date/time/period format qualifier	R	an..3	<i>Code for format of date/time</i> “204” = CCYYMMDDHHMMSS

## PNA PARTY NAME

Function: To specify information necessary to establish the identity of a party.

Usage: Mandatory, 1 repetition

Comments: This segment is required to carry the user ID of the HPV Vaccination record creator.

Tag	Name	Usage	Repr.	Description
3035	PARTY QUALIFIER	M	an..3	<i>Code giving specific meaning to a party.</i> +“USR” = User ID
C206	IDENTIFICATION NUMBER	N		
7402	Identity number	N	an..35	
7405	Identity number qualifier	N	an..3	
4405	Status, coded	N	an..3	
C082	PARTY IDENTIFICATION DETAILS	N		
3039	Party id. identification	N	an..35	

1131	Code list qualifier	N	an..3	
3055	Code list responsible agency, coded	N	an..3	
3403	NAME TYPE, CODED	N	an..3	
3397	NAME STATUS, CODED	N	an..3	
C816	NAME COMPONENT DETAILS	R		
3405	Name component qualifier	M	an..3	<i>Code to identify the user ID for the HPV Vaccine Status record creator.</i> “US” = Unstructured name
3398	Name component	R	an..70	<i>User ID</i>
3401	Name component status, coded	N	an..3	
3295	Name component original representation, coded	N	an..3	
C816	NAME COMPONENT DETAILS	N		
3405	Name component qualifier	N	an..3	
3398	Name component	N	an..70	
3401	Name component status, coded	N	an..3	
3295	Name component original representation, coded	N	an..3	
C816	NAME COMPONENT DETAILS	N		
3405	Name component qualifier	N	an..3	
3398	Name component	N	an..70	
3401	Name component status, coded	N	an..3	
3295	Name component original representation, coded	N	an..3	

## 6 EDIFACT reference directory

### 6.1 Formal definition of composites

#### Listing of composites by Tag

C002	DOCUMENT/MESSAGE NAME
C082	PARTY IDENTIFICATION DETAILS
C106	DOCUMENT/MESSAGE IDENTIFICATION
C206	IDENTIFICATION NUMBER
C506	REFERENCE DETAILS
C507	DATE/TIME/PERIOD
C816	NAME COMPONENT DETAILS
C851	SEGMENT GROUP USAGE DETAILS

#### Composite specifications

##### **C002 DOCUMENT/MESSAGE NAME**

Desc: Identification of a type of document/message by code or name.

1001	Document/message name,coded	N	an..3
1131	Code list qualifier	N	an..3
3055	Code list responsible agency, coded	N	an..3
1000	Document/message name	N	an..35

##### **C082 PARTY IDENTIFICATION DETAILS**

Desc: Identification of a transaction party by code.

3039	Party identification	M	an..35
1131	Code list qualifier	R	an..3
3055	Code list responsible agency, coded	N	an..3

##### **C106 DOCUMENT/MESSAGE IDENTIFICATION**

Desc: Identification of a document/message by its number and eventually its version or revision.

1004	Document/message number	N	an..35
1056	Version	N	an..9
1060	Revision number	N	an..6

<b>C206</b>	<b>IDENTIFICATION NUMBER</b>		
Desc:	The identification of an object.		
7402	Identity number	M	an..35
7405	Identity number qualifier	R	an..3
4405	Status, coded	N	an..3
<b>C506</b>	<b>REFERENCE DETAILS</b>		
Desc:	To specify what the reference relates to.		
1153	Reference Qualifier	M	an..3
1154	Reference number	R	an..35
<b>C507</b>	<b>DATE/TIME/PERIOD</b>		
Desc:	Date and/or time, or period relevant to the specified date/time/period type.		
2005	Date/time/period qualifier	M	an..3
2380	Date/time/period	R	an..35
2379	Date/time/period format qualifier	R	an..3
<b>C816</b>	<b>NAME COMPONENT DETAILS</b>		
Desc:	Identity of a transaction party by name		
3405	Name component qualifier	M	an..3
3398	Name component	R	an..70
3401	Name component status, coded	N	an..3
3295	Name component original repress	N	an..3
<b>C851</b>	<b>SEGMENT GROUP USAGE DETAILS</b>		
Desc:	Trigger segment		
9811	Segment group usage, coded	N	an..3
1131	Code list qualifier	N	an..3
3055	Code list responsible agency	N	an..3
9810	Segment group usage	R	an..70

## 7 Formal definition of data items

### Listing of data elements by Tag

1001	Document/message name, coded
1004	Document/message number
1131	Code list qualifier
1153	Reference qualifier
1154	Reference number
1225	Message function, coded
2005	Date/time/period qualifier
2379	Date/time/period format qualifier
2380	Date/time/period
3035	Party qualifier
3039	Party id identification
3398	Name component
3405	Name component qualifier
4405	Status, coded
7402	Identity number
7405	Identity number qualifier
9810	Segment group usage

---

Data element specifications

<b>1001</b>	<b>Document/message name, coded</b>
Desc:	Document/message identifier expressed in code.
Repr:	an..3
<b>1004</b>	<b>Document/message number</b>
Desc:	Reference number assigned to the document/message by the issuer.
Repr:	an..35
<b>1131</b>	<b>Code list qualifier</b>
Desc:	Identification of a code list
Repr:	an..3
<b>1153</b>	<b>Reference qualifier</b>
Desc:	Additional identifier for the quantity
Repr:	an..3
<b>1154</b>	<b>Reference number</b>
Desc:	Identifier for an item
Repr:	an..35
<b>1225</b>	<b>Message function, coded</b>
Desc:	Code indicating the function of the message.
Repr:	an..3
<b>2005</b>	<b>Date/time/period qualifier</b>
Desc:	Code giving specific meaning to a date, time or period.
Repr:	an..3
<b>2379</b>	<b>Date/time/period format qualifier</b>
Desc:	Specification of the representation of a date, a date and time or of a period.
Repr:	an..3



**2380**                    **Date/time/period**

Desc:                    The value of a date, a date and time, a time or period in a specified representation.

Repr:                    an..35

**3035**                    **Party qualifier**

Desc:                    Code giving specific meaning to a party.

Repr:                    an..3

**3039**                    **Party id. identification**

Desc:                    Code giving identification to a party

Repr:                    an..35

**3398**                    **Name component**

Desc:                    The value giving a name to a party

Repr:                    an..70

**3405**                    **Name component qualifier**

Desc:                    Additional identifier of a name of a party

Repr:                    an..3

**7402**                    **Identity number**

Desc:                    The identity number of a party

Repr:                    an..35

**7405**                    **Identify number qualifier**

Desc:                    Additional identifier of an identity number of a party

Repr:                    an..3

**9810**                    **Segment group usage**

Desc:                    The usage of a segment group

Repr:                    an..70

## 8 Data element code values

<b>1131</b>	<b>Code list qualifier</b>
865	Sending database cipher
765	Receiving database cipher
<b>1153</b>	<b>Reference qualifier</b>
965	Record type
+”HVS”	HPV Vaccine status
+”HVT”	HPV Vaccine type
<b>2005</b>	<b>Date/time/period qualifier</b>
137	Document message date/time
329	Patient Date of Birth
+”HVD”	HPV Vaccination date
+”HDS”	HPV Vaccination record date stamp
<b>2379</b>	<b>Date/time/period format qualifier</b>
102	CCYYMMDD
204	CCYYMMDDHHMMSS
<b>3035</b>	<b>Party qualifier</b>
”SFH”	Sending Health Authority
”RHA”	Receiving Health Authority
”PAT”	Patient
”USR”	User ID
<b>3405</b>	<b>Name component qualifier</b>
”SU”	Family name
”FO”	First given name
”MI”	Middle name
”US”	Unstructured name
<b>7405</b>	<b>Identity number, qualifier</b>
”OPI”	Official patient identifier



***IMPLEMENTATION GUIDELINES  
FOR THE EDIFACT MESSAGE  
NHSPRV:0:2:NH:NHS002***

***Version Number: 1.1  
Issue Date: 20<sup>th</sup> March 2003***

**Message Type : NHSPRV  
Version : 0  
Release : 2  
Controlling Agency : NH  
Assoc Assigned Code : NHS002**

© Crown Copyright 2016

NHS Digital  
Hexagon House  
P.O. Box 78  
Pynes Hill  
Rydon Lane  
Exeter  
EX2 5SE

Telephone:

Exeter (01392) 206700  
Fax (01392) 206946

*IMPLEMENTATION GUIDELINES*

*AMENDMENT HISTORY*

<u>Version:</u>	<u>Date Issued:</u>	<u>Brief Summary of Change:</u>	<u>Owner's Signature:</u>
1.1	23.1.96	Second Published version.	
1.2	14.02.96	Jobtype changed to 2	
1.3	19.03.98	New action codes of 'B' and 'S'.	

This is a copy of the the FHSPRV:0:2:NH:NHS002 with the following changes  
Message was changed as the full history/usage of the FHSPRV message .

1.1	20.03.03	New qualifier of RDM , added consent held flag, New qualifier FCH, New result codes of B, M, N new qualifiers of HPN and HPP Changes to comment lines to allow comments in fields 2 &3 without data in preceding fields.	
-----	----------	---	--

This is a Controlled Document. On receipt of a new version, destroy all previous versions.

## CONTENTS

- 1 Introduction
  
- 2 Scope
  - 2.1 Functional definition
  - 2.2 Field of application
  - 2.3 Principles
  
- 3 References
  
- 4 Terms and definitions
  
- 5 Message structure
  - 5.1 Data segment clarification
  - 5.2 Branching diagram
  - 5.3 Segment table
  
- 6 Segment details
  - 6.1 Format and notation
    - 6.1.1 Format
    - 6.1.2 Notation
  - 6.2 Segment implementation guidelines
  
- 7 EDIFACT reference directory
  - 7.1 Formal definition of composites
  - 7.2 Formal definition of data elements
  - 7.3 Data element code values

## 1 Introduction

This document defines the guidelines for the implementation of the EDIFACT message NHSPRV:0:2:NH:NHS002 for the Transfer of Cytology Deducted Details (including re-directed Laboratory Results.)

The message NHSPRV:0:2:NH:NHS002 is a subset of the EDIFACT message FHSPRV:0:2:FH.

## 2 Scope

### 2.1 Functional definition

This message is sent from FHSAs to FHSAs in order to transfer cervical cytology deducted details and re-directed laboratory results for deducted patients.

### 2.2 Field of application

This message may be applied nationally for all FHSAs with EDIFACT capability.

### 2.3 Principles

The overall structure of the message is one message for one batch of transferred cytology details and redirected cervical cytology test results.

## 3 References

See UNTDID, Part 4, Section 2.5, UN/ECE UNSM General Introduction, Section 1.

## 4 Terms and definitions

See UNTDID, Part 4, Section 2.5, UN/ECE UNSM General Introduction, Section 2.

## 5 Message Structure

### 5.1 Data segment clarification

This section should be read in conjunction with the branching diagram and Segment table which indicate mandatory, conditional and repeating requirements.

This subset does not include those groups and segments which are conditional in the EDIFACT message FHSPRV:0:2:FH and are not required in this implementation.

All segments, composites and data elements (except those marked as additions) are taken from the UN/EDIFACT D.93A directory.

#### **UNH Message header**

A service segment starting and uniquely identifying a message. The message type code for this message is NHSPRV:0:2:NH:NHS002.

#### **BGM Beginning of message**

A segment for identification of the message use.

#### **NAD Name and address**

A segment for specifying the sender and recipient of the message being transferred.

#### **DTM Date/time/period**

A segment identifying the date/time of the message generation

#### **RFF Reference**

This segment identifies the file sequence number provided by CJQ.

#### **\*QTY Quantity**

A segment used to identify the number of characters contained in the record.

#### **+HEA Health Information**

A segment holding a flag indicating whether the sending FHSA uses standard action codes for cytology.

#### **Segment Group 1: S01-NAD-SG2-SG3-SG4**

A group of segments giving information about patients registration details and clinical test details.

##### **+S01 Trigger segment SG1**

Trigger (initial) segment for segment group number 1 in a message.

##### **NAD Name and Address**

A segment identifying the patient's national GP code and the FHSA cipher the transfer was originally sent from.

#### **Segment Group 2: S02-PNA-DTM-NAD**

A group of segments identifying the patient in question (name, address etc.)

##### **+S02 Trigger segment SG2**

Trigger (initial) segment for segment group number 2 in a message.

##### **+PNA Person Name**

A segment identifying the patient by specifying various name details and identification numbers.



**DTM**            **Date/time/period**  
A segment containing the patient's date of birth.

**NAD**            **Name and Address**  
A segment identifying the patient's address details.

**Segment Group 3: S03-EPI-DTM-HEA-QTY-FTX**  
A group of segments conveying general cytology details about a patient.

**+S03**            **Trigger segment SG3**  
Trigger (initial) segment for segment group number 3 in a message.

**+EPI**            **Episode status**  
A segment containing the Recall state, status of the patient and the type of recall.

**DTM**            **Date/time/period**  
A segment containing the recall date.

**+HEA**            **Health Information**  
A segment containing the patient's positive/doubtful marker and the excluded from target payment flag.

**\*QTY**            **Quantity**  
A segment containing the number of cytology tests recorded for a patient and the number of FHSAs a test has been sent to.

**FTX**            **Free Text**  
A segment holding GP notes, GP reason and cytology data about the patient.

**Segment Group 4: S04-QTY-SG5**  
A group of segments specifying the cytology history of the patient specified in group 2.

**+S04**            **Trigger segment SG4**  
Trigger (initial) segment for segment group number 4 in a message.

**\*QTY,**            **Quantity**  
A segment contain the number of births and abortions/miscarriages at the time the test was taken.

**Segment Group 5: S05-EPI-NAD-TST-DTM-HEA-FTX**  
A group of segments specifying the cytology history of the patient specified in group 2.

**+S05**            **Trigger segment SG5**  
Trigger (initial) segment for segment group number 5 in a message.

**+EPI**            **Episode status**  
A segment containing the Recall status of the patient and the type of recall.

**NAD**            **Name and Address**

A segment identifying a patient's local GP, the sending FHSA, the national lab code and the screening FHSA.

**+TST**            **Test Results**

A segment containing cytology result codes, result code expansions, action code and slide numbers.

**DTM**            **Date/time/period**

A segment containing the cytology test date, the notification date at the time of the test, the invitation date at the time of the test and the prior notification date at the time of the test.

**+HEA**            **Health Information**

A segment containing the type of sender of the test, the condition of the woman regarding pregnancy, the infection marker, the number of months between the test date and the date of next recall, the time interval between test date and recall date, correspondence marker, suspend list parameter and GP parameter.

**FTX**            **Free Text**

A segment holding comments associated with tests.

**UNT**    **Message trailer**

A service segment ending a message, giving the total number of segments in the message and the control reference number of the message.



5.3 Segment Table

<b>UNH</b>	Message header	<b>M</b>	<b>1</b>
<b>BGM</b>	Beginning of message	<b>M</b>	<b>1</b>
<b>NAD</b>	Name and address	<b>M</b>	<b>5</b>
<b>DTM</b>	Date/time/period	<b>M</b>	<b>20</b>
<b>RFF</b>	Reference	<b>C</b>	<b>10</b>
<b>*QTY</b>	Quantity	<b>C</b>	<b>20</b>
<b>+HEA</b>	Health	<b>C</b>	<b>20</b>
Segment Group 1			<b>C 999999</b>
<b>+S01</b>	Trigger segment SG1	<b>M</b>	<b>1</b>
<b>NAD</b>	Name and address	<b>C</b>	<b>20</b>
Segment Group 2			<b>C 10</b>
<b>+S02</b>	Trigger segment SG2	<b>M</b>	<b>1</b>
<b>+PNA</b>	Person name	<b>C</b>	<b>1</b>
<b>DTM</b>	Date/time/period	<b>C</b>	<b>1</b>
<b>NAD</b>	Name and address	<b>C</b>	<b>2</b>
Segment Group 3			<b>C 9999</b>
<b>+S03</b>	Trigger segment SG3	<b>M</b>	<b>1</b>
<b>+EPI</b>	Episode status	<b>C</b>	<b>5</b>
<b>DTM</b>	Date/time/period	<b>C</b>	<b>10</b>
<b>+HEA</b>	Health	<b>C</b>	<b>10</b>
<b>*QTY</b>	Quantity	<b>C</b>	<b>5</b>
<b>FTX</b>	Free text	<b>C</b>	<b>5</b>
Segment Group 4			<b>C 9999</b>
<b>+S04</b>	Trigger segment SG4	<b>M</b>	<b>1</b>
<b>*QTY</b>	Quantity	<b>C</b>	<b>10</b>
Segment Group 5			<b>C 9999</b>
<b>+S05</b>	Trigger segment SG5	<b>M</b>	<b>1</b>
<b>+EPI</b>	Episode status	<b>C</b>	<b>2</b>
<b>NAD</b>	Name and address	<b>C</b>	<b>5</b>
<b>+TST</b>	Test results	<b>C</b>	<b>5</b>
<b>DTM</b>	Date/time/period	<b>C</b>	<b>15</b>
<b>+HEA</b>	Health information	<b>C</b>	<b>10</b>
<b>FTX</b>	Free text	<b>C</b>	<b>5</b>
<b>UNT</b>	Message trailer	<b>M</b>	<b>1</b>

## 6 Segment details

### 6.1 Format and notation

#### 6.1.1 Format

The format of each segment follows the structure defined below:

- a) Segment tag and segment name.
- b) Function of the segment, in the context of its position within the message.
- c) Usage of the segment, indicating whether the segment is mandatory or conditional, and the maximum number of repetitions allowed for the segment (if more than one) in the context of its position within the message.
- d) Comments on the usage of the segment, including any dependency rules for the segment.
- e) A table for the segment, containing the following columns:

**No** - The data element or composite number within the segment

**Data element** - The name of the data element or composite

**Usage** - Usage of the data element, using one of the usage indicators described below.

**Repr** - Representation of the data element, indicating whether the data element may be alphabetic only, numeric only, or alphanumeric and indicating the maximum length of the data or its fixed length.

**Value/Description/Dependency rules** - *Italic text* describes the data to be used for that data element, normal text is used to list possible code values for the data element, and underlined text indicates dependency rules for the data element.

Before the definition of each segment group there is a segment group initial page. This identifies the segments within the segment group and the function, usage and comments on usage in the same way as defined above for each segment.

### 6.1.2 Notation

The following usage indicators may be used for segments, segment groups, data elements and composites:

<b>M (Mandatory)</b>	Defined as mandatory in the message definition, must also be mandatory in this Message Implementation Guideline (MIG).
<b>R (Required)</b>	Defined as conditional in the message definition, use is required in this MIG.
<b>A (Advised)</b>	Defined as conditional in the message definition, use is advised or recommended in this MIG.
<b>D (Dependent)</b>	Defined as conditional in the message definition, use is dependent in this MIG under certain circumstances which will be described.
<b>O (Optional)</b>	Defined as conditional in the message definition, use is optional in this MIG.
<b>N (Not used)</b>	Defined as conditional in the message definition, should not be used in this MIG.

“+” in front of a segment tag, composite, data element or code value indicates that this is a new item, and not found within the EDIFACT D.93A directory.

“\*” in front of a segment tag, composite, data element or code value indicates that this is a modified item, compared with the item found within the EDIFACT D.93A directory.

Within the DTM Date/Time/Period segment, the values of the codes for Date/Time/Period format qualifier represent the following (the difference between Month and Minute being easily recognised in context):

CC	=	Century
YY	=	Year
MM	=	Month
DD	=	Day
HH	=	Hour
MM	=	Minute
SS	=	Second

## 6.2 Segment implementation guidelines

### UNH MESSAGE HEADER

Function: To head, identify and specify a message.

Usage: Mandatory.

Comments:

No	Data Element	Usage	Repr.	Value/Description/Dependency rules
0062	MESSAGE REFERENCE NUMBER	M	an..14	<i>Message Sequence Number</i> Sequential, 00000001 to 99999999
S009	MESSAGE IDENTIFIER	M		
0065	Message type	M	an..6	<i>Identification of the type of message being transmitted.</i> “NHSPRV” = Preventative healthcare
0052	Message version number	M	an..3	<i>Identification of the version number of the message.</i> “0” = Version number of the registration message
0054	Message release number	M	an..3	<i>Identification of the release number of the message type within the current version.</i> “2” = Release number within the current version number
0051	Controlling Agency	M	an..2	<i>Identification of the agency controlling the specification, maintenance and publication of the message type.</i> “NH” = NHSIA
0057	Association assigned code	R	an..6	<i>A code identifying the Message Implementation Guidelines for the message type.</i> “NHS002” = Transfer of Cytology Deducted Details (including Re-directed Laboratory Results)
0068	COMMON ACCESS REFERENCE	N	an..35	
S010	STATUS OF THE TRANSFER	N		
0070	Sequence of transfers	N	n..2	
0073	First and last transfer	N	a1	

**BGM BEGINNING OF MESSAGE**

Function: To indicate the beginning of a message and to transmit the data type.

Usage: Mandatory.

Comments: This segment is used to provide a data type for the message, which indicates its use.

No	Data Element	Usage	Repr.	Value/Description/Dependency rules
C002	DOCUMENT/MESSAGE NAME	N		
1001	Document/message name, coded	N	an..3	
1131	Code list qualifier	N	an..3	
3055	Code list responsible agency, coded	N	an..3	
1000	Document/message name	N	an..35	
1004	DOCUMENT/MESSAGE NUMBER	N	an..35	
1225	MESSAGE FUNCTION, CODED	R	an..3	<i>Identification data type of message.</i> +"2" = Transfer of Cytology Deducted Details (including Re-directed Laboratory Results)
4343	RESPONSE TYPE, CODED	N	an..3	



**NAD NAME AND ADDRESS**

Function: To provide the identification and name details of a healthcare party.

Usage: Mandatory, 2 repetitions required.

Comments: This segment is used to identify the sending FHSA by cipher, and the recipient FHSA by cipher.

No	Data Element	Usage	Repr.	Value/Description/Dependency rules
3035	PARTY QUALIFIER	M	an..3	Code for type of healthcare party +"SFH" = Sending FHSA +"FHS" = Receiving FHSA
C082	PARTY IDENTIFICATION DETAILS	R		Used to hold the code for the healthcare party.
3039	Party id identification	M	an..17	Cipher of the sending FHSA Cipher of the receiving FHSA.
1131	Code list qualifier	R	an..3	Code list specifying the healthcare registration identification. +"954" = FHSA
3055	Code list responsible agency, coded	N	an..3	
C058	NAME AND ADDRESS	N		
3124	Name and address line	N	an..35	
3124	Name and address line	N	an..35	
3124	Name and address line	N	an..35	
3124	Name and address line	N	an..35	
3124	Name and address line	N	an..35	
C080	PARTY NAME	N		
3036	Party name	N	an..35	
3036	Party name	N	an..35	
3036	Party name	N	an..35	
3036	Party name	N	an..35	
3036	Party name	N	an..35	
3045	Party name format, coded	N	an..3	
C059	STREET	N		
3042	Street and number/P.O. Box	N	an..35	
3042	Street and number/P.O. Box	N	an..35	

3042	Street and number/P.O. Box	N	an..35	
3164	CITY NAME	N	an..35	
3229	COUNTY SUB-ENTITY IDENTIFICATION	N	an..9	
3251	POSTCODE IDENTIFICATION	N	an..9	
3207	COUNTRY, CODED	N	an..3	

**DTM            DATE/TIME/PERIOD**

Function:        To specify the date/time the message was generated.

Usage:            Mandatory.

Comments:        This segment must be used to provide the date and time the message was translated.

No	Data Element	Usage	Repr.	Value/Description/Dependency rules
C507	DATE/TIME/PERIOD	M		
2005	Date/time/period qualifier	M	an..3	<i>Code for type of date/time</i> "137" = Document/message date/time
2380	Date/time/period	R	an..35	<i>Date and time the message was translated.</i>
2379	Date/time/period format qualifier	R	an..3	<i>Code for format of date/time.</i> "203" = CCYYMMDDHHMM

**RFF REFERENCE**

Function: To specify a reference for the transfer of data.

Usage: Optional.

Comments: This segment is used to specify the transfer reference number.

No	Data Element	Usage	Repr.	Value/Description/Dependency rules
C506	REFERENCE	M		
1153	Reference qualifier	M	an..3	<i>Code to identify the reference number being transferred.</i> "TN" = Transaction reference number
1154	Reference number	R	an..35	<i>The file sequence number for the data being transferred.</i>
1156	Line number	N	an..6	
4000	Reference version number	N	an..35	

**\*QTY QUANTITY**

Function: To specify pertinent quantities.

Usage: Required.

Comments: This segment is used to transfer the number of characters contained in the record.

No	Data Element	Usage	Repr.	Value/Description/Dependency rules
*C186	QUANTITY DETAILS	R		
6063	Quantity qualifier	M	an..3	+“956” = Size of record
6060	Quantity	M	an..15	<i>Numerical value of number of characters contained within record</i>
+C848	MEASUREMENT UNIT DETAILS	N		
*6411	Measurement unit identification	N	an..17	
1131	Code list qualifier	N	an..3	
3055	Code list responsible agency, coded	N	an..3	
+6410	Measurement unit	N	an..35	

**+HEA HEALTH INFORMATION**

Function: To specify items of health information

Usage: Required

Comments: Holds an indicator specifying whether the sending FHSA uses standard action codes for cytology.

No	Data Element	Usage	Repr.	Value/Description/Dependency rules
+9506	HEALTH INFORMATION QUALIFIER	M	an..3	<i>Qualifier identifying the type of health information being specified.</i> +"CAC" = Cytology action codes
+C973	HEALTH INFORMATION	R		<i>Code identifying whether the sending FHSA uses standard action codes for cytology.</i> "Y" = Standard action codes used "N" = Non-standard action codes used "B" = Boundary change using old standard action codes "S" = Boundary change using new standard action codes
+9507	Health information identification	R	an..10	
1131	Code list qualifier	N	an..3	
3055	Code list responsible agency, coded	N	an..3	
+9508	Health	N	an..35	

**Segment Group 1: S01-NAD-SG2-SG3-SG4**

**Function:** To provide information about patients and related subjects.

**Usage:** Required, maximum repetitions 999999

**Comments:** For this message, this segment group is used to convey details about a woman's registration information, cytology data and cervical cytology test results.

Each repetition of this segment group represents information for one patient.

**+S01 TRIGGER SEGMENT SG1**

Function: Trigger segment for segment group number 1 in a message.

Usage: Mandatory.

Comments:

No	Data Element	Usage	Repr.	Value/Description/Dependency rules
+C851	SEGMENT GROUP USAGE DETAILS	R		
+9811	Segment group usage, coded	R	an..3	<i>Code to indicate usage of the segment</i> +"1" = Segment group 1
1131	Code list qualifier		an..3	
3055	Code list responsible agency, coded	N	an..3	
+9810	Segment group usage	N	an..70	



**NAD NAME AND ADDRESS**

Function: To identify relevant parties.

Usage: Optional, maximum 2 repetitions.

Comments: This segment is used to identify the patient's GP national Code and the FHSA cipher the transfer was originally sent from.

No	Data Element	Usage	Repr.	Value/Description/Dependency rules
3035	PARTY QUALIFIER	M	an..3	Code for type of healthcare party +"GP" = Current GP +"FHS" = FHSA
C082	PARTY IDENTIFICATION DETAILS	R		Used to hold the code for the healthcare party.
3039	Party id identification	M	an..17	National code of the patient's GP. FHSA cipher from which the transfer was originally sent.
1131	Code list qualifier	R	an..3	Code list specifying the healthcare registration identification. +"900" = National GP +"954" = FHSA
3055	Code list responsible agency, coded	N	an..3	
C058	NAME AND ADDRESS	N		
3124	Name and address line	N	an..35	
3124	Name and address line	N	an..35	
3124	Name and address line	N	an..35	
3124	Name and address line	N	an..35	
3124	Name and address line	N	an..35	
C080	PARTY NAME	N		
3036	Party name	N	an..35	
3036	Party name	N	an..35	
3036	Party name	N	an..35	
3036	Party name	N	an..35	
3036	Party name	N	an..35	
3045	Party name format, coded	N	an..3	
C059	STREET	N		

3042	Street and number/P.O. Box	N	an..35	
3042	Street and number/P.O. Box	N	an..35	
3042	Street and number/P.O. Box	N	an..35	
3164	CITY NAME	N	an..35	
3229	COUNTY SUB-ENTITY IDENTIFICATION	N	an..9	
3251	POSTCODE IDENTIFICATION	N	an..9	
3207	COUNTRY, CODED	N	an..3	

## **Segment Group 2: S02-PNA-DTM-NAD**

**Function:** To provide personal information about a patient.

**Usage:** Required, maximum two repetitions. The second repetition is optional.

**Comments:** This segment group is used to convey personal details about women patients.

The first occurrence of this segment group for a patient will hold current information such as the patient's current forename and family name and title.

The second occurrence of this segment group for a patient will hold the patient's previous family name.

**+S02 TRIGGER SEGMENT SG2**

Function: Trigger segment for segment group number 2 in a message.

Usage: Mandatory.

Comments:

No	Data Element	Usage	Repr.	Value/Description/Dependency rules
+C851	SEGMENT GROUP USAGE DETAILS	R		
+9811	Segment group usage, coded	R	an..3	<i>Code to indicate usage of the segment</i> +"2" = Segment group 2
1131	Code list qualifier	N	an..3	
3055	Code list responsible agency, coded	N	an..3	
+9810	Segment group usage	N	an..70	

**+PNA PERSON NAME**

Function: To specify information necessary to establish the identity of the patient.

Usage: Required.

Comments: This segment is used to provide both identification numbers and name details for the patient.

No	Data Element	Usage	Repr.	Value/Description/Dependency rules
3035	PARTY QUALIFIER	M	an..3	<i>Code for type of person.</i> +"PAT" = Patient (used for usual name of patient and NHS number) +"PER" = Person (used for previous names)
C206	IDENTIFICATION NUMBER	D		<u>In the first repeat of this segment group, this composite must exist and hold the patient's NHS number.</u>
7402	Identity number	M	an..35	<i>Official patient identification (NHS number)</i>
7405	Identity number qualifier	R	an..3	+"OPI" = Official patient identification
+3797	NAME TYPE, CODED	N	an..3	
+3799	NAME STATUS, CODED	N	an..3	
+C816	NAME COMPONENT DETAILS	O		<i>Person name details (of patient)</i> <i>Previous person name</i>
+3835	Name component qualifier	M	an..3	<i>Code for type of name component.</i> +"SU" = Family name
+3836	Name component	R	an..70	<i>Family name</i> <i>Previous family name</i>
+3839	Name component status, coded	N	an..3	
+3841	Name component original representation, coded	N	an..3	
+C816	NAME COMPONENT DETAILS	O		<i>Extra name of the patient</i>
+3835	Name component qualifier	M	an..3	<i>Code for type of name component</i> +"EN" = Extra name
+3836	Name component	R	an..70	<i>Extra name of the patient</i>
+3839	Name component status, coded	N	an..3	
+3841	Name component original representation, coded	N	an..3	
+C816	NAME COMPONENT DETAILS	O		<i>Person name details (of patient)</i>
+3835	Name component qualifier	M	an..3	<i>Code for type of name component</i> +"FO" = First given name

+3836	Name component	R	an..70	<i>First given name</i>
+3839	Name component status, coded	N	an..3	
+3841	Name component original representation, coded	N	an..3	
+C816	NAME COMPONENT DETAILS	O		<i>Person name details (of patient)</i>
+3835	Name component qualifier	M	an..3	<i>Code for type of name component</i> +"MI" = Middle name
+3836	Name component	R	an..70	<i>Second forename</i>
+3839	Name component status, coded	N	an..3	
+3841	Name component original representation, coded	N	an..3	
+C816	NAME COMPONENT DETAILS	O		<i>Person name details (of patient)</i>
+3835	Name component qualifier	M	an..3	<i>Code for type of name component</i> +"TI" = Title
+3836	Name component	R	an..70	<i>Title</i>
+3839	Name component status, coded	N	an..3	
+3841	Name component original representation, coded	N	an..3	

**DTM DATE/TIME/PERIOD**

Function: To specify a date, time, period.

Usage: Required.

Comments: This segment is used to identify the patient's date of the birth.

No	Data Element	Usage	Repr.	Value/Description/Dependency rules
C507	DATE/TIME/PERIOD	M		
2005	Date/time/period qualifier	M	an..3	<i>Code for type of date/time</i> "329" = Birth date/time
2380	Date/time/period	R	an..35	<i>Date of birth</i>
2379	Date/time/period format qualifier	R	an..3	"950" = CYYMMDD

**NAD NAME AND ADDRESS**

Function: To provide address details of the patient.

Usage: Optional.

Comments: This segment is used to identify the address of the patient.

This segment may only be present on the first repetition of segment group 2.

No	Data Element	Usage	Repr.	Value/Description/Dependency rules
3035	PARTY QUALIFIER	M	an..3	Code for type of healthcare party +"PAT" = Health patient
C082	PARTY IDENTIFICATION DETAILS	N		
3039	Party id identification	N	an..17	
1131	Code list qualifier	N	an..3	
3055	Code list responsible agency, coded	N	an..3	
C058	NAME AND ADDRESS	O		The address of the patient
3124	Name and address line	M	an..35	Patient address line 1.
3124	Name and address line	O	an..35	Patient address line 2.
3124	Name and address line	O	an..35	Patient address line 3.
3124	Name and address line	O	an..35	Patient address line 4.
3124	Name and address line	N	an..35	
C080	PARTY NAME	N		
3036	Party name	N	an..35	
3036	Party name	N	an..35	
3036	Party name	N	an..35	
3036	Party name	N	an..35	
3036	Party name	N	an..35	
3045	Party name format, coded	N	an..3	
C059	STREET	N		
3042	Street and number/P.O. Box	N	an..35	
3042	Street and number/P.O. Box	N	an..35	
3042	Street and number/P.O. Box	N	an..35	



3164	CITY NAME	N	an..35	
3229	COUNTY SUB-ENTITY IDENTIFICATION	N	an..9	
3251	POSTCODE IDENTIFICATION	O	an..9	<i>The postcode of the patient.</i>
3207	COUNTRY, CODED	N	an..3	

**Segment Group 3: S03-EPI-DTM-HEA-QTY-FTX**

**Function:** To provide information about a patient's screening episode.

**Usage:** Optional, maximum one repetition.

**Comments:** This segment group is used to convey general cytology details about a patient.

**+S03 TRIGGER SEGMENT SG3**

Function: Trigger segment for segment group number 3 in a message.

Usage: Mandatory.

Comments:

No	Data Element	Usage	Repr.	Value/Description/Dependency rules
+C851	SEGMENT GROUP USAGE DETAILS	R		
+9811	Segment group usage, coded	R	an..3	<i>Code to indicate usage of the segment</i> +"3" = Segment group 3
1131	Code list qualifier	N	an..3	
3055	Code list responsible agency, coded	N	an..3	
+9810	Segment group usage	N	an..70	

**+EPI EPISODE STATUS**

Function: To identify the status of a patient episode.

Usage: Optional, maximum 3 repetitions.

Comments: This segment is used to hold the recall state, recall type and recall status of the patient.

No	Data Element	Usage	Repr.	Value/Description/Dependency rules
+9518	EPISODE STATUS QUALIFIER	M	an..3	<p><i>Qualifier specifying whether this segment contains details about the recall state, status or type.</i></p> <p>+”CRS” = Call/recall status                      +”RST” = Recall state                      +”RTP” = Recall type</p>
+C971	STATUS	R		
+9502	Status, coded	R	an..3	<p><i>Code specifying the recall status (1, ”G”, ”N”, ”P”, 2, ”F”, ”H”, ”S”, ”C”, ”L”, ”Z”), recall state (”A”, ”S”, ”C”, ”Z”) and recall type (”N”, ”R”, ”S”, ”I”, ”C”, ”L”).</i></p> <p>+”A” = Actual recall                      +”C” = Ceased recall                      +”F” = First non-Responder                      +”G” = GP informed                      +”H” = Final non-Responder                      +”I” = Inadequate recall                      +”L” = First recall (<i>for qualifier RST and RTP only.</i>)                      +”N” = Routine recall (<i>for qualifier RST and RTP only.</i>)                      +”P” = Patient informed                      +”R” = Repeat advised recall                      +”S” = Suspended recall                      +”Z” = No current recall (<i>for RST only.</i>)</p> <p>+”1” = No action                      +”2” = Second letter                      +”L” = Logged slide (<i>for qualifier CRS only.</i>)                      +”N” = GP not informed (<i>for qualifier CRS only</i>)                      +”Z” = Patient from outside FHSA (<i>for CRS only</i>)</p>
1131	Code list qualifier	R	an..3	<p><i>Code specifying the list containing the codes specified in element 9502.</i></p> <p>”ZZZ” = Mutually defined</p>
3055	Code list responsible agency, coded	N	an..3	
+9503	Status	N	an..35	

+C972	AUTHORISATION	N		
+9504	Authorisation, coded	N	an..3	
1131	Code list qualifier	N	an..3	
3055	Code list responsible agency, coded	N	an..3	
+9505	Authorisation	N	an..35	

**DTM            DATE/TIME/PERIOD**

Function:        To specify a date, time, period.

Usage:            Optional.

Comments:        This segment is used to identify the recall date.

No	Data Element	Usage	Repr.	Value/Description/Dependency rules
C507	DATE/TIME/PERIOD	M		
2005	Date/time/period qualifier	M	an..3	<i>Code for type of date/time</i> +“966” =            Date of recall
2380	Date/time/period	R	an..35	<i>Date patient is due to be called/recalled for their next test</i>
2379	Date/time/period format qualifier	R	an..3	<i>Code for format of date/time.</i> “2”        =            DDMMYY

**+HEA HEALTH INFORMATION**

Function: To provide specific health information.

Usage: Optional, maximum 3 repetitions.

Comments: Identifies whether the patient has ever had a suspended or repeat advised test result, and whether the patient is included in the target payment calculation.

No	Data Element	Usage	Repr.	Value/Description/Dependency rules
+9506	HEALTH INFORMATION QUALIFIER	M		<i>Qualifier identifying the type of health information being specified.</i> +”PDM”= Positive doubtful marker +”ETP” = Excluded from target payments +”RDM” = Redirect Marker
+C973	HEALTH INFORMATION	R		<i>Code identifying whether patient ever had a suspended or repeat advised test result, and whether the patient falls into a category excluded from the target payment calculation.</i> +”N” = No +”Y” = Yes  <i>Code specifying the list containing the codes specified in element 9507.</i> “ZZZ” = Mutually defined
+9507	Health information identification	R	an..10	
1131	Code list qualifier	R	an..3	
3055	Code list responsible agency, coded	N	an..3	
+9508	Health	N	an..35	

**\*QTY QUANTITY**

Function: To specify pertinent quantities.

Usage: Optional, maximum 2 repetitions.

Comments: This segment is used to transfer the number of cytology tests recorded for a patient and the number of FHSAs the test has been sent to.

No	Data Element	Usage	Repr.	Value/Description/Dependency rules
*C186	QUANTITY DETAILS	R		
6063	Quantity qualifier	M	an..3	+“957” = Number of tests +“958” = Number of FHSAs
6060	Quantity	M	an..15	<i>Numerical value of number of tests, or number of FHSAs.</i>
+C848	MEASUREMENT UNIT DETAILS	N		
*6411	Measurement unit identification	N	an..17	
1131	Code list qualifier	N	an..3	
3055	Code list responsible agency, coded	N	an..3	
+6410	Measurement unit	N	an..35	



**FTX**      **FREE TEXT**

Function: To specify free text

Usage: Optional, maximum three repetitions.

Comments: This segment is used to transfer a GP free text field for GPs using GP links for Prior Notification Lists, GP's reasons for any decision regarding a woman's recall and general cytology data about a patient.

No	Data Element	Usage	Repr.	Value/Description/Dependency rules
4451	TEXT SUBJECT QUALIFIER	M	an..3	+ "GFT" =GP free text + "RRT" =Recall related text + "CYN" =Cytology notes
4453	TEXT FUNCTION, CODED	N	an..3	
C107	TEXT REFERENCE	N		
4441	Free text, coded	N	an..3	
1131	Code list qualifier	N	an..3	
3055	Code list responsible agency, coded	N	an..3	
C108	TEXT LITERAL	R		<i>Text relating to the text subject qualifier</i>
4440	Free text	M	an..70	<i>First 70 characters of GP free text, GP reasons for decision regarding recall, cytology notes line 1.</i>
4440	Free text	O	an..70	<i>Remaining characters of GP free text, cytology notes line 2.</i>
4440	Free text	O	an..70	<i>Cytology notes line 3</i>
4440	Free text	N	an..70	
4440	Free text	N	an..70	
3453	LANGUAGE, CODED	N	an..3	

**Segment Group 4: S04-QTY-SG5**

**Function:** To provide information about a patient's screening episode.

**Usage:** Optional, maximum 99 repetitions.

**Comments:** This segment group is used to convey clinical test data.

**+S04 TRIGGER SEGMENT SG4**

Function: Trigger segment for segment group number 4 in a message.

Usage: Mandatory.

Comments:

No	Data Element	Usage	Repr.	Value/Description/Dependency rules
+C851	SEGMENT GROUP USAGE DETAILS	R		
+9811	Segment group usage, coded	R	an..3	<i>Code to indicate usage of the segment</i> +"4" = Segment group 4
1131	Code list qualifier	N	an..3	
3055	Code list responsible agency, coded	N	an..3	
+9810	Segment group usage	N	an..70	

**\*QTY QUANTITY**

Function: To specify pertinent quantities.

Usage: Optional, maximum 2 repetitions.

Comments: This segment is used to transfer the number of births and the number of abortions/miscarriages at the time the test was taken.

No	Data Element	Usage	Repr.	Value/Description/Dependency rules
*C186	QUANTITY DETAILS	R		
6063	Quantity qualifier	M	an..3	+“959” = Number of Births +“960” = Number of miscarriages
6060	Quantity	M	an..15	<i>Numerical value of number of births or miscarriages/abortions.</i>
+C848	MEASUREMENT UNIT DETAILS	N		
*6411	Measurement unit identification	N	an..17	
1131	Code list qualifier	N	an..3	
3055	Code list responsible agency, coded	N	an..3	
+6410	Measurement unit	N	an..35	

**Segment Group 5: EPI-NAD-TST-DTM-HEA-FTX**

**Function:** To provide information about a patient's screening episode.

**Usage:** Optional, maximum 99 repetitions.

**Comments:** This segment group is used to convey clinical test data.

**+S05 TRIGGER SEGMENT SG5**

Function: Trigger segment for segment group number 5 in a message.

Usage: Mandatory.

Comments:

No	Data Element	Usage	Repr.	Value/Description/Dependency rules
+C851	SEGMENT GROUP USAGE DETAILS	R		
+9811	Segment group usage, coded	R	an..3	<i>Code to indicate usage of the segment</i> +"5" = Segment group 5
1131	Code list qualifier	N	an..3	
3055	Code list responsible agency, coded	N	an..3	
+9810	Segment group usage	N	an..70	

**+EPI EPISODE STATUS**

Function: To identify the status of a patient episode.

Usage: Optional, maximum 2 repetitions.

Comments: This segment is used to hold the recall type and recall status of the patient.

No	Data Element	Usage	Repr.	Value/Description/Dependency rules
+9518	EPISODE STATUS QUALIFIER	M	an..3	<i>Qualifier specifying whether this segment contains details about the recall state, status or type.</i> +"CRS" = Call/recall status +"RTP" = Recall type
+C971	STATUS	R		
+9502	Status, coded	R	an..3	<i>Code specifying the recall status (1,"G", "N", "P", 2,"F", "H", "S", "C", "L", "Z", "-"), and recall type ("N", "R", "S", "I", "C", "L", "-").</i> +"C" = Ceased recall +"F" = First non-Responder +"G" = GP informed +"H" = Final non-Responder +"I" = Inadequate recall +"L" = First recall ( <i>qualifier RTP</i> ) +"N" = Routine recall ( <i>qualifier RTP</i> ) +"P" = Patient informed +"R" = Repeat advised recall +"S" = Suspended recall +"-" = No previous recall status/type +"1" = No action +"2" = Second letter( <i>qualifier RTP</i> ) +"L" = Logged slide( <i>qualifier CRS</i> ) +"N" = GP not informed ( <i>qualifier CRS</i> ) +"Z" = Patient from outside FHSA
1131	Code list qualifier	R	an..3	<i>Code specifying the list containing the codes specified in element 9502.</i> "ZZZ" = Mutually defined
3055	Code list responsible agency, coded	N	an..3	
+9503	Status	N	an..35	
+C972	AUTHORISATION	C		
+9504	Authorisation, coded	M	an..3	"Y" = Yes "N" = No
1131	Code list qualifier	M	an..3	"CH" = Consent Held
3055	Code list responsible agency, coded	N	an..3	

<b>No</b>	<b>Data Element</b>	<b>Usage</b>	<b>Repr.</b>	<b>Value/Description/Dependency rules</b>
+9505	Authorisation	N	an..35	



**NAD NAME AND ADDRESS**

Function: To identify relevant parties.

Usage: Optional, maximum 5 repetitions.

Comments: This segment is used to identify the patient's local GP code at the sending FHSA, the sender code of the test at the sending FHSA, the national laboratory code where the test was analysed and the screening FHSA cipher.

No	Data Element	Usage	Repr.	Value/Description/Dependency rules
3035	PARTY QUALIFIER	M	an..3	Code for type of healthcare party +"GP" = Current GP +"FHS" = FHSA +"PLB" = Patient's laboratory details +"SCF" = Screening FHSA +"FCH" = FHSA where consent held
C082	PARTY IDENTIFICATION DETAILS	R		Used to hold the code for the healthcare party.
3039	Party id identification	M	an..17	Local code of the patient's GP Sender code of the test at the sending FHSA National Laboratory code FHSA where test was first recorded
1131	Code list qualifier	R	an..3	Code list specifying the healthcare registration identification. +"954" = FHSA +"959" = Pathology Laboratory National Code "ZZZ" = Mutually Defined
3055	Code list responsible agency, coded	N	an..3	
C058	NAME AND ADDRESS	N		
3124	Name and address line	N	an..35	
3124	Name and address line	N	an..35	
3124	Name and address line	N	an..35	
3124	Name and address line	N	an..35	
3124	Name and address line	N	an..35	
C080	PARTY NAME	N		
3036	Party name	N	an..35	
3036	Party name	N	an..35	

3036	Party name	N	an..35	
3036	Party name	N	an..35	
3036	Party name	N	an..35	
3045	Party name format, coded	N	an..3	
C059	STREET	N		
3042	Street and number/P.O. Box	N	an..35	
3042	Street and number/P.O. Box	N	an..35	
3042	Street and number/P.O. Box	N	an..35	
3164	CITY NAME	N	an..35	
3229	COUNTY SUB-ENTITY IDENTIFICATION	N	an..9	
3251	POSTCODE IDENTIFICATION	N	an..9	
3207	COUNTRY, CODED	N	an..3	

**+TST TEST RESULTS**

Function: To specify test results.

Usage: Optional, maximum 3 repetitions.

Comments: This segment is used to hold the patient's test result code, the description of the result code, the test action code and the slide number of the test result.

No	Data Element	Usage	Repr.	Value/Description/Dependency rules
+9520	TEST RESULTS QUALIFIER	M	an..3	+ "RCD" = Results codes
+C975	TEST RESULT	O		
+9511	Test result, coded	M	an..3	<i>Cytology result codes</i> + "1" = Inadequate + "2" = Negative + "3" = Mild Dyskaryosis + "4" = Severe Dyskaryosis + "5" = Severe Dyskaryosis/invasive varcinoma + "6" = ? Glandular Neoplasia + "7" = Moderate Dyskaryosis + "8" = Borderline Changes + "r" = Repeat advised + "s" = Suspend + "B" = Borderline + "M" = Mild Dyskaryosis + "N" = Negative <i>NB: Translation of "r" and "s" to upper case is required.</i>
1131	Code list qualifier	O	an..3	<i>Code specifying the list containing the codes specified in element 9511.</i> "ZZZ" = Mutually defined
3055	Code list responsible agency, coded	N	an..3	
+C976	SAMPLE IDENTIFIER	O		
+9513	Sample type qualifier	M	an..3	<i>Code for type of qualifier</i> + "SNO" = Slide number
+9514	Sample identification	M	an..17	<i>Numeric value identifying a slide</i>

+C977	TEST INFORMATION	O		
+9515	Test coded	M	an..3	<i>Test action codes</i>  <i>Negative Action Codes</i> +("A","B","C","D","E","F","G","H") <i>Inadequate Action Codes</i> +("I","J","K") <i>Suspended Action Codes</i> +("P","Q","S") <i>Repeat Advised Action Codes</i> +("R","W","X","Y") <i>Ceased Action Codes</i> +"Z"
1131	Code list qualifier	O	an..3	<i>Code specifying the list containing the codes specified in element 9515.</i>  "ZZZ" = Mutually defined
3055	Code list responsible agency, coded	N	an..3	
+9516	Test	N	an..35	
+9512	TEST RESULT, TEXT	O	an..35	<i>Description of the result code</i>

**DTM DATE/TIME/PERIOD**

Function: To specify a date, time, period.

Usage: Optional, maximum 4 repetitions.

Comments: This segment is used to identify the cytology test date, the notification date at the time of the test, the invitation date at the time of the test and the prior notification date.

No	Data Element	Usage	Repr.	Value/Description/Dependency rules
C507	DATE/TIME/PERIOD	M		
2005	Date/time/period qualifier	M	an..3	<i>Code for type of date/time</i> "119" = Test performed date +"968" = Notification date +"969" = Invitation date +"970" = Prior notification date
2380	Date/time/period	R	an..35	<i>Date of cytology test, notification date and invitation date and prior notification date.</i>
2379	Date/time/period format qualifier	R	an..3	<i>Code for format of date/time.</i> <i>Test performed date format</i> "2" = DDMMYY <i>Notification date format</i> "102" = CCYYMMDD <i>Invitation date format</i> <i>Prior notification date format</i> "610" = CCYYMM

**+HEA HEALTH INFORMATION**

Function: To provide specific health information.

Usage: Optional, maximum 9 repetitions.

Comments: Identifies the type of sender of the test, the condition of the woman with regards to pregnancy, the infection marker associated with the test, the number of months between the test date and the date of the next recall, the time interval between the test date and the recall due date in days, the correspondence marker which is set with each test, the suspend list parameter and the GP parameter.

No	Data Element	Usage	Repr.	Value/Description/Dependency rules
+9506	HEALTH INFORMATION QUALIFIER	M		<p><i>Qualifier identifying the type of health information being specified.</i></p> <p>+”SRC” = Source code            +”CON” = Condition            +”INM” = Infection marker            +”RPM” = Repeat months            +”TIN” = Time interval            +”CMK” = Correspondence marker            +”SLP” = Suspend list parameter            +”GPP” = GP parameter            +”HPV” = Human Papilloma Virus</p>
+C973 +9507	HEALTH INFORMATION Health information identification	R R	an..10	<p><i>Code identifying the type of sender of the test, the condition of the woman, the infection marker, repeat months, time interval, correspondence marker, suspend list parameter and GP parameter.</i></p> <p>+”H” = Valid sender            +”G” = Valid GP            +”X” = Invalid sender            +”N” = Invalidated NHS GP  <i>Only for qualifier SRC</i>            +”1” = Trichomonas            +”2” = Candida            +”3” = Wart virus            +”4” = Herpes            +”5” = Actinomyces            +”6” = Other            +”0” = Negative</p>

				<p>+”9” = Positive</p> <p>A “+” in front denotes the test was taken before the recall date.</p> <p>A “-” in front denotes the test was taken after the recall date.</p> <p>+”-” = No repeat months</p> <p>+”-----” = No time interval</p> <p>+”Y” = Yes.</p> <p>+”N” = No. <i>Not for qualifier SRC</i></p> <p><i>Numeric value indicating time interval</i></p> <p><i>Numeric value indicating repeat months</i></p>
1131	Code list qualifier	R	an..3	<p><i>Code specifying the list containing the codes specified in element 9507.</i></p> <p>“ZZZ” = Mutually defined</p>
3055	Code list responsible agency, coded	N	an..3	
+9508	Health	N	an..35	

**FTX            FREE TEXT**

Function:      To specify free text

Usage:         Optional.

Comments:     This segment is used to transfer comments associated with the test.

No	Data Element	Usage	Repr.	Value/Description/Dependency rules
4451	TEXT SUBJECT QUALIFIER	M	an..3	+”TCT” = Comments relating to the test.
	TEXT FUNCTION, CODED	N	an..3	
C107	TEXT REFERENCE	N		
4441	Free text, coded	M	an..3	
1131	Code list qualifier	N	an..3	
3055	Code list responsible agency, coded	N	an..3	
C108	TEXT LITERAL	R		
4440	Free text	M	an..70	<i>Comment line 1</i>
4440	Free text	O	an..70	<i>Comment line 2</i>
4440	Free text	O	an..70	<i>Comment line 3</i>
4440	Free text	N	an..70	
4440	Free text	N	an..70	
3453	LANGUAGE, CODED	N	an..3	



**UNT MESSAGE TRAILER**

Function: To end and check the completeness of a message.

Usage: Mandatory

Comments:

No	Data Element	Usage	Repr.	Value/Description/Dependency rules
0074	NUMBER OF SEGMENTS IN A MESSAGE	M	n..6	Count of the number of segments in the message, including the UNH and UNT segments.
0062	MESSAGE REFERENCE NUMBER	M	an..14	Sender's unique message reference, identical to 0062 in the UNH segment.

## 7 Composite data element index (Numeric sequence)

### 7.1 Formal definition of composites

#### Listing of composites by Tag

C002	DOCUMENT/MESSAGE NAME
C058	NAME AND ADDRESS
C059	STREET
C080	PARTY NAME
C082	PARTY IDENTIFICATION DETAILS
C107	TEXT REFERENCE
C108	TEXT LITERAL
*C186	QUANTITY DETAILS
C206	IDENTIFICATION NUMBER
C506	REFERENCE
C507	DATE/TIME/PERIOD
+C816	NAME COMPONENT DETAILS
+C848	MEASUREMENT UNIT DETAILS
+C851	SEGMENT GROUP USAGE DETAILS
+C971	STATUS
+C972	AUTHORISATION
+C973	HEALTH INFORMATION
+C975	TEST RESULT
+C976	SAMPLE IDENTIFIER
+C977	TEST INFORMATION

Composite specifications**C002 DOCUMENT/MESSAGE NAME**

Desc: Identification of a type of document/message by code or name.

1001	Document/message name, coded	C	an..3
1131	Code list qualifier	C	an..3
3055	Code list responsible agency, coded	C	an..3
1000	Document/message name	C	an..35

**C058 NAME AND ADDRESS**

Desc: Unstructured name and address: one to five lines.

3124	Name and address line	M	an..35
3124	Name and address line	C	an..35
3124	Name and address line	C	an..35
3124	Name and address line	C	an..35
3124	Name and address line	C	an..35

**C059 STREET**

Desc: Street address and/or PO Box number in a structured address: one to three lines.

3042	Street and number/PO Box	M	an..35
3042	Street and number/PO Box	C	an..35
3042	Street and number/PO Box	C	an..35

**C080 PARTY NAME**

Desc: Identification of a transaction party by name, one to five lines. Party name may be formatted.

3036	Party name	M	an..35
3036	Party name	C	an..35
3036	Party name	C	an..35
3036	Party name	C	an..35
3036	Party name	C	an..35
3036	Party name format, coded	C	an..3

**C082 PARTY IDENTIFICATION DETAILS**

Desc: Identification of a transaction party by code.

3039	Party Id identification	M	an..17
1131	Code list qualifier	C	an..3
3055	Code list responsible agency, coded	C	an..3

**C107****TEXT REFERENCE**

Desc: Coded reference to a standard text and its source.

4441	Free text, coded	M	an..3
1131	Code list qualifier	C	an..3
3055	Code list responsible agency, coded	C	an..3

**C108****TEXT LITERAL**

Desc: Free text: one to five lines

4440	Free text	M	an..70
4440	Free text	C	an..70
4440	Free text	C	an..70
4440	Free text	C	an..70
4440	Free text	C	an..70

**\*C186****QUANTITY DETAILS**

Desc: Quantity information in a transaction, qualified when relevant.

6063	Quantity qualifier	M	an..3
6060	Quantity	M	n..15

**C206****IDENTIFICATION NUMBER**

Desc: The identification of an object

7402	Identity number	C	an..35
7405	Identity number qualifier	C	an..3

**C506****REFERENCE**

Desc: Identification of a reference.

1153	Reference qualifier	M	an..3
1154	Reference number	C	an..35
1156	Line number	C	an..6
4000	Reference version number	C	an..35

**C507****DATE/TIME/PERIOD**

Desc: Date and/or time, or period relevant to the specified date/time/period type.

2005	Date/time/period qualifier	M	an..3
2380	Date/time/period	C	an..35
2379	Date/time/period format qualifier	C	an..3

**+C816 NAME COMPONENT DETAILS**

Desc: To specify a name component.

+3835	Name component qualifier	M	an..3
+3836	Name component	C	an..70
+3839	Name component status, coded	C	an..3
+3841	Name component original representation, coded	C	an..3

**+C848 MEASUREMENT UNIT DETAILS**

Desc: To specify a measurement unit.

*6411	Measurement unit identification	C	an..17
1131	Code list qualifier	C	an..3
3055	Code list responsible agency, coded	C	an..3
+6410	Measurement unit	C	an..35

**+C851 SEGMENT GROUP USAGE DETAILS**

Desc: To describe the actual usage of a segment group in a message.

+9811	Segment group usage, coded	C	an..3
1131	Code list qualifier	C	an..3
3055	Codelist responsible agency, coded	C	an..3
+9810	Segment group usage	C	an..70

**+C971 STATUS**

Desc: To identify the status of a particular entity

+9502	Status code	C	an..3
1131	Code list qualifier	C	an..3
3055	Code list responsible agency coded	C	an..3
9503	Status	C	an..35

**+C972 AUTHORISATION**

Desc: Identify who/what authorised an action

+9504	Authorisation coded	C	an..3
1131	Code list qualifier	C	an..3
3055	Code list responsible agency coded	C	an..3
+9505	Authorisation	C	an..35

**+C973 HEALTH INFORMATION**

Desc: Specific health information, as identified by a qualifier.

+9507	Health information identification	C	an..10
1131	Code list qualifier	C	an..3
3055	Code list responsible agency, coded	C	an..3
+9508	Health	C	an..35

**+C975 TEST RESULT**

Desc: Identifies the result of a test.

+9511	Test result, coded	M	an..3
1131	Code list qualifier	C	an..3
3055	Code list responsible agency, coded	C	an..3

**+C976 SAMPLE IDENTIFIER**

Desc: A sample type and identification.

+9513	Sample type qualifier	M	an..3
+9514	Sample identification	M	an..17

**+C977 TEST INFORMATION**

Desc: To describe a test.

+9515	Test, coded	C	an..3
1131	Code list qualifier	C	an..3
3055	Code list responsible agency, coded	C	an..3
+9516	Test	C	an..35

## 7.2 Formal definition of data elements

1000	Document/message name
1001	Document/message name, coded
1004	Document/message number
1131	Code list qualifier
1153	Reference qualifier
1154	Reference number
1156	Line number
1225	Message function, coded
2005	Date/time/period qualifier
2379	Date/time/period format qualifier
2380	Date/time/period
3035	Party qualifier
3036	Party name
3039	Party id identification
3042	Street and number/PO box
3045	Party name format, coded
3055	Code list responsible agency, coded
3124	Name and address line
3164	City name
3207	Country, coded
3229	Country sub-entity identification
3251	Postcode identification
3453	Language, coded
+3797	Name type, coded
+3799	Name status, coded
+3835	Name component qualifier
+3836	Name component
+3839	Name component status, coded
+3841	Name component original representation, coded
4000	Reference version number
4343	Response type, coded
4440	Free text
4441	Free text, coded
4451	Text subject qualifier
4453	Text function, coded
6060	Quantity
6063	Quantity qualifier
+6410	Measurement unit
*6411	Measurement unit identification
7402	Identity number
7405	Identity number qualifier
+9502	Status, coded
+9503	Status
+9504	Authorisation, coded
+9505	Authorisation
+9506	Health information qualifier
+9507	Health information identification
+9508	Health
+9511	Test result, coded
+9512	Test result, text
+9513	Sample type qualifier

+9514	Sample identification
+9515	Test, coded
+9516	Test
+9518	Episode status qualifier
+9520	Test results qualifier
+9810	Segment group usage
+9811	Segment group usage, coded



Data element specifications

<b>1000</b>	<b>Document/message name</b>
Desc:	Plain language identifier specifying the function of a document/message.
Repr:	an..35
<b>1001</b>	<b>Document/message name, coded</b>
Desc:	Document identifier expressed in code.
Repr:	an..3
<b>1004</b>	<b>Document/message number</b>
Desc:	Reference number assigned to the document by the issuer.
Repr:	an..35
<b>1131</b>	<b>Code list qualifier</b>
Desc:	Identification of a code list.
Repr:	an..3
<b>1153</b>	<b>Reference qualifier</b>
Desc:	Code giving specific meaning to a reference segment or a reference number.
Repr:	an..3
<b>1154</b>	<b>Reference number</b>
Desc:	Identification number the nature and function of which can be qualified by an entry in data element 1153 Reference qualifier.
Repr:	an..35
<b>1156</b>	<b>Line number</b>
Desc:	Number of the line in the document /message referenced in 1154 Reference number.
Repr:	an..6
<b>1225</b>	<b>Message function, coded</b>
Desc:	Code indicating the function of the message.
Repr:	an..3
<b>2005</b>	<b>Date/time/period qualifier</b>
Desc:	Code giving specific meaning to a date, time or period.
Repr:	an..3
<b>2379</b>	<b>Date/time/period format qualifier</b>
Desc:	Specification of the representation of a date, time or of a period.
Repr:	an..3
<b>2380</b>	<b>Date/time/period</b>
Desc:	The value of a date, a date and time, a time or a period in a specified representation.
Repr:	an..35
<b>3035</b>	<b>Party qualifier</b>
Desc:	Code giving specific meaning to a party.
Repr:	an..3
<b>3036</b>	<b>Party name</b>
Desc:	Name of a party involved in a transaction.

Repr: an..35

**3039 Party id identification**

Desc: Code identifying a party involved in a transaction.

Repr: an..17

**3042 Street and number/PO box**

Desc: Street and number in plain language, or Post Office Box number.

Repr: an..35

**3045 Party name format, coded**

Desc: Specification of the representation of a party name

Repr: an..3

**3055 Code list responsible agency, coded**

Desc: Code identifying the agency responsible for a code list.

Repr: an..3

**3124 Name and address line**

Desc: Free form name and address description.

Repr: an..35

**3164 City name**

Desc: Name of a city (a town, a village) for addressing purposes.

Repr: an..35

**3207 Country, coded**

Desc: Name of a country or other geographical entity as specified in ISO 3166.

Repr: an..3

**3229 Country sub-entity identification**

Desc: Name of sub-entities (state,province) defined by appropriate governmental agencies, coded.

Repr: an..9

**3251 Postcode identification**

Desc: Code defining postal zones or addresses.

Repr: an..9

**3453 Language, coded**

Desc: Code of language (ISO 639-1988)

Repr: an..3

**+3797 Name type, coded**

Desc: Code for type of name such as official name, alias

Repr: an..3

- +3799 Name status, coded**  
Desc: To specify the status of a name (such as current name)  
Repr: an..3
- +3835 Name component qualifier**  
Desc: To indicate a part of the name such as family name or given name.  
Repr: an..3
- +3836 Name component**  
Desc: Part of party name such as family name or given name.  
Repr: an..70
- +3839 Name component status, coded**  
Desc: To specify the status of a name component.  
Repr: an..3
- +3841 Name component original representation, coded**  
Desc: To specify the alphabet originally used to represent the name.  
Repr: an..3
- 4000 Reference version number**  
Desc: To uniquely identify a reference by its revision number.  
Repr: an..35
- 4343 Response type, coded**  
Desc: Code specifying the type of response code required.  
Repr: an..3
- 4440 Free text**  
Desc: Free text field available to the message sender for information.  
Repr: an..70
- 4441 Free text, coded**  
Desc: Free text in coded form.  
Repr: an..3
- 4451 Text subject qualifier**  
Desc: Code specifying subject of a free text.  
Repr: an..3
- 4453 Text function, coded**  
Desc: Code specifying how to handle the text.  
Repr: an..3
- 6060 Quantity**  
Desc: Numeric value of a quantity.  
Repr: n..15

<b>6063</b>	<b>Quantity qualifier</b>
Desc:	Code giving specific meaning to a quantity
Repr:	an..3
<b>+6410</b>	<b>Measurement unit</b>
Desc:	Specification of unit as free text
Repr:	an..35
<b>*6411</b>	<b>Measure unit specifier</b>
Desc:	Specification of unit of measurement using code
Repr:	an..3
<b>7402</b>	<b>Identity number</b>
Desc:	A value given to an object for identification purposes.
Repr:	an..35
<b>7405</b>	<b>Identity number qualifier</b>
Desc:	Code specifying the type/source of identity number.
Repr:	an..3
<b>+9502</b>	<b>Status, coded</b>
Desc:	To identify the action on/status of a particular entity.
Repr:	an..3
<b>+9503</b>	<b>Status</b>
Desc:	Description of the status of a particular episode.
Repr:	an..35
<b>+9504</b>	<b>Authorisation, coded</b>
Desc:	Identify who/what authorised an action.
Repr:	an..3
<b>+9505</b>	<b>Authorisation</b>
Desc:	Specification of an authorisation as free text
Repr:	an..3
<b>+9506</b>	<b>Health information qualifier</b>
Desc:	Given specific meaning to an item of health information.
Repr:	an..3
<b>+9507</b>	<b>Health information identification</b>
Desc:	Item of information relating to health.
Repr:	an..10
<b>+9508</b>	<b>Health</b>
Desc:	Description of item relating to health.
Repr:	an..35

- +9511**      **Test result, coded**  
Desc:        To identify the result of a test.  
Repr:        an..3
- +9512**      **Test result, text**  
Desc:        To describe the results of a test.  
Repr:        an..35
- +9513**      **Sample type qualifier**  
Desc:        Specifies the type of sample.  
Repr:        an..3
- +9514**      **Sample identification**  
Desc:        To identify a sample.  
Repr:        n..17
- +9515**      **Test, coded**  
Desc:        To identify a test  
Repr:        an..3
- +9516**      **Test**  
Desc:        Description of a test  
Repr:        an..35
- +9518**      **Episode status qualifier**  
Desc:        Gives specific meaning to the status of an episode  
Repr:        an..3
- +9520**      **Test results qualifier**  
Desc:        Gives specific meaning to a test result.  
Repr:        an..3
- +9810**      **Segment group usage**  
Desc:        To describe the actual usage of a segment group in a message.  
Repr:        an..70
- +9811**      **Segment group usage, coded**  
Desc:        To specify the usage of a segment group in a message.  
Repr:        an..3

**7.3 Data element code values****1131 Code list qualifier**

+900 National GP  
 +954 FHSA  
 +959 Pathology laboratory details  
 ZZZ Mutually defined

**1153 Reference qualifier**

TN Transaction reference number

**1225 Message function, coded**

+7 FHSA/FHSA deducted details transfer

**2005 Date/time/period qualifier**

137 Document/message date/time  
 329 Birth date/time  
 +966 Date of recall  
 +968 Notification date  
 +969 Invitation date  
 +970 Prior notification date

**2379 Date/time/period format qualifier**

2 DDMMYY  
 102 CCYYMMDD  
 203 CCYYMMDDHHMM  
 610 CCYYMM  
 +950 CYYMMDD

**3035 Party qualifier**

+FHS FHS cipher (receiving FHSA)  
 +GP Current GP  
 +PAT Patient  
 +PER Person  
 +PLB Patient's laboratory details  
 +SCF Screening FHSA  
 +SFH Sending FHSA  
 +FCH FHSA where consent held

**3835 Name component qualifier**

+FO	First given name
+SU	Family name
+TI	Title
+EN	Extra name
+MI	Middle name

**4451 Text subject qualifier**

+CYN	Cytology notes
+GFT	GP free text
+RRT	Recall related text
+TCT	Comments relating to the test

**6063 Quantity qualifier**

+956	Size of record
+957	Number of tests
+958	Number of FHSA's
+959	Number of births
+960	Number of miscarriages

**7405 Identity number, coded**

+OPI	Official patient identification
------	---------------------------------

**+9502 Status, coded**

+A	Actual recall
+C	Ceased recall
+F	First non-responder
+G	GP informed
+H	Final non-responder
+I	Inadequate recall
+L	First recall   Logged slide
+N	Routine recall   GP not informed
+P	Patient informed
+R	Repeat advised recall
+S	suspended recall
+Z	No current recall   Patient from outside FHSA
+1	No action
+2	Second letter
+”-”	No previous recall status/type

**+9506 Health information qualifier**

+CAC	Cytology action codes
+CMK	Correspondence marker
+CON	Condition
+ETP	Excluded from target payments
+GPP	GP parameter
+INM	Infection marker
+PDM	Positive doubtful marker
+RPM	Repeat months
+SLP	Suspend list parameter
+SRC	Source code
+TIN	Time interval
+RDM	Redirect Marker
+HPV	Human Papilloma Virus Marker

**+9507 Health information identification**

+G	Valid GP
+H	Valid sender
+N	No   Invalidated NHS GP
+X	Invalid sender
+Y	Yes
+0	Negative
+1	Trichomonas
+2	Candida
+3	Wart virus
+4	Herpes
+5	Actinomyces
+6	Other
+9	Positive
+”--”	No repeat months
+”-----”	No time interval

**+9511 Test results, coded**

+1	Inadequate
+2	Negative
+3	Mild dyskaryosis
+4	Severe dyskaryosis
+5	Severe dyskaryosis/invasive varcinoma
+6	?Glandular Neoplasia
+7	Moderate dyskaryosis
+8	Borderline changes
+r	Repeat advised
+s	Suspend
+B	Borderline
+M	Mild dyskaryosis
+N	Negative



**+9515 Test results, coded**

+(A,...,H) Negative action codes  
+(I,J,K) Inadequate actions codes  
+(P,Q,S) Suspended action codes  
+(R,W,X,Y) Repeat advised action codes  
+Z Ceased action codes

**+9518 Episode status qualifier**

+CRS Call/recall status  
+RST Recall state  
+RTP Recall type

**+9520 Test results qualifier**

+RCD Result code

**+9811 Segment group usage, coded**

+1 Segment group 1  
+2 Segment group 2  
+3 Segment group 3  
+4 Segment group 4  
+5 Segment group 5



***IMPLEMENTATION GUIDELINES  
FOR THE EDIFACT MESSAGE  
NHSPRV:0:2:NH:NHS002***

***Version Number: 1.1  
Issue Date: 20<sup>th</sup> March 2003***

**Message Type : NHSPRV  
Version : 0  
Release : 2  
Controlling Agency : NH  
Assoc Assigned Code : NHS002**

© Crown Copyright 2016

NHS Digital  
Hexagon House  
P.O. Box 78  
Pynes Hill  
Rydon Lane  
Exeter  
EX2 5SE

Telephone:

Exeter (01392) 206700  
Fax (01392) 206946

*IMPLEMENTATION GUIDELINES*

*AMENDMENT HISTORY*

<u>Version:</u>	<u>Date Issued:</u>	<u>Brief Summary of Change:</u>	<u>Owner's Signature:</u>
1.1	23.1.96	Second Published version.	
1.2	14.02.96	Jobtype changed to 2	
1.3	19.03.98	New action codes of 'B' and 'S'.	

This is a copy of the the FHSPRV:0:2:NH:NHS002 with the following changes  
Message was changed as the full history/usage of the FHSPRV message .

1.1	20.03.03	New qualifier of RDM , added consent held flag, New qualifier FCH, New result codes of B, M, N new qualifiers of HPN and HPP Changes to comment lines to allow comments in fields 2 &3 without data in preceding fields.	
-----	----------	---	--

This is a Controlled Document. On receipt of a new version, destroy all previous versions.

## **CONTENTS**

- 1 Introduction
  
- 2 Scope
  - 2.1 Functional definition
  - 2.2 Field of application
  - 2.3 Principles
  
- 3 References
  
- 4 Terms and definitions
  
- 5 Message structure
  - 5.1 Data segment clarification
  - 5.2 Branching diagram
  - 5.3 Segment table
  
- 6 Segment details
  - 6.1 Format and notation
    - 6.1.1 Format
    - 6.1.2 Notation
  - 6.2 Segment implementation guidelines
  
- 7 EDIFACT reference directory
  - 7.1 Formal definition of composites
  - 7.2 Formal definition of data elements
  - 7.3 Data element code values

## **1 Introduction**

This document defines the guidelines for the implementation of the EDIFACT message NHSPRV:0:2:NH:NHS002 for the Transfer of Cytology Deducted Details (including re-directed Laboratory Results.)

The message NHSPRV:0:2:NH:NHS002 is a subset of the EDIFACT message FHSPRV:0:2:FH.

## **2 Scope**

### **2.1 Functional definition**

This message is sent from FHSAs to FHSAs in order to transfer cervical cytology deducted details and re-directed laboratory results for deducted patients.

### **2.2 Field of application**

This message may be applied nationally for all FHSAs with EDIFACT capability.

### **2.3 Principles**

The overall structure of the message is one message for one batch of transferred cytology details and redirected cervical cytology test results.

## **3 References**

See UNTDID, Part 4, Section 2.5, UN/ECE UNSM General Introduction, Section 1.

## **4 Terms and definitions**

See UNTDID, Part 4, Section 2.5, UN/ECE UNSM General Introduction, Section 2.

## 5 Message Structure

### 5.1 Data segment clarification

This section should be read in conjunction with the branching diagram and Segment table which indicate mandatory, conditional and repeating requirements.

This subset does not include those groups and segments which are conditional in the EDIFACT message FHSPRV:0:2:FH and are not required in this implementation.

All segments, composites and data elements (except those marked as additions) are taken from the UN/EDIFACT D.93A directory.

#### **UNH** Message header

A service segment starting and uniquely identifying a message. The message type code for this message is NHSPRV:0:2:NH:NHS002.

#### **BGM** Beginning of message

A segment for identification of the message use.

#### **NAD** Name and address

A segment for specifying the sender and recipient of the message being transferred.

#### **DTM** Date/time/period

A segment identifying the date/time of the message generation

#### **RFF** Reference

This segment identifies the file sequence number provided by CJQ.

#### **\*QTY** Quantity

A segment used to identify the number of characters contained in the record.

#### **+HEA** Health Information

A segment holding a flag indicating whether the sending FHSA uses standard action codes for cytology.

#### **Segment Group 1: S01-NAD-SG2-SG3-SG4**

A group of segments giving information about patients registration details and clinical test details.

##### **+S01** Trigger segment SG1

Trigger (initial) segment for segment group number 1 in a message.

##### **NAD** Name and Address

A segment identifying the patient's national GP code and the FHSA cipher the transfer was originally sent from.

#### **Segment Group 2: S02-PNA-DTM-NAD**

A group of segments identifying the patient in question (name, address etc.)

##### **+S02** Trigger segment SG2

Trigger (initial) segment for segment group number 2 in a message.

##### **+PNA** Person Name

A segment identifying the patient by specifying various name details and identification numbers.

**DTM**            **Date/time/period**  
A segment containing the patient's date of birth.

**NAD**            **Name and Address**  
A segment identifying the patient's address details.

**Segment Group 3: S03-EPI-DTM-HEA-QTY-FTX**  
A group of segments conveying general cytology details about a patient.

**+S03**            **Trigger segment SG3**  
Trigger (initial) segment for segment group number 3 in a message.

**+EPI**            **Episode status**  
A segment containing the Recall state, status of the patient and the type of recall.

**DTM**            **Date/time/period**  
A segment containing the recall date.

**+HEA**            **Health Information**  
A segment containing the patient's positive/doubtful marker and the excluded from target payment flag.

**\*QTY**            **Quantity**  
A segment containing the number of cytology tests recorded for a patient and the number of FHSAs a test has been sent to.

**FTX**            **Free Text**  
A segment holding GP notes, GP reason and cytology data about the patient.

**Segment Group 4: S04-QTY-SG5**  
A group of segments specifying the cytology history of the patient specified in group 2.

**+S04**            **Trigger segment SG4**  
Trigger (initial) segment for segment group number 4 in a message.

**\*QTY,**            **Quantity**  
A segment contain the number of births and abortions/miscarriages at the time the test was taken.

**Segment Group 5: S05-EPI-NAD-TST-DTM-HEA-FTX**  
A group of segments specifying the cytology history of the patient specified in group 2.

**+S05**            **Trigger segment SG5**  
Trigger (initial) segment for segment group number 5 in a message.

**+EPI**            **Episode status**  
A segment containing the Recall status of the patient and the type of recall.



**NAD**            **Name and Address**

A segment identifying a patient's local GP, the sending FHSA, the national lab code and the screening FHSA.

**+TST**            **Test Results**

A segment containing cytology result codes, result code expansions, action code and slide numbers.

**DTM**            **Date/time/period**

A segment containing the cytology test date, the notification date at the time of the test, the invitation date at the time of the test and the prior notification date at the time of the test.

**+HEA**            **Health Information**

A segment containing the type of sender of the test, the condition of the woman regarding pregnancy, the infection marker, the number of months between the test date and the date of next recall, the time interval between test date and recall date, correspondence marker, suspend list parameter and GP parameter.

**FTX**            **Free Text**

A segment holding comments associated with tests.

**UNT**    **Message trailer**

A service segment ending a message, giving the total number of segments in the message and the control reference number of the message.



5.3 Segment Table

<b>UNH</b>	Message header	<b>M</b>	<b>1</b>
<b>BGM</b>	Beginning of message	<b>M</b>	<b>1</b>
<b>NAD</b>	Name and address	<b>M</b>	<b>5</b>
<b>DTM</b>	Date/time/period	<b>M</b>	<b>20</b>
<b>RFF</b>	Reference	<b>C</b>	<b>10</b>
<b>*QTY</b>	Quantity	<b>C</b>	<b>20</b>
<b>+HEA</b>	Health	<b>C</b>	<b>20</b>
Segment Group 1			<b>C 999999</b>
<b>+S01</b>	Trigger segment SG1	<b>M</b>	<b>1</b>
<b>NAD</b>	Name and address	<b>C</b>	<b>20</b>
Segment Group 2			<b>C 10</b>
<b>+S02</b>	Trigger segment SG2	<b>M</b>	<b>1</b>
<b>+PNA</b>	Person name	<b>C</b>	<b>1</b>
<b>DTM</b>	Date/time/period	<b>C</b>	<b>1</b>
<b>NAD</b>	Name and address	<b>C</b>	<b>2</b>
Segment Group 3			<b>C 9999</b>
<b>+S03</b>	Trigger segment SG3	<b>M</b>	<b>1</b>
<b>+EPI</b>	Episode status	<b>C</b>	<b>5</b>
<b>DTM</b>	Date/time/period	<b>C</b>	<b>10</b>
<b>+HEA</b>	Health	<b>C</b>	<b>10</b>
<b>*QTY</b>	Quantity	<b>C</b>	<b>5</b>
<b>FTX</b>	Free text	<b>C</b>	<b>5</b>
Segment Group 4			<b>C 9999</b>
<b>+S04</b>	Trigger segment SG4	<b>M</b>	<b>1</b>
<b>*QTY</b>	Quantity	<b>C</b>	<b>10</b>
Segment Group 5			<b>C 9999</b>
<b>+S05</b>	Trigger segment SG5	<b>M</b>	<b>1</b>
<b>+EPI</b>	Episode status	<b>C</b>	<b>2</b>
<b>NAD</b>	Name and address	<b>C</b>	<b>5</b>
<b>+TST</b>	Test results	<b>C</b>	<b>5</b>
<b>DTM</b>	Date/time/period	<b>C</b>	<b>15</b>
<b>+HEA</b>	Health information	<b>C</b>	<b>10</b>
<b>FTX</b>	Free text	<b>C</b>	<b>5</b>
<b>UNT</b>	Message trailer	<b>M</b>	<b>1</b>

## 6 Segment details

### 6.1 Format and notation

#### 6.1.1 Format

The format of each segment follows the structure defined below:

- a) Segment tag and segment name.
- b) Function of the segment, in the context of its position within the message.
- c) Usage of the segment, indicating whether the segment is mandatory or conditional, and the maximum number of repetitions allowed for the segment (if more than one) in the context of its position within the message.
- d) Comments on the usage of the segment, including any dependency rules for the segment.
- e) A table for the segment, containing the following columns:

**No** - The data element or composite number within the segment

**Data element** - The name of the data element or composite

**Usage** - Usage of the data element, using one of the usage indicators described below.

**Repr** - Representation of the data element, indicating whether the data element may be alphabetic only, numeric only, or alphanumeric and indicating the maximum length of the data or its fixed length.

**Value/Description/Dependency rules** - *Italic text* describes the data to be used for that data element, normal text is used to list possible code values for the data element, and underlined text indicates dependency rules for the data element.

Before the definition of each segment group there is a segment group initial page. This identifies the segments within the segment group and the function, usage and comments on usage in the same way as defined above for each segment.

### 6.1.2 Notation

The following usage indicators may be used for segments, segment groups, data elements and composites:

<b>M (Mandatory)</b>	Defined as mandatory in the message definition, must also be mandatory in this Message Implementation Guideline (MIG).
<b>R (Required)</b>	Defined as conditional in the message definition, use is required in this MIG.
<b>A (Advised)</b>	Defined as conditional in the message definition, use is advised or recommended in this MIG.
<b>D (Dependent)</b>	Defined as conditional in the message definition, use is dependent in this MIG under certain circumstances which will be described.
<b>O (Optional)</b>	Defined as conditional in the message definition, use is optional in this MIG.
<b>N (Not used)</b>	Defined as conditional in the message definition, should not be used in this MIG.

“+” in front of a segment tag, composite, data element or code value indicates that this is a new item, and not found within the EDIFACT D.93A directory.

“\*” in front of a segment tag, composite, data element or code value indicates that this is a modified item, compared with the item found within the EDIFACT D.93A directory.

Within the DTM Date/Time/Period segment, the values of the codes for Date/Time/Period format qualifier represent the following (the difference between Month and Minute being easily recognised in context):

CC	=	Century
YY	=	Year
MM	=	Month
DD	=	Day
HH	=	Hour
MM	=	Minute
SS	=	Second

## 6.2 Segment implementation guidelines

### UNH MESSAGE HEADER

Function: To head, identify and specify a message.

Usage: Mandatory.

Comments:

No	Data Element	Usage	Repr.	Value/Description/Dependency rules
0062	MESSAGE REFERENCE NUMBER	M	an..14	<i>Message Sequence Number</i> Sequential, 00000001 to 99999999
S009	MESSAGE IDENTIFIER	M		
0065	Message type	M	an..6	<i>Identification of the type of message being transmitted.</i> “NHSPRV” = Preventative healthcare
0052	Message version number	M	an..3	<i>Identification of the version number of the message.</i> “0” = Version number of the registration message
0054	Message release number	M	an..3	<i>Identification of the release number of the message type within the current version.</i> “2” = Release number within the current version number
0051	Controlling Agency	M	an..2	<i>Identification of the agency controlling the specification, maintenance and publication of the message type.</i> “NH” = NHSIA
0057	Association assigned code	R	an..6	<i>A code identifying the Message Implementation Guidelines for the message type.</i> “NHS002” = Transfer of Cytology Deducted Details (including Re-directed Laboratory Results)
0068	COMMON ACCESS REFERENCE	N	an..35	
S010	STATUS OF THE TRANSFER	N		
0070	Sequence of transfers	N	n..2	
0073	First and last transfer	N	a1	

**BGM BEGINNING OF MESSAGE**

Function: To indicate the beginning of a message and to transmit the data type.

Usage: Mandatory.

Comments: This segment is used to provide a data type for the message, which indicates its use.

No	Data Element	Usage	Repr.	Value/Description/Dependency rules
C002	DOCUMENT/MESSAGE NAME	N		
1001	Document/message name, coded	N	an..3	
1131	Code list qualifier	N	an..3	
3055	Code list responsible agency, coded	N	an..3	
1000	Document/message name	N	an..35	
1004	DOCUMENT/MESSAGE NUMBER	N	an..35	
1225	MESSAGE FUNCTION, CODED	R	an..3	<i>Identification data type of message.</i> +"2" = Transfer of Cytology Deducted Details (including Re-directed Laboratory Results)
4343	RESPONSE TYPE, CODED	N	an..3	

**NAD NAME AND ADDRESS**

Function: To provide the identification and name details of a healthcare party.

Usage: Mandatory, 2 repetitions required.

Comments: This segment is used to identify the sending FHSA by cipher, and the recipient FHSA by cipher.

No	Data Element	Usage	Repr.	Value/Description/Dependency rules
3035	PARTY QUALIFIER	M	an..3	Code for type of healthcare party +"SFH" = Sending FHSA +"FHS" = Receiving FHSA
C082	PARTY IDENTIFICATION DETAILS	R		Used to hold the code for the healthcare party.
3039	Party id identification	M	an..17	Cipher of the sending FHSA Cipher of the receiving FHSA.
1131	Code list qualifier	R	an..3	Code list specifying the healthcare registration identification. +"954" = FHSA
3055	Code list responsible agency, coded	N	an..3	
C058	NAME AND ADDRESS	N		
3124	Name and address line	N	an..35	
3124	Name and address line	N	an..35	
3124	Name and address line	N	an..35	
3124	Name and address line	N	an..35	
3124	Name and address line	N	an..35	
C080	PARTY NAME	N		
3036	Party name	N	an..35	
3036	Party name	N	an..35	
3036	Party name	N	an..35	
3036	Party name	N	an..35	
3036	Party name	N	an..35	
3045	Party name format, coded	N	an..3	
C059	STREET	N		
3042	Street and number/P.O. Box	N	an..35	
3042	Street and number/P.O. Box	N	an..35	



3042	Street and number/P.O. Box	N	an..35	
3164	CITY NAME	N	an..35	
3229	COUNTY SUB-ENTITY IDENTIFICATION	N	an..9	
3251	POSTCODE IDENTIFICATION	N	an..9	
3207	COUNTRY, CODED	N	an..3	

**DTM            DATE/TIME/PERIOD**

Function:        To specify the date/time the message was generated.

Usage:            Mandatory.

Comments:        This segment must be used to provide the date and time the message was translated.

No	Data Element	Usage	Repr.	Value/Description/Dependency rules
C507	DATE/TIME/PERIOD	M		
2005	Date/time/period qualifier	M	an..3	<i>Code for type of date/time</i> "137" = Document/message date/time
2380	Date/time/period	R	an..35	<i>Date and time the message was translated.</i>
2379	Date/time/period format qualifier	R	an..3	<i>Code for format of date/time.</i> "203" = CCYYMMDDHHMM

**RFF REFERENCE**

Function: To specify a reference for the transfer of data.

Usage: Optional.

Comments: This segment is used to specify the transfer reference number.

No	Data Element	Usage	Repr.	Value/Description/Dependency rules
C506	REFERENCE	M		
1153	Reference qualifier	M	an..3	<i>Code to identify the reference number being transferred.</i> "TN" = Transaction reference number
1154	Reference number	R	an..35	<i>The file sequence number for the data being transferred.</i>
1156	Line number	N	an..6	
4000	Reference version number	N	an..35	

**\*QTY            QUANTITY**

Function:        To specify pertinent quantities.

Usage:            Required.

Comments:        This segment is used to transfer the number of characters contained in the record.

No	Data Element	Usage	Repr.	Value/Description/Dependency rules
*C186	QUANTITY DETAILS	R		
6063	Quantity qualifier	M	an..3	+“956” = Size of record
6060	Quantity	M	an..15	<i>Numerical value of number of characters contained within record</i>
+C848	MEASUREMENT UNIT DETAILS	N		
*6411	Measurement unit identification	N	an..17	
1131	Code list qualifier	N	an..3	
3055	Code list responsible agency, coded	N	an..3	
+6410	Measurement unit	N	an..35	

**+HEA HEALTH INFORMATION**

Function: To specify items of health information

Usage: Required

Comments: Holds an indicator specifying whether the sending FHSA uses standard action codes for cytology.

No	Data Element	Usage	Repr.	Value/Description/Dependency rules
+9506	HEALTH INFORMATION QUALIFIER	M	an..3	<i>Qualifier identifying the type of health information being specified.</i> +"CAC" = Cytology action codes
+C973	HEALTH INFORMATION	R		<i>Code identifying whether the sending FHSA uses standard action codes for cytology.</i> "Y" = Standard action codes used "N" = Non-standard action codes used "B" = Boundary change using old standard action codes "S" = Boundary change using new standard action codes
+9507	Health information identification	R	an..10	
1131	Code list qualifier	N	an..3	
3055	Code list responsible agency, coded	N	an..3	
+9508	Health	N	an..35	

**Segment Group 1: S01-NAD-SG2-SG3-SG4**

**Function:** To provide information about patients and related subjects.

**Usage:** Required, maximum repetitions 999999

**Comments:** For this message, this segment group is used to convey details about a woman's registration information, cytology data and cervical cytology test results.

Each repetition of this segment group represents information for one patient.

**+S01 TRIGGER SEGMENT SG1**

Function: Trigger segment for segment group number 1 in a message.

Usage: Mandatory.

Comments:

No	Data Element	Usage	Repr.	Value/Description/Dependency rules
+C851	SEGMENT GROUP USAGE DETAILS	R		
+9811	Segment group usage, coded	R	an..3	<i>Code to indicate usage of the segment</i> +"1" = Segment group 1
1131	Code list qualifier		an..3	
3055	Code list responsible agency, coded	N	an..3	
+9810	Segment group usage	N	an..70	

**NAD NAME AND ADDRESS**

Function: To identify relevant parties.

Usage: Optional, maximum 2 repetitions.

Comments: This segment is used to identify the patient's GP national Code and the FHSA cipher the transfer was originally sent from.

No	Data Element	Usage	Repr.	Value/Description/Dependency rules
3035	PARTY QUALIFIER	M	an..3	Code for type of healthcare party +"GP" = Current GP +"FHS" = FHSA
C082	PARTY IDENTIFICATION DETAILS	R		Used to hold the code for the healthcare party.
3039	Party id identification	M	an..17	National code of the patient's GP. FHSA cipher from which the transfer was originally sent.
1131	Code list qualifier	R	an..3	Code list specifying the healthcare registration identification. +"900" = National GP +"954" = FHSA
3055	Code list responsible agency, coded	N	an..3	
C058	NAME AND ADDRESS	N		
3124	Name and address line	N	an..35	
3124	Name and address line	N	an..35	
3124	Name and address line	N	an..35	
3124	Name and address line	N	an..35	
3124	Name and address line	N	an..35	
C080	PARTY NAME	N		
3036	Party name	N	an..35	
3036	Party name	N	an..35	
3036	Party name	N	an..35	
3036	Party name	N	an..35	
3036	Party name	N	an..35	
3045	Party name format, coded	N	an..3	
C059	STREET	N		



3042	Street and number/P.O. Box	N	an..35	
3042	Street and number/P.O. Box	N	an..35	
3042	Street and number/P.O. Box	N	an..35	
3164	CITY NAME	N	an..35	
3229	COUNTY SUB-ENTITY IDENTIFICATION	N	an..9	
3251	POSTCODE IDENTIFICATION	N	an..9	
3207	COUNTRY, CODED	N	an..3	

## **Segment Group 2: S02-PNA-DTM-NAD**

**Function:** To provide personal information about a patient.

**Usage:** Required, maximum two repetitions. The second repetition is optional.

**Comments:** This segment group is used to convey personal details about women patients.

The first occurrence of this segment group for a patient will hold current information such as the patient's current forename and family name and title.

The second occurrence of this segment group for a patient will hold the patient's previous family name.

**+S02 TRIGGER SEGMENT SG2**

Function: Trigger segment for segment group number 2 in a message.

Usage: Mandatory.

Comments:

No	Data Element	Usage	Repr.	Value/Description/Dependency rules
+C851	SEGMENT GROUP USAGE DETAILS	R		
+9811	Segment group usage, coded	R	an..3	<i>Code to indicate usage of the segment</i> +"2" = Segment group 2
1131	Code list qualifier	N	an..3	
3055	Code list responsible agency, coded	N	an..3	
+9810	Segment group usage	N	an..70	

**+PNA PERSON NAME**

Function: To specify information necessary to establish the identity of the patient.

Usage: Required.

Comments: This segment is used to provide both identification numbers and name details for the patient.

No	Data Element	Usage	Repr.	Value/Description/Dependency rules
3035	PARTY QUALIFIER	M	an..3	<i>Code for type of person.</i> +"PAT" = Patient (used for usual name of patient and NHS number) +"PER" = Person (used for previous names)
C206	IDENTIFICATION NUMBER	D		<u>In the first repeat of this segment group, this composite must exist and hold the patient's NHS number.</u>
7402	Identity number	M	an..35	<i>Official patient identification (NHS number)</i>
7405	Identity number qualifier	R	an..3	+"OPI" = Official patient identification
+3797	NAME TYPE, CODED	N	an..3	
+3799	NAME STATUS, CODED	N	an..3	
+C816	NAME COMPONENT DETAILS	O		<i>Person name details (of patient)</i> <i>Previous person name</i>
+3835	Name component qualifier	M	an..3	<i>Code for type of name component.</i> +"SU" = Family name
+3836	Name component	R	an..70	<i>Family name</i> <i>Previous family name</i>
+3839	Name component status, coded	N	an..3	
+3841	Name component original representation, coded	N	an..3	
+C816	NAME COMPONENT DETAILS	O		<i>Extra name of the patient</i>
+3835	Name component qualifier	M	an..3	<i>Code for type of name component</i> +"EN" = Extra name
+3836	Name component	R	an..70	<i>Extra name of the patient</i>
+3839	Name component status, coded	N	an..3	
+3841	Name component original representation, coded	N	an..3	
+C816	NAME COMPONENT DETAILS	O		<i>Person name details (of patient)</i>
+3835	Name component qualifier	M	an..3	<i>Code for type of name component</i> +"FO" = First given name

+3836	Name component	R	an..70	<i>First given name</i>
+3839	Name component status, coded	N	an..3	
+3841	Name component original representation, coded	N	an..3	
+C816	NAME COMPONENT DETAILS	O		<i>Person name details (of patient)</i>
+3835	Name component qualifier	M	an..3	<i>Code for type of name component</i> +"MI" = Middle name
+3836	Name component	R	an..70	<i>Second forename</i>
+3839	Name component status, coded	N	an..3	
+3841	Name component original representation, coded	N	an..3	
+C816	NAME COMPONENT DETAILS	O		<i>Person name details (of patient)</i>
+3835	Name component qualifier	M	an..3	<i>Code for type of name component</i> +"TI" = Title
+3836	Name component	R	an..70	<i>Title</i>
+3839	Name component status, coded	N	an..3	
+3841	Name component original representation, coded	N	an..3	

**DTM DATE/TIME/PERIOD**

Function: To specify a date, time, period.

Usage: Required.

Comments: This segment is used to identify the patient's date of the birth.

No	Data Element	Usage	Repr.	Value/Description/Dependency rules
C507	DATE/TIME/PERIOD	M		
2005	Date/time/period qualifier	M	an..3	<i>Code for type of date/time</i> "329" = Birth date/time
2380	Date/time/period	R	an..35	<i>Date of birth</i>
2379	Date/time/period format qualifier	R	an..3	"950" = CYYMMDD

**NAD NAME AND ADDRESS**

Function: To provide address details of the patient.

Usage: Optional.

Comments: This segment is used to identify the address of the patient.

This segment may only be present on the first repetition of segment group 2.

No	Data Element	Usage	Repr.	Value/Description/Dependency rules
3035	PARTY QUALIFIER	M	an..3	<i>Code for type of healthcare party +"PAT" = Health patient</i>
C082	PARTY IDENTIFICATION DETAILS	N		
3039	Party id identification	N	an..17	
1131	Code list qualifier	N	an..3	
3055	Code list responsible agency, coded	N	an..3	
C058	NAME AND ADDRESS	O		<i>The address of the patient</i>
3124	Name and address line	M	an..35	<i>Patient address line 1.</i>
3124	Name and address line	O	an..35	<i>Patient address line 2.</i>
3124	Name and address line	O	an..35	<i>Patient address line 3.</i>
3124	Name and address line	O	an..35	<i>Patient address line 4.</i>
3124	Name and address line	N	an..35	
C080	PARTY NAME	N		
3036	Party name	N	an..35	
3036	Party name	N	an..35	
3036	Party name	N	an..35	
3036	Party name	N	an..35	
3036	Party name	N	an..35	
3045	Party name format, coded	N	an..3	
C059	STREET	N		
3042	Street and number/P.O. Box	N	an..35	
3042	Street and number/P.O. Box	N	an..35	
3042	Street and number/P.O. Box	N	an..35	

3164	CITY NAME	N	an..35	
3229	COUNTY SUB-ENTITY IDENTIFICATION	N	an..9	
3251	POSTCODE IDENTIFICATION	O	an..9	<i>The postcode of the patient.</i>
3207	COUNTRY, CODED	N	an..3	



**Segment Group 3: S03-EPI-DTM-HEA-QTY-FTX**

**Function:** To provide information about a patient's screening episode.

**Usage:** Optional, maximum one repetition.

**Comments:** This segment group is used to convey general cytology details about a patient.

**+S03 TRIGGER SEGMENT SG3**

Function: Trigger segment for segment group number 3 in a message.

Usage: Mandatory.

Comments:

No	Data Element	Usage	Repr.	Value/Description/Dependency rules
+C851	SEGMENT GROUP USAGE DETAILS	R		
+9811	Segment group usage, coded	R	an..3	<i>Code to indicate usage of the segment</i> +"3" = Segment group 3
1131	Code list qualifier	N	an..3	
3055	Code list responsible agency, coded	N	an..3	
+9810	Segment group usage	N	an..70	

**+EPI EPISODE STATUS**

Function: To identify the status of a patient episode.

Usage: Optional, maximum 3 repetitions.

Comments: This segment is used to hold the recall state, recall type and recall status of the patient.

No	Data Element	Usage	Repr.	Value/Description/Dependency rules
+9518	EPISODE STATUS QUALIFIER	M	an..3	<p><i>Qualifier specifying whether this segment contains details about the recall state, status or type.</i></p> <p>+”CRS” = Call/recall status                      +”RST” = Recall state                      +”RTP” = Recall type</p>
+C971	STATUS	R		
+9502	Status, coded	R	an..3	<p><i>Code specifying the recall status (1, ”G”, ”N”, ”P”, 2, ”F”, ”H”, ”S”, ”C”, ”L”, ”Z”), recall state (”A”, ”S”, ”C”, ”Z”) and recall type (”N”, ”R”, ”S”, ”I”, ”C”, ”L”).</i></p> <p>+”A” = Actual recall                      +”C” = Ceased recall                      +”F” = First non-Responder                      +”G” = GP informed                      +”H” = Final non-Responder                      +”I” = Inadequate recall                      +”L” = First recall <i>(for qualifier RST and RTP only.)</i>                      +”N” = Routine recall <i>(for qualifier RST and RTP only.)</i>                      +”P” = Patient informed                      +”R” = Repeat advised recall                      +”S” = Suspended recall                      +”Z” = No current recall <i>(for RST only.)</i></p> <p>+”1” = No action                      +”2” = Second letter                      +”L” = Logged slide <i>(for qualifier CRS only.)</i>                      +”N” = GP not informed <i>(for qualifier CRS only)</i>                      +”Z” = Patient from outside FHSA <i>(for CRS only)</i></p>
1131	Code list qualifier	R	an..3	<p><i>Code specifying the list containing the codes specified in element 9502.</i></p> <p>”ZZZ” = Mutually defined</p>
3055	Code list responsible agency, coded	N	an..3	
+9503	Status	N	an..35	

+C972	AUTHORISATION	N		
+9504	Authorisation, coded	N	an..3	
1131	Code list qualifier	N	an..3	
3055	Code list responsible agency, coded	N	an..3	
+9505	Authorisation	N	an..35	

**DTM DATE/TIME/PERIOD**

Function: To specify a date, time, period.

Usage: Optional.

Comments: This segment is used to identify the recall date.

No	Data Element	Usage	Repr.	Value/Description/Dependency rules
C507	DATE/TIME/PERIOD	M		
2005	Date/time/period qualifier	M	an..3	<i>Code for type of date/time</i> +“966” = Date of recall
2380	Date/time/period	R	an..35	<i>Date patient is due to be called/recalled for their next test</i>
2379	Date/time/period format qualifier	R	an..3	<i>Code for format of date/time.</i> “2” = DDMMYY

**+HEA HEALTH INFORMATION**

Function: To provide specific health information.

Usage: Optional, maximum 3 repetitions.

Comments: Identifies whether the patient has ever had a suspended or repeat advised test result, and whether the patient is included in the target payment calculation.

No	Data Element	Usage	Repr.	Value/Description/Dependency rules
+9506	HEALTH INFORMATION QUALIFIER	M		<i>Qualifier identifying the type of health information being specified.</i> +”PDM”= Positive doubtful marker +”ETP” = Excluded from target payments +”RDM” = Redirect Marker
+C973	HEALTH INFORMATION	R		<i>Code identifying whether patient ever had a suspended or repeat advised test result, and whether the patient falls into a category excluded from the target payment calculation.</i> +”N” = No +”Y” = Yes  <i>Code specifying the list containing the codes specified in element 9507.</i> “ZZZ” = Mutually defined
+9507	Health information identification	R	an..10	
1131	Code list qualifier	R	an..3	
3055	Code list responsible agency, coded	N	an..3	
+9508	Health	N	an..35	

**\*QTY QUANTITY**

Function: To specify pertinent quantities.

Usage: Optional, maximum 2 repetitions.

Comments: This segment is used to transfer the number of cytology tests recorded for a patient and the number of FHSAs the test has been sent to.

No	Data Element	Usage	Repr.	Value/Description/Dependency rules
*C186	QUANTITY DETAILS	R		
6063	Quantity qualifier	M	an..3	+“957” = Number of tests +“958” = Number of FHSAs
6060	Quantity	M	an..15	<i>Numerical value of number of tests, or number of FHSAs.</i>
+C848	MEASUREMENT UNIT DETAILS	N		
*6411	Measurement unit identification	N	an..17	
1131	Code list qualifier	N	an..3	
3055	Code list responsible agency, coded	N	an..3	
+6410	Measurement unit	N	an..35	

**FTX        FREE TEXT**

Function:        To specify free text

Usage:            Optional, maximum three repetitions.

Comments:        This segment is used to transfer a GP free text field for GPs using GP links for Prior Notification Lists, GP's reasons for any decision regarding a woman's recall and general cytology data about a patient.

No	Data Element	Usage	Repr.	Value/Description/Dependency rules
4451	TEXT SUBJECT QUALIFIER	M	an..3	+ "GFT" =GP free text + "RRT" =Recall related text + "CYN" =Cytology notes
4453	TEXT FUNCTION, CODED	N	an..3	
C107	TEXT REFERENCE	N		
4441	Free text, coded	N	an..3	
1131	Code list qualifier	N	an..3	
3055	Code list responsible agency, coded	N	an..3	
C108	TEXT LITERAL	R		<i>Text relating to the text subject qualifier</i>
4440	Free text	M	an..70	<i>First 70 characters of GP free text, GP reasons for decision regarding recall, cytology notes line 1.</i>
4440	Free text	O	an..70	<i>Remaining characters of GP free text, cytology notes line 2.</i>
4440	Free text	O	an..70	<i>Cytology notes line 3</i>
4440	Free text	N	an..70	
4440	Free text	N	an..70	
3453	LANGUAGE, CODED	N	an..3	



**Segment Group 4: S04-QTY-SG5**

**Function:** To provide information about a patient's screening episode.

**Usage:** Optional, maximum 99 repetitions.

**Comments:** This segment group is used to convey clinical test data.

**+S04 TRIGGER SEGMENT SG4**

Function: Trigger segment for segment group number 4 in a message.

Usage: Mandatory.

Comments:

No	Data Element	Usage	Repr.	Value/Description/Dependency rules
+C851	SEGMENT GROUP USAGE DETAILS	R		
+9811	Segment group usage, coded	R	an..3	<i>Code to indicate usage of the segment</i> +"4" = Segment group 4
1131	Code list qualifier	N	an..3	
3055	Code list responsible agency, coded	N	an..3	
+9810	Segment group usage	N	an..70	

**\*QTY QUANTITY**

Function: To specify pertinent quantities.

Usage: Optional, maximum 2 repetitions.

Comments: This segment is used to transfer the number of births and the number of abortions/miscarriages at the time the test was taken.

No	Data Element	Usage	Repr.	Value/Description/Dependency rules
*C186	QUANTITY DETAILS	R		
6063	Quantity qualifier	M	an..3	+“959” = Number of Births +“960” = Number of miscarriages
6060	Quantity	M	an..15	<i>Numerical value of number of births or miscarriages/abortions.</i>
+C848	MEASUREMENT UNIT DETAILS	N		
*6411	Measurement unit identification	N	an..17	
1131	Code list qualifier	N	an..3	
3055	Code list responsible agency, coded	N	an..3	
+6410	Measurement unit	N	an..35	

**Segment Group 5: EPI-NAD-TST-DTM-HEA-FTX**

**Function:** To provide information about a patient's screening episode.

**Usage:** Optional, maximum 99 repetitions.

**Comments:** This segment group is used to convey clinical test data.

**+S05 TRIGGER SEGMENT SG5**

Function: Trigger segment for segment group number 5 in a message.

Usage: Mandatory.

Comments:

No	Data Element	Usage	Repr.	Value/Description/Dependency rules
+C851	SEGMENT GROUP USAGE DETAILS	R		
+9811	Segment group usage, coded	R	an..3	<i>Code to indicate usage of the segment</i> +"5" = Segment group 5
1131	Code list qualifier	N	an..3	
3055	Code list responsible agency, coded	N	an..3	
+9810	Segment group usage	N	an..70	

**+EPI EPISODE STATUS**

Function: To identify the status of a patient episode.

Usage: Optional, maximum 2 repetitions.

Comments: This segment is used to hold the recall type and recall status of the patient.

No	Data Element	Usage	Repr.	Value/Description/Dependency rules
+9518	EPISODE STATUS QUALIFIER	M	an..3	<i>Qualifier specifying whether this segment contains details about the recall state, status or type.</i> +"CRS" = Call/recall status +"RTP" = Recall type
+C971	STATUS	R		
+9502	Status, coded	R	an..3	<i>Code specifying the recall status (1,"G", "N", "P", 2,"F", "H", "S", "C", "L", "Z", "-"), and recall type ("N", "R", "S", "I", "C", "L", "-").</i> +"C" = Ceased recall +"F" = First non-Responder +"G" = GP informed +"H" = Final non-Responder +"I" = Inadequate recall +"L" = First recall ( <i>qualifier RTP</i> ) +"N" = Routine recall ( <i>qualifier RTP</i> ) +"P" = Patient informed +"R" = Repeat advised recall +"S" = Suspended recall +"-" = No previous recall status/type +"1" = No action +"2" = Second letter( <i>qualifier RTP</i> ) +"L" = Logged slide( <i>qualifier CRS</i> ) +"N" = GP not informed ( <i>qualifier CRS</i> ) +"Z" = Patient from outside FHSA
1131	Code list qualifier	R	an..3	<i>Code specifying the list containing the codes specified in element 9502.</i> "ZZZ" = Mutually defined
3055	Code list responsible agency, coded	N	an..3	
+9503	Status	N	an..35	
+C972	AUTHORISATION	C		
+9504	Authorisation, coded	M	an..3	"Y" = Yes "N" = No
1131	Code list qualifier	M	an..3	"CH" = Consent Held
3055	Code list responsible agency, coded	N	an..3	

<b>No</b>	<b>Data Element</b>	<b>Usage</b>	<b>Repr.</b>	<b>Value/Description/Dependency rules</b>
+9505	Authorisation	N	an..35	

**NAD NAME AND ADDRESS**

Function: To identify relevant parties.

Usage: Optional, maximum 5 repetitions.

Comments: This segment is used to identify the patient's local GP code at the sending FHSA, the sender code of the test at the sending FHSA, the national laboratory code where the test was analysed and the screening FHSA cipher.

No	Data Element	Usage	Repr.	Value/Description/Dependency rules
3035	PARTY QUALIFIER	M	an..3	Code for type of healthcare party +"GP" = Current GP +"FHS" = FHSA +"PLB" = Patient's laboratory details +"SCF" = Screening FHSA +"FCH" = FHSA where consent held
C082	PARTY IDENTIFICATION DETAILS	R		Used to hold the code for the healthcare party.
3039	Party id identification	M	an..17	Local code of the patient's GP Sender code of the test at the sending FHSA National Laboratory code FHSA where test was first recorded
1131	Code list qualifier	R	an..3	Code list specifying the healthcare registration identification. +"954" = FHSA +"959" = Pathology Laboratory National Code "ZZZ" = Mutually Defined
3055	Code list responsible agency, coded	N	an..3	
C058	NAME AND ADDRESS	N		
3124	Name and address line	N	an..35	
3124	Name and address line	N	an..35	
3124	Name and address line	N	an..35	
3124	Name and address line	N	an..35	
3124	Name and address line	N	an..35	
C080	PARTY NAME	N		
3036	Party name	N	an..35	
3036	Party name	N	an..35	



3036	Party name	N	an..35	
3036	Party name	N	an..35	
3036	Party name	N	an..35	
3045	Party name format, coded	N	an..3	
C059	STREET	N		
3042	Street and number/P.O. Box	N	an..35	
3042	Street and number/P.O. Box	N	an..35	
3042	Street and number/P.O. Box	N	an..35	
3164	CITY NAME	N	an..35	
3229	COUNTY SUB-ENTITY IDENTIFICATION	N	an..9	
3251	POSTCODE IDENTIFICATION	N	an..9	
3207	COUNTRY, CODED	N	an..3	

**+TST TEST RESULTS**

Function: To specify test results.

Usage: Optional, maximum 3 repetitions.

Comments: This segment is used to hold the patient's test result code, the description of the result code, the test action code and the slide number of the test result.

No	Data Element	Usage	Repr.	Value/Description/Dependency rules
+9520	TEST RESULTS QUALIFIER	M	an..3	+”RCD” = Results codes
+C975	TEST RESULT	O		
+9511	Test result, coded	M	an..3	<p><i>Cytology result codes</i></p> <p>+”1” = Inadequate  +”2” = Negative  +”3” = Mild Dyskaryosis  +”4” = Severe Dyskaryosis  +”5” = Severe Dyskaryosis/invasive varcinoma  +”6” = ? Glandular Neoplasia  +”7” = Moderate Dyskaryosis  +”8” = Borderline Changes  +”r” = Repeat advised  +”s” = Suspend  +”B” = Borderline  +”M” = Mild Dyskaryosis  +”N” = Negative  <i>NB: Translation of “r” and “s” to upper case is required.</i></p>
1131	Code list qualifier	O	an..3	<p><i>Code specifying the list containing the codes specified in element 9511.</i></p> <p>+”ZZZ” = Mutually defined</p>
3055	Code list responsible agency, coded	N	an..3	
+C976	SAMPLE IDENTIFIER	O		
+9513	Sample type qualifier	M	an..3	<p><i>Code for type of qualifier</i></p> <p>+”SNO” = Slide number</p>
+9514	Sample identification	M	an..17	<i>Numeric value identifying a slide</i>

+C977	TEST INFORMATION	O		
+9515	Test coded	M	an..3	<p><i>Test action codes</i></p> <p><i>Negative Action Codes</i> +("A","B","C","D","E","F","G","H")</p> <p><i>Inadequate Action Codes</i> +("I","J","K")</p> <p><i>Suspended Action Codes</i> +("P","Q","S")</p> <p><i>Repeat Advised Action Codes</i> +("R","W","X","Y")</p> <p><i>Ceased Action Codes</i> +"Z"</p>
1131	Code list qualifier	O	an..3	<p><i>Code specifying the list containing the codes specified in element 9515.</i></p> <p>"ZZZ" = Mutually defined</p>
3055	Code list responsible agency, coded	N	an..3	
+9516	Test	N	an..35	
+9512	TEST RESULT, TEXT	O	an..35	<i>Description of the result code</i>

**DTM DATE/TIME/PERIOD**

Function: To specify a date, time, period.

Usage: Optional, maximum 4 repetitions.

Comments: This segment is used to identify the cytology test date, the notification date at the time of the test, the invitation date at the time of the test and the prior notification date.

No	Data Element	Usage	Repr.	Value/Description/Dependency rules
C507	DATE/TIME/PERIOD	M		
2005	Date/time/period qualifier	M	an..3	<i>Code for type of date/time</i> "119" = Test performed date +"968" = Notification date +"969" = Invitation date +"970" = Prior notification date
2380	Date/time/period	R	an..35	<i>Date of cytology test, notification date and invitation date and prior notification date.</i>
2379	Date/time/period format qualifier	R	an..3	<i>Code for format of date/time.</i> <i>Test performed date format</i> "2" = DDMMYY <i>Notification date format</i> "102" = CCYYMMDD <i>Invitation date format</i> <i>Prior notification date format</i> "610" = CCYYMM

**+HEA HEALTH INFORMATION**

Function: To provide specific health information.

Usage: Optional, maximum 9 repetitions.

Comments: Identifies the type of sender of the test, the condition of the woman with regards to pregnancy, the infection marker associated with the test, the number of months between the test date and the date of the next recall, the time interval between the test date and the recall due date in days, the correspondence marker which is set with each test, the suspend list parameter and the GP parameter.

No	Data Element	Usage	Repr.	Value/Description/Dependency rules
+9506	HEALTH INFORMATION QUALIFIER	M		<p><i>Qualifier identifying the type of health information being specified.</i></p> <p>+”SRC” = Source code                      +”CON” = Condition                      +”INM” = Infection marker                      +”RPM” = Repeat months                      +”TIN” = Time interval                      +”CMK” = Correspondence marker                      +”SLP” = Suspend list parameter                      +”GPP” = GP parameter                      +”HPV” = Human Papilloma Virus</p>
+C973 +9507	HEALTH INFORMATION Health information identification	R R	an..10	<p><i>Code identifying the type of sender of the test, the condition of the woman, the infection marker, repeat months, time interval, correspondence marker, suspend list parameter and GP parameter.</i></p> <p>+”H” = Valid sender                      +”G” = Valid GP                      +”X” = Invalid sender                      +”N” = Invalidated NHS GP  <i>Only for qualifier SRC</i>                      +”1” = Trichomonas                      +”2” = Candida                      +”3” = Wart virus                      +”4” = Herpes                      +”5” = Actinomyces                      +”6” = Other                      +”0” = Negative</p>

				<p>+”9” = Positive</p> <p>A “+” in front denotes the test was taken before the recall date.</p> <p>A “-” in front denotes the test was taken after the recall date.</p> <p>+”-” = No repeat months</p> <p>+”-----” = No time interval</p> <p>+”Y” = Yes.</p> <p>+”N” = No. <i>Not for qualifier SRC</i></p> <p><i>Numeric value indicating time interval</i></p> <p><i>Numeric value indicating repeat months</i></p>
1131	Code list qualifier	R	an..3	<p><i>Code specifying the list containing the codes specified in element 9507.</i></p> <p>“ZZZ” = Mutually defined</p>
3055	Code list responsible agency, coded	N	an..3	
+9508	Health	N	an..35	

**FTX            FREE TEXT**

Function:      To specify free text

Usage:         Optional.

Comments:     This segment is used to transfer comments associated with the test.

No	Data Element	Usage	Repr.	Value/Description/Dependency rules
4451	TEXT SUBJECT QUALIFIER	M	an..3	+”TCT” = Comments relating to the test.
	TEXT FUNCTION, CODED	N	an..3	
C107	TEXT REFERENCE	N		
4441	Free text, coded	M	an..3	
1131	Code list qualifier	N	an..3	
3055	Code list responsible agency, coded	N	an..3	
C108	TEXT LITERAL	R		
4440	Free text	M	an..70	<i>Comment line 1</i>
4440	Free text	O	an..70	<i>Comment line 2</i>
4440	Free text	O	an..70	<i>Comment line 3</i>
4440	Free text	N	an..70	
4440	Free text	N	an..70	
3453	LANGUAGE, CODED	N	an..3	

**UNT MESSAGE TRAILER**

Function: To end and check the completeness of a message.

Usage: Mandatory

Comments:

No	Data Element	Usage	Repr.	Value/Description/Dependency rules
0074	NUMBER OF SEGMENTS IN A MESSAGE	M	n..6	Count of the number of segments in the message, including the UNH and UNT segments.
0062	MESSAGE REFERENCE NUMBER	M	an..14	Sender's unique message reference, identical to 0062 in the UNH segment.



## 7 Composite data element index (Numeric sequence)

### 7.1 Formal definition of composites

#### Listing of composites by Tag

C002	DOCUMENT/MESSAGE NAME
C058	NAME AND ADDRESS
C059	STREET
C080	PARTY NAME
C082	PARTY IDENTIFICATION DETAILS
C107	TEXT REFERENCE
C108	TEXT LITERAL
*C186	QUANTITY DETAILS
C206	IDENTIFICATION NUMBER
C506	REFERENCE
C507	DATE/TIME/PERIOD
+C816	NAME COMPONENT DETAILS
+C848	MEASUREMENT UNIT DETAILS
+C851	SEGMENT GROUP USAGE DETAILS
+C971	STATUS
+C972	AUTHORISATION
+C973	HEALTH INFORMATION
+C975	TEST RESULT
+C976	SAMPLE IDENTIFIER
+C977	TEST INFORMATION

Composite specifications**C002 DOCUMENT/MESSAGE NAME**

Desc: Identification of a type of document/message by code or name.

1001	Document/message name, coded	C	an..3
1131	Code list qualifier	C	an..3
3055	Code list responsible agency, coded	C	an..3
1000	Document/message name	C	an..35

**C058 NAME AND ADDRESS**

Desc: Unstructured name and address: one to five lines.

3124	Name and address line	M	an..35
3124	Name and address line	C	an..35
3124	Name and address line	C	an..35
3124	Name and address line	C	an..35
3124	Name and address line	C	an..35

**C059 STREET**

Desc: Street address and/or PO Box number in a structured address: one to three lines.

3042	Street and number/PO Box	M	an..35
3042	Street and number/PO Box	C	an..35
3042	Street and number/PO Box	C	an..35

**C080 PARTY NAME**

Desc: Identification of a transaction party by name, one to five lines. Party name may be formatted.

3036	Party name	M	an..35
3036	Party name	C	an..35
3036	Party name	C	an..35
3036	Party name	C	an..35
3036	Party name	C	an..35
3036	Party name format, coded	C	an..3

**C082 PARTY IDENTIFICATION DETAILS**

Desc: Identification of a transaction party by code.

3039	Party Id identification	M	an..17
1131	Code list qualifier	C	an..3
3055	Code list responsible agency, coded	C	an..3

**C107****TEXT REFERENCE**

Desc: Coded reference to a standard text and its source.

4441	Free text, coded	M	an..3
1131	Code list qualifier	C	an..3
3055	Code list responsible agency, coded	C	an..3

**C108****TEXT LITERAL**

Desc: Free text: one to five lines

4440	Free text	M	an..70
4440	Free text	C	an..70
4440	Free text	C	an..70
4440	Free text	C	an..70
4440	Free text	C	an..70

**\*C186****QUANTITY DETAILS**

Desc: Quantity information in a transaction, qualified when relevant.

6063	Quantity qualifier	M	an..3
6060	Quantity	M	n..15

**C206****IDENTIFICATION NUMBER**

Desc: The identification of an object

7402	Identity number	C	an..35
7405	Identity number qualifier	C	an..3

**C506****REFERENCE**

Desc: Identification of a reference.

1153	Reference qualifier	M	an..3
1154	Reference number	C	an..35
1156	Line number	C	an..6
4000	Reference version number	C	an..35

**C507****DATE/TIME/PERIOD**

Desc: Date and/or time, or period relevant to the specified date/time/period type.

2005	Date/time/period qualifier	M	an..3
2380	Date/time/period	C	an..35
2379	Date/time/period format qualifier	C	an..3

**+C816 NAME COMPONENT DETAILS**

Desc: To specify a name component.

+3835	Name component qualifier	M	an..3
+3836	Name component	C	an..70
+3839	Name component status, coded	C	an..3
+3841	Name component original representation, coded	C	an..3

**+C848 MEASUREMENT UNIT DETAILS**

Desc: To specify a measurement unit.

*6411	Measurement unit identification	C	an..17
1131	Code list qualifier	C	an..3
3055	Code list responsible agency, coded	C	an..3
+6410	Measurement unit	C	an..35

**+C851 SEGMENT GROUP USAGE DETAILS**

Desc: To describe the actual usage of a segment group in a message.

+9811	Segment group usage, coded	C	an..3
1131	Code list qualifier	C	an..3
3055	Codelist responsible agency, coded	C	an..3
+9810	Segment group usage	C	an..70

**+C971 STATUS**

Desc: To identify the status of a particular entity

+9502	Status code	C	an..3
1131	Code list qualifier	C	an..3
3055	Code list responsible agency coded	C	an..3
9503	Status	C	an..35

**+C972 AUTHORISATION**

Desc: Identify who/what authorised an action

+9504	Authorisation coded	C	an..3
1131	Code list qualifier	C	an..3
3055	Code list responsible agency coded	C	an..3
+9505	Authorisation	C	an..35

**+C973 HEALTH INFORMATION**

Desc: Specific health information, as identified by a qualifier.

+9507	Health information identification	C	an..10
1131	Code list qualifier	C	an..3
3055	Code list responsible agency, coded	C	an..3
+9508	Health	C	an..35

**+C975 TEST RESULT**

Desc: Identifies the result of a test.

+9511	Test result, coded	M	an..3
1131	Code list qualifier	C	an..3
3055	Code list responsible agency, coded	C	an..3

**+C976 SAMPLE IDENTIFIER**

Desc: A sample type and identification.

+9513	Sample type qualifier	M	an..3
+9514	Sample identification	M	an..17

**+C977 TEST INFORMATION**

Desc: To describe a test.

+9515	Test, coded	C	an..3
1131	Code list qualifier	C	an..3
3055	Code list responsible agency, coded	C	an..3
+9516	Test	C	an..35

## 7.2 Formal definition of data elements

1000	Document/message name
1001	Document/message name, coded
1004	Document/message number
1131	Code list qualifier
1153	Reference qualifier
1154	Reference number
1156	Line number
1225	Message function, coded
2005	Date/time/period qualifier
2379	Date/time/period format qualifier
2380	Date/time/period
3035	Party qualifier
3036	Party name
3039	Party id identification
3042	Street and number/PO box
3045	Party name format, coded
3055	Code list responsible agency, coded
3124	Name and address line
3164	City name
3207	Country, coded
3229	Country sub-entity identification
3251	Postcode identification
3453	Language, coded
+3797	Name type, coded
+3799	Name status, coded
+3835	Name component qualifier
+3836	Name component
+3839	Name component status, coded
+3841	Name component original representation, coded
4000	Reference version number
4343	Response type, coded
4440	Free text
4441	Free text, coded
4451	Text subject qualifier
4453	Text function, coded
6060	Quantity
6063	Quantity qualifier
+6410	Measurement unit
*6411	Measurement unit identification
7402	Identity number
7405	Identity number qualifier
+9502	Status, coded
+9503	Status
+9504	Authorisation, coded
+9505	Authorisation
+9506	Health information qualifier
+9507	Health information identification
+9508	Health
+9511	Test result, coded
+9512	Test result, text
+9513	Sample type qualifier

+9514 Sample identification  
+9515 Test, coded  
+9516 Test  
+9518 Episode status qualifier  
+9520 Test results qualifier  
+9810 Segment group usage  
+9811 Segment group usage, coded

Data element specifications

<b>1000</b>	<b>Document/message name</b>
Desc:	Plain language identifier specifying the function of a document/message.
Repr:	an..35
<b>1001</b>	<b>Document/message name, coded</b>
Desc:	Document identifier expressed in code.
Repr:	an..3
<b>1004</b>	<b>Document/message number</b>
Desc:	Reference number assigned to the document by the issuer.
Repr:	an..35
<b>1131</b>	<b>Code list qualifier</b>
Desc:	Identification of a code list.
Repr:	an..3
<b>1153</b>	<b>Reference qualifier</b>
Desc:	Code giving specific meaning to a reference segment or a reference number.
Repr:	an..3
<b>1154</b>	<b>Reference number</b>
Desc:	Identification number the nature and function of which can be qualified by an entry in data element 1153 Reference qualifier.
Repr:	an..35
<b>1156</b>	<b>Line number</b>
Desc:	Number of the line in the document /message referenced in 1154 Reference number.
Repr:	an..6
<b>1225</b>	<b>Message function, coded</b>
Desc:	Code indicating the function of the message.
Repr:	an..3
<b>2005</b>	<b>Date/time/period qualifier</b>
Desc:	Code giving specific meaning to a date, time or period.
Repr:	an..3
<b>2379</b>	<b>Date/time/period format qualifier</b>
Desc:	Specification of the representation of a date, time or of a period.
Repr:	an..3
<b>2380</b>	<b>Date/time/period</b>
Desc:	The value of a date, a date and time, a time or a period in a specified representation.
Repr:	an..35
<b>3035</b>	<b>Party qualifier</b>
Desc:	Code giving specific meaning to a party.
Repr:	an..3
<b>3036</b>	<b>Party name</b>
Desc:	Name of a party involved in a transaction.



Repr: an..35

**3039 Party id identification**

Desc: Code identifying a party involved in a transaction.

Repr: an..17

**3042 Street and number/PO box**

Desc: Street and number in plain language, or Post Office Box number.

Repr: an..35

**3045 Party name format, coded**

Desc: Specification of the representation of a party name

Repr: an..3

**3055 Code list responsible agency, coded**

Desc: Code identifying the agency responsible for a code list.

Repr: an..3

**3124 Name and address line**

Desc: Free form name and address description.

Repr: an..35

**3164 City name**

Desc: Name of a city (a town, a village) for addressing purposes.

Repr: an..35

**3207 Country, coded**

Desc: Name of a country or other geographical entity as specified in ISO 3166.

Repr: an..3

**3229 Country sub-entity identification**

Desc: Name of sub-entities (state,province) defined by appropriate governmental agencies, coded.

Repr: an..9

**3251 Postcode identification**

Desc: Code defining postal zones or addresses.

Repr: an..9

**3453 Language, coded**

Desc: Code of language (ISO 639-1988)

Repr: an..3

**+3797 Name type, coded**

Desc: Code for type of name such as official name, alias

Repr: an..3

- +3799 Name status, coded**  
Desc: To specify the status of a name (such as current name)  
Repr: an..3
- +3835 Name component qualifier**  
Desc: To indicate a part of the name such as family name or given name.  
Repr: an..3
- +3836 Name component**  
Desc: Part of party name such as family name or given name.  
Repr: an..70
- +3839 Name component status, coded**  
Desc: To specify the status of a name component.  
Repr: an..3
- +3841 Name component original representation, coded**  
Desc: To specify the alphabet originally used to represent the name.  
Repr: an..3
- 4000 Reference version number**  
Desc: To uniquely identify a reference by its revision number.  
Repr: an..35
- 4343 Response type, coded**  
Desc: Code specifying the type of response code required.  
Repr: an..3
- 4440 Free text**  
Desc: Free text field available to the message sender for information.  
Repr: an..70
- 4441 Free text, coded**  
Desc: Free text in coded form.  
Repr: an..3
- 4451 Text subject qualifier**  
Desc: Code specifying subject of a free text.  
Repr: an..3
- 4453 Text function, coded**  
Desc: Code specifying how to handle the text.  
Repr: an..3
- 6060 Quantity**  
Desc: Numeric value of a quantity.  
Repr: n..15

<b>6063</b>	<b>Quantity qualifier</b>
Desc:	Code giving specific meaning to a quantity
Repr:	an..3
<b>+6410</b>	<b>Measurement unit</b>
Desc:	Specification of unit as free text
Repr:	an..35
<b>*6411</b>	<b>Measure unit specifier</b>
Desc:	Specification of unit of measurement using code
Repr:	an..3
<b>7402</b>	<b>Identity number</b>
Desc:	A value given to an object for identification purposes.
Repr:	an..35
<b>7405</b>	<b>Identity number qualifier</b>
Desc:	Code specifying the type/source of identity number.
Repr:	an..3
<b>+9502</b>	<b>Status, coded</b>
Desc:	To identify the action on/status of a particular entity.
Repr:	an..3
<b>+9503</b>	<b>Status</b>
Desc:	Description of the status of a particular episode.
Repr:	an..35
<b>+9504</b>	<b>Authorisation, coded</b>
Desc:	Identify who/what authorised an action.
Repr:	an..3
<b>+9505</b>	<b>Authorisation</b>
Desc:	Specification of an authorisation as free text
Repr:	an..3
<b>+9506</b>	<b>Health information qualifier</b>
Desc:	Given specific meaning to an item of health information.
Repr:	an..3
<b>+9507</b>	<b>Health information identification</b>
Desc:	Item of information relating to health.
Repr:	an..10
<b>+9508</b>	<b>Health</b>
Desc:	Description of item relating to health.
Repr:	an..35

- +9511**      **Test result, coded**  
Desc:        To identify the result of a test.  
Repr:        an..3
- +9512**      **Test result, text**  
Desc:        To describe the results of a test.  
Repr:        an..35
- +9513**      **Sample type qualifier**  
Desc:        Specifies the type of sample.  
Repr:        an..3
- +9514**      **Sample identification**  
Desc:        To identify a sample.  
Repr:        n..17
- +9515**      **Test, coded**  
Desc:        To identify a test  
Repr:        an..3
- +9516**      **Test**  
Desc:        Description of a test  
Repr:        an..35
- +9518**      **Episode status qualifier**  
Desc:        Gives specific meaning to the status of an episode  
Repr:        an..3
- +9520**      **Test results qualifier**  
Desc:        Gives specific meaning to a test result.  
Repr:        an..3
- +9810**      **Segment group usage**  
Desc:        To describe the actual usage of a segment group in a message.  
Repr:        an..70
- +9811**      **Segment group usage, coded**  
Desc:        To specify the usage of a segment group in a message.  
Repr:        an..3

**7.3 Data element code values****1131 Code list qualifier**

+900 National GP  
 +954 FHSA  
 +959 Pathology laboratory details  
 ZZZ Mutually defined

**1153 Reference qualifier**

TN Transaction reference number

**1225 Message function, coded**

+7 FHSA/FHSA deducted details transfer

**2005 Date/time/period qualifier**

137 Document/message date/time  
 329 Birth date/time  
 +966 Date of recall  
 +968 Notification date  
 +969 Invitation date  
 +970 Prior notification date

**2379 Date/time/period format qualifier**

2 DDMMYY  
 102 CCYYMMDD  
 203 CCYYMMDDHHMM  
 610 CCYYMM  
 +950 CYYMMDD

**3035 Party qualifier**

+FHS FHS cipher (receiving FHSA)  
 +GP Current GP  
 +PAT Patient  
 +PER Person  
 +PLB Patient's laboratory details  
 +SCF Screening FHSA  
 +SFH Sending FHSA  
 +FCH FHSA where consent held

**3835 Name component qualifier**

+FO	First given name
+SU	Family name
+TI	Title
+EN	Extra name
+MI	Middle name

**4451 Text subject qualifier**

+CYN	Cytology notes
+GFT	GP free text
+RRT	Recall related text
+TCT	Comments relating to the test

**6063 Quantity qualifier**

+956	Size of record
+957	Number of tests
+958	Number of FHSA's
+959	Number of births
+960	Number of miscarriages

**7405 Identity number, coded**

+OPI	Official patient identification
------	---------------------------------

**+9502 Status, coded**

+A	Actual recall
+C	Ceased recall
+F	First non-responder
+G	GP informed
+H	Final non-responder
+I	Inadequate recall
+L	First recall   Logged slide
+N	Routine recall   GP not informed
+P	Patient informed
+R	Repeat advised recall
+S	suspended recall
+Z	No current recall   Patient from outside FHSA
+1	No action
+2	Second letter
+”-”	No previous recall status/type

**+9506 Health information qualifier**

+CAC	Cytology action codes
+CMK	Correspondence marker
+CON	Condition
+ETP	Excluded from target payments
+GPP	GP parameter
+INM	Infection marker
+PDM	Positive doubtful marker
+RPM	Repeat months
+SLP	Suspend list parameter
+SRC	Source code
+TIN	Time interval
+RDM	Redirect Marker
+HPV	Human Papilloma Virus Marker

**+9507 Health information identification**

+G	Valid GP
+H	Valid sender
+N	No   Invalidated NHS GP
+X	Invalid sender
+Y	Yes
+0	Negative
+1	Trichomonas
+2	Candida
+3	Wart virus
+4	Herpes
+5	Actinomyces
+6	Other
+9	Positive
+”--”	No repeat months
+”-----”	No time interval

**+9511 Test results, coded**

+1	Inadequate
+2	Negative
+3	Mild dyskaryosis
+4	Severe dyskaryosis
+5	Severe dyskaryosis/invasive varcinoma
+6	?Glandular Neoplasia
+7	Moderate dyskaryosis
+8	Borderline changes
+r	Repeat advised
+s	Suspend
+B	Borderline
+M	Mild dyskaryosis
+N	Negative

**+9515 Test results, coded**

+(A,...,H) Negative action codes  
+(I,J,K) Inadequate actions codes  
+(P,Q,S) Suspended action codes  
+(R,W,X,Y) Repeat advised action codes  
+Z Ceased action codes

**+9518 Episode status qualifier**

+CRS Call/recall status  
+RST Recall state  
+RTP Recall type

**+9520 Test results qualifier**

+RCD Result code

**+9811 Segment group usage, coded**

+1 Segment group 1  
+2 Segment group 2  
+3 Segment group 3  
+4 Segment group 4  
+5 Segment group 5





*EDIFACT MESSAGE DESIGN  
AND  
IMPLEMENTATION GUIDELINES  
REGIS:0:4:FH:PH*

*Version Number: 1.6  
Issue Date: 15 May 1996*

Message Type : REGIS  
Version : 0  
Release : 4  
Controlling Agency : FH  
Assoc Assigned Code : PH

© Crown Copyright 2016

NHS Digital  
Hexagon House  
P.O. Box 78  
Pynes Hill  
Rydon Lane  
Exeter  
EX2 5SE

Telephone:  
Exeter (0392) 78315  
Fax (0392) 410417

*AMENDMENT HISTORY*

<u>Version:</u>	<u>Date Issued:</u>	<u>Brief Summary of Change:</u>	<u>Owner's Signature:</u>
1.0	08/94	First published version	
1.1	30/08/94	Change to order of segments	
1.2	15/09/94	Various changes in response to QR	
1.3	29/09/94	Include example messages	
1.4	04/10/94	Add explanation for use of PAD segment in the event of missing NHS number	
1.5	27.10.94	Increase repeats for group 1 HEA segment, and add Association Assigned Code	
1.6	15.05.96	Patient Address moved in NAD to City Name	

*DISTRIBUTION LIST*

**Owner:**      *Alan Scott*

	<u>Name:</u>	<u>Title:</u>
1.	Alan Scott	MediATOR Project Manager
2.	Malcolm Gray	Preventative Healthcare Section
3.		
4.		
5.		
6.		
7.		
8.		
9.		
10.		

This is a Controlled Document. On receipt of a new version, destroy all previous versions.

## CONTENTS

1. Introduction
2. Scope
  - 2.1 Functional definition
  - 2.2 Field of application
  - 2.3 Principles
3. References
4. Terms and definitions
5. Message definition
  - 5.1 Data segment clarification
    - 5.1.1 Heading section
    - 5.1.2 Detail section
    - 5.1.3 Summary section
  - 5.2 Message structure
    - 5.2.1 Branching diagram
    - 5.2.2 Segment table
6. Directories
  - 6.1 Data segment index (In order of appearance in message)
    - 6.1.1 Data segment definitions
  - 6.2 Composite data element index (Numeric sequence)
    - 6.2.1 Composite data element definitions
  - 6.3 Simple data element index (Numeric sequence)
    - 6.3.1 Simple data element definitions
  - 6.4 Code lists
7. Examples

## 1. Introduction

This specification provides the definition of the BSS/Cytology Message to be used in Electronic Data Interchange (EDI) between partners involved in the FHSA/SO Registration transactions and FHSA/Cytology Laboratory Links.

## 2 Scope

### 2.1 Functional definition

Messages are sent between health bodies for the transfer of patient registration details and between health bodies for the transfer of patient identity data.

### 2.2 Field of application

This message may be used by all FHSAs and by other health bodies with EDIFACT capability.

### 2.3 Principles

The overall structure of the message is one message covering each of the following applications :

- i) one or more patients uniquely identified at the FHSA as generating amended registration data, satisfying a PID request, or originating from an invitation list.
- ii) a request from a health body for one or more specific patients or a request for a group of patients.

## 3. References (Standards)

This message conforms to the following standards (please refer to these standards) :

Syntax	ISO 9735	Electronic Data Interchange for Administration, Commerce and Transport (EDIFACT) Application Level Syntax Rules.
Data Elements	ISO 7232	UN Trade Data Elements (UNTDDED)

The UN/ECE have combined the required data elements from ISO 7232 with the associated segments, composite data elements and codes into a set of directories called the UNTDID. This directory is now revised each year and the 90.2 version has been used in this message definition.

Segments	EDSD	UN/EDIFACT Data Segments Directory.
Composite Data Elements	EDCD	UN/EDIFACT Composite Data Elements Directory.
Data Elements	EDED	UN/EDIFACT Data Elements Directory.
Code Lists	EDCL	UN/EDIFACT Code Lists.

These directories are taken from release 90.2.

#### **4. Terms and definitions**

See UNTDID, Part 4, Section 2.5, UN/ECE UNSM General introduction, Section 1 or the SITPRO EDIFACT service, volume 3, data definitions.

## 5. Message definition

### 5.1 Data segment clarification

This section should be read in conjunction with the Branching diagram and the Segment table which indicate mandatory, conditional and repeating requirements.

Segments additional to the 90.2 directory are marked with "+". Segments modified from the 90.2 directory are marked with "\*".

#### 5.1.1 Heading section

Information to be provided in the Heading section:

UNH, Message header

A service segment starting and uniquely identifying a message. The message type for this message is REGIS.

BGM, Beginning of message

A segment to indicate the beginning of a message and to transmit the transfer number, job type and transmission date and time.

+NHS, National Health Body

A segment referencing a health organisation such as an FHSA, SO, GP, DHA or a Laboratory.

RFF, Reference

A segment containing a file reference number.

+QTY, Quantity

A segment referencing the total number of patients and a patient age range.

+HEA, Health Information

A segment referencing single items of health information.

FTX, Free Text

A segment indicating the status of a PID request.

### 5.1.2 Detail section

Information to be provided in the Detail section:

Segment group 1: PAD-NHS-NAD-DTM-HEA-FTX

A group of segments identifying patient registration details to be amended, patients on whom data is requested and patient details in response to a request.

+PAD, Patient Details

A segment containing patient details.

+NHS, National Health Body

A segment referencing a Health organisation such as an FHSA, SO, GP or DHA.

+NAD, Name and Address

A segment containing patient and GP address details.

DTM, Date/Time/Period

Contains additional dates relevant to a given patient such as date of change.

+HEA, Health Information

A segment referencing single items of patient health information.

FTX, Free Text

A segment indicating the method of matching a patient to a request.

### 5.1.3 Summary section

Information to be provided in the summary section

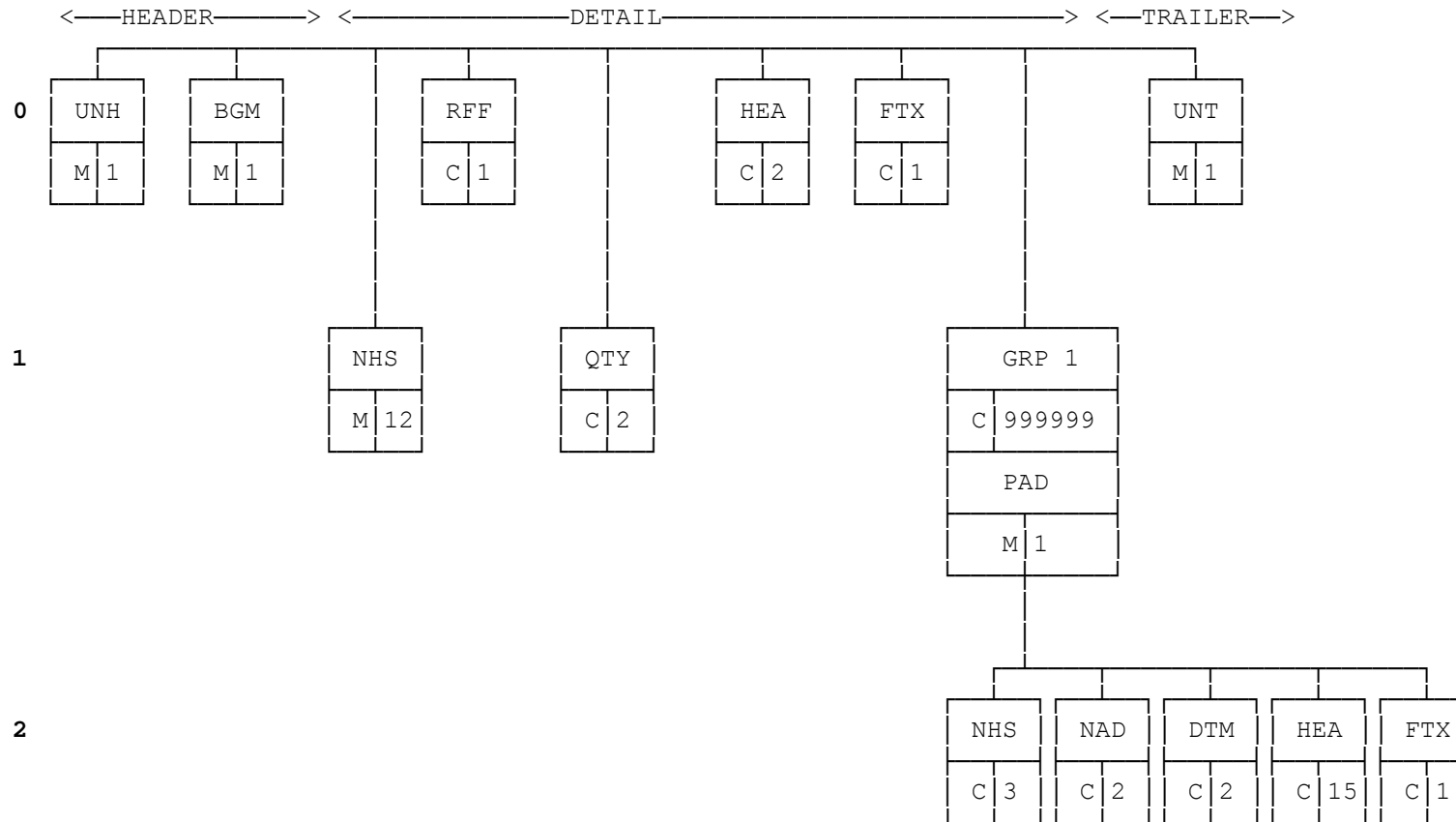
UNT, Message trailer

A service segment ending in a message, giving the total number of segments in the message and the message reference number of the message.

## 5.2 Message structure

### 5.2.1 Branching diagram

Level





## 5.2.2 Segment table

<b>UNH</b>	Message Header	M	1	
<b>BGM</b>	Beginning of Message Reference to job code, translation date & time	M	1	
<b>+NHS</b>	National Health body FHSA, SO, GP, DHA and Laboratory coded details	M	12	
<b>RFF</b>	Reference Reference number	C	1	
<b>+QTY</b>	Quantity Patient total & request age range	C	2	
<b>+HEA</b>	Health Information Single items of health information	C	2	
<b>FTX</b>	Free Text Accepted/Rejected message	C	1	
Segment Group 1				C 999999
<b>+PAD</b>	Patient Details Patient NHS number, name, date of birth	M	1	
<b>+NHS</b>	National Health Body GP, SO, FHSA and DHA details	C	3	
<b>NAD</b>	Name and Address Patient and GP address	C	2	
<b>DTM</b>	Date/Time/Period All dates except date of birth	C	2	
<b>+HEA</b>	Health Information Single items of patient health information	C	15	
<b>FTX</b>	Free Text Matching code and text	C	1	
<b>UNT</b>	Message trailer	M	1	

## 6. Directories

### 6.1 Data segment index (In order of appearance in message)

The following list of segments without any sign in front are included in the 90.2 TRIAL directory. Segments with a "+" mark additions specified in the message design.

UNH	MESSAGE HEADER
BGM	BEGINNING OF MESSAGE
+NHS	HEALTH BODY
RFF	REFERENCES
+QTY	QUANTITY
+HEA	HEALTH INFORMATION
FTX	FREE TEXT
+PAD	PATIENT DETAILS
+NHS	HEALTH BODY
NAD	NAME AND ADDRESS
DTM	DATE/TIME/PERIOD
+HEA	HEALTH INFORMATION
FTX	FREE TEXT
UNT	MESSAGE TRAILER

#### 6.1.1 Data segment definitions

The full definitions of the unmarked segments are to be found in UNTDID part 5, chapter 3, UN/EDIFACT Data Segment Directory (EDSD).

**N.B.** For elements defined as being at conditional status, the following additional codes are used to clarify the requirement for this implementation:

R = Required (ie. mandatory) for this implementation

N = Not used by this implementation

**UNH MESSAGE HEADER**

Function: To head, identify and specify a message.

0062	MESSAGE REFERENCE NUMBER - Message Sequence Number <sup>1</sup>	M	an..14
S009	MESSAGE IDENTIFIER	M	
0065	Message type identifier - REGIS	M	an..6
0052	Message type version number - 0	M	an..3
0054	Message type release number - 4	M	an..3
0051	Controlling agency - FH	M	an..2
0057	Association assigned code - PH	R	an..6
0068	COMMON ACCESS REFERENCE	N	an..35
S010	STATUS OF THE TRANSFER	N	
0070	Sequence message transfer number	M	n..2
0073	First/last sequence message transfer identification	C	a1

**NOTES:**

1 Sequential, 00000001 to 99999999.

**BGM BEGINNING OF MESSAGE**

Function: To indicate the beginning of a message and to transmit job code and transaction date and time.

C002	DOCUMENT/MESSAGE NAME	N	
1001	Document/message name, coded	C	an..3
1131	Code list qualifier	C	an..3
3055	Code list responsible agency, coded	C	an..3
4774	Textual equivalent of the associated coded representation	C	an..35
1004	DOCUMENT/MESSAGE NUMBER - Transfer number	C	an..35
C507	DATE/TIME/PERIOD	R	
2005	Date/Time/Period qualifier - 243 = Transmission of document date	M	an..3
2782	Date/Time/Period - Relevant date	M	an..35
2781	Date/Time/Period format qualifier - 204 = CCYYMMDDHHMMSS	M	an..3
	CC = Century, YY = Year, MM = Month, DD = Day HH = Hour, MM = Minute, SS = Second		
1225	MESSAGE FUNCTION, CODED - 232 = BSS Registration Changes - 142 = PID Data - 143 = Individual PID Request - 144 = Group PID Request	R	an..3
C506	REFERENCE	N	
1153	Reference qualifier	M	an..3
1154	Reference number	C	an..35
1156	Line number	C	an..6
C507	DATE/TIME/PERIOD	N	
2005	Date/Time/Period qualifier	M	an..3
2782	Date/Time/Period	M	an..35
2781	Date/Time/Period format qualifier	M	an..3
4343	RESPONSE TYPE, CODED	N	an..3

**+NHS HEALTH BODY**

Function: To identify a body within a Health organisation.

C082	PARTY IDENTIFICATION DETAILS	R	
3039	Party Id identification	M	an..17
	- GP code allocated by NHS		
	- Cipher for sending FHSA		
	- Screening Office code		
	- Laboratory code allocated by NHS		
	- DHA code allocated by NHS		
1131	Code list qualifier	R	an..3
	- 815 = GP National Code NHS allocated		
	- 819 = Family Health Services Authority (2, 3 char) code		
	- 835 = Screening Office Code		
	- 837 = Cytology laboratory code NHS allocated		
	- 869 = DHA national code		
3055	Code list responsible agency, coded	N	an..3
4774	Textual equivalent of the associated coded representation	N	an..35
C082	PARTY IDENTIFICATION DETAILS	N	
3039	Party Id identification	M	an..17
1131	Code list qualifier	C	an..3
3055	Code list responsible agency, coded	C	an..3
4774	Textual equivalent of the associated coded representation	N	an..35

**NOTES:**

Only the first composite data element in this segment will be used.

**RFF REFERENCE**

Function: To specify the file reference number in a laboratory transfer.

C506	REFERENCE	M	
1153	Reference qualifier - ORN = originating system reference number	M	an..3
1154	Reference number - file reference number	C	an..35
1156	Line number	N	an..6
C507	DATE/TIME/PERIOD	N	
2005	Date/time/period qualifier	M	an..3
2782	Date/time/period	M	an..35
2781	Date/time/period format qualifier	M	an..3

**+QTY QUANTITY**

Function: To specify pertinent quantities.

C186	QUANTITY INFORMATION	M	
6063	Quantity qualifier - 835 = Total number of patients - 836 = Age range from - 837 = Age range to	M	an..3
6060	Quantity - value depending on qualifier	M	n..15
6411	Measure unit specifier	N	an..3

**+HEA HEALTH INFORMATION**

Function: To provide specific health information.

C992 HEALTH INFORMATION		M	
9815	Health Information qualifier	M	an..3
	- FTP = File type		
	- LOI = Laboratory only indicator		
	- SHF = Screening history flag		
9816	Health information, coded	R	an..17
	- health item depending on qualifier		
4774	Textual equivalent of the associated coded representation	N	an..35

**FTX FREE TEXT**

Function: To provide free form or coded text information.

4451	TEXT SUBJECT QUALIFIER	M	an..3
	- PRS = PID Request Status		
4453	TEXT FUNCTION, CODED	N	an..3
C107	TEXT REFERENCE	C	
4441	Free text, coded	M	an..3
	- A = Accepted		
	- R = Rejected		
1131	Code list qualifier	N	an..3
3055	Code list responsible agency, coded	N	an..35
C108	TEXT LITERAL	C	
4440	Free text	M	an..70
	- Request message text		
4440	Free text	N	an..70
4440	Free text	N	an..70
4440	Free text	N	an..70
4440	Free text	N	an..70
3701	LANGUAGE, CODED	N	an..3



**+PAD PATIENT DETAILS**

Function: To identify a patient by a coded information scheme, together with structured name and birth details.

C930	PATIENT IDENTIFICATION	C	
3806	Patient identification, coded	M	an..17
	- NHS number, current <sup>1</sup>		
1131	Code list qualifier	C	an..3
	- 801 = patient number:		
	National NHSCR allocated		
	- 813 = Temporary patient NHS number:		
	FHSA allocated		
3055	Code list responsible agency, coded	N	an..3
C930	PATIENT IDENTIFICATION	C	
3806	Patient identification, coded	M	an..17
	- NHS number, previous <sup>1</sup>		
1131	Code list qualifier	C	an..3
	- 801 = patient number:		
	National NHSCR allocated		
	- 813 = Temporary patient NHS number:		
	FHSA allocated		
3055	Code list responsible agency, coded	N	an..3
C930	PATIENT IDENTIFICATION	C	
3806	Patient identification, coded	M	an..17
	- Laboratory identifier		
1131	Code list qualifier	C	an..3
	- 870 = laboratory identifier		
3055	Code list responsible agency, coded	N	an..3
3802	PATIENT FAMILY NAME	C	an..35
	- patient's surname		
3804	PATIENT PREVIOUS FAMILY NAME	C	an..35
	- patient's previous surname		
C946	PATIENT FORENAME	C	
3820	Patient calling name	N	an..22
3818	Patient forename	C	an..22
	- patient's 1st forename		
3818	Patient forename	C	an..22
	- patient's other forenames		
3818	Patient forename	N	an..22
3818	Patient forename	N	an..22

C956	PATIENT PREVIOUS FORENAME		N	
3820	Patient calling name		C	an..22
3818	Patient forename		C	an..22
3818	Patient forename		C	an..22
3818	Patient forename		C	an..22
3818	Patient forename		C	an..22
3824	PATIENT NAME TITLE		C	an..10
	- Patient's title			
C936	PATIENT DETAILS		C	
9801	Sex, Coded		C	n1
	- 1 = Male			
	- 2 = Female			
	- 4 = Indeterminate			
9803	Ethnic origin		N	an..10
6008	Height		N	n..15
6150	Weight		N	n..10
C507	DATE/TIME/PERIOD		C	
2005	Date/Time/Period qualifier		M	an..3
	- 800 = exact date of birth			
2782	Date/Time/Period		M	an..35
	- date			
2781	Date/Time/Period format qualifier		M	an..3
	- 102 = CCYYMMDD			
	CC = Century, YY = Year, MM = Month, DD = Day			
C517	LOCATION IDENTIFICATION		N	
3227	Place/Location qualifier		M	an..3
3225	Place/Location, coded	C		an..25
1131	Code list qualifier		C	an..3
3055	Code list responsible agency, coded		C	an..3
4774	Textual equivalent of the associated coded representation		C	an..35
3439	Sub-location identification		C	an..17
3225	Place/Location, coded	C		an..25
1131	Code list qualifier		C	an..3
3055	Code list responsible agency, coded		C	an..3
4774	Textual equivalent of the associated coded representation		C	an..35
9817	PATIENT EXTRA NAME		C	an..35
	- alternative surname			

**NOTES:**

- 1 A temporary NHS number is prefixed with a '?'. In the event that an NHS number sent from a FHSA is null, this element will be sent as '?'.

**+NHS HEALTH BODY**

Function: To identify a body within a Health organisation.

C082	PARTY IDENTIFICATION DETAILS	C	
3039	Party Id identification	M	an..17
	- DHA code allocated by NHS		
	- GP local code allocated by FHSA		
	- GP code allocated by NHS		
	- New FHSA Cipher		
	- Screening Office code		
1131	Code list qualifier	R	an..3
	- 869 = DHA national code		
	- 814 = GP local code : local code allocated by FHSA		
	- 815 = GP National code: NHS allocated		
	- 819 = Family Health Services Authority (2, 3 char) code		
	- 835 = Screening Office code		
3055	Code list responsible agency, coded	N	an..3
4774	Textual equivalent of the associated coded representation	N	an..35
C082	PARTY IDENTIFICATION DETAILS	N	
3039	Party Id identification	M	an..17
1131	Code list qualifier	R	an..3
3055	Code list responsible agency, coded	N	an..3
4774	Textual equivalent of the associated coded representation	N	an..35

**NOTES:**

Only the first composite data element in the segment will be used.

**NAD NAME AND ADDRESS**

Function: To provide the address details for a patient and a patient's GP.

3035	PARTY QUALIFIER	M	an..3
	- HP = Health patient		
	- RGP = Patient's registered GP		
C082	PARTY IDENTIFICATION DETAILS	N	
3039	Party Id identification	M	an..17
1131	Code list qualifier	C	an..3
3055	Code list responsible agency, coded	C	an..3
4774	Textual equivalent of the associated coded representation	C	an..35
C058	NAME AND ADDRESS	C	
3124	Name and address line 1	C	an..35
	- 1st line of patient's address		
	- 1st line of GP's address		
3124	Name and address line 2	C	an..35
	- 2nd line of patient's address		
	- 2nd line of GP's address		
3124	Name and address line 3	C	an..35
	- 3rd line of patient's address		
	- 3rd line of GP's address		
3124	Name and address line 4	C	an..35
	- 4th line of patient's address		
	- 4th line of GP's address		
3124	Name and address line 5	C	an..35
	- 5th line of patient's address		
C080	PARTY NAME	C	
3036	Party name	M	an..35
	- GP surname		
3036	Party name	C	an..35
	- GP initials		
3036	Party name	N	an..35
C059	STREET	N	
3042	Street and number/P.O Box	M	an..35
3042	Street and number/P.O Box	C	an..35
3042	Street and number/P.O Box	C	an..35
3164	CITY NAME	C	an..35
	- Patient address code		
3229	COUNTRY SUB-ENTITY IDENTIFICATION	N	an..9

3251	POSTCODE IDENTIFICATION - Patient's post code - GP's post code	C	an..9
3207	COUNTRY, CODED	N	an..3

**DTM DATE/TIME/PERIOD**

Function: To specify date, time, period.

C507	DATE/TIME/PERIOD	M	
2005	Date/time/period qualifier	M	an..3
	- 830 = Date of registration amendment		
	- 801 = Previous date of birth		
2782	Date/time/period	M	an..35
	- Relevant date		
2781	Date/time/period format qualifier	M	an..3
	- 102 = CCYYMMDD		

CC = Century, YY = Year, MM = Month, DD = Day

**+HEA HEALTH INFORMATION**

Function: To provide specific health information.

C992 HEALTH INFORMATION		M	
9815	Health Information qualifier	M	an..3
	- PSH = Patient screening history flag		
	- RCT = Registration change type		
	- RCS = Registration change source		
	- SHF = Screening history flag		
	- PTI = PID transfer indicator		
	- LAI = Latest address indicator		
9816	Health information, coded	R	an..17
	- health item depending on qualifier		
4774	Textual equivalent of the associated coded representation	N	an..35

**FTX FREE TEXT**

Function: To provide free form or coded text information.

4451	TEXT SUBJECT QUALIFIER - PMM = PID Matching Method	M	an..3
4453	TEXT FUNCTION, CODED	N	an..3
C107	TEXT REFERENCE	C	
4441	Free text, coded - matching code	M	an..3
1131	Code list qualifier	N	an..3
3055	Code list responsible agency, coded	N	an..35
C108	TEXT LITERAL	C	
4440	Free text - matching text	M	an..70
4440	Free text	N	an..70
4440	Free text	N	an..70
4440	Free text	N	an..70
4440	Free text	N	an..70
3701	LANGUAGE, CODED	N	an..3



**UNT MESSAGE TRAILER**

Function: To end and check the completeness of a message.

0074	NUMBER OF SEGMENTS IN A MESSAGE - number of segments	M	n..6
0062	MESSAGE REFERENCE NUMBER - Message Sequence Number	M	an..14

## 6.2 Composite data element index (Numeric sequence)

This following list of composite data elements without any sign in front are included in the 90.2 TRIAL directory. Composite data elements with a "+" mark additions to the latest TRIAL directory.

C002	DOCUMENT/MESSAGE NAME
C058	NAME AND ADDRESS
C059	STREET
C080	PARTY NAME
C082	PARTY IDENTIFICATION DETAILS
C107	TEXT REFERENCE
C108	TEXT LITERAL
C186	QUANTITY INFORMATION
C506	REFERENCE
C507	DATE/TIME/PERIOD
C517	LOCATION IDENTIFICATION
+C930	PATIENT IDENTIFICATION
+C936	PATIENT DETAILS
+C946	PATIENT FORENAME
+C956	PATIENT PREVIOUS FORENAME
+C992	HEALTH INFORMATION
S009	MESSAGE IDENTIFIER
S010	STATUS OF TRANSFER

### 6.2.1 Composite data element definitions

The full definitions of the composite data elements are to be found in UNTDID part 5, chapter 3, UN/EDIFACT Data Segment Directory (EDCD).

#### **C002 DOCUMENT/MESSAGE NAME**

Function: Identification of a type of document/message by code or name. Code preferred.

1001	Document/message name, coded	C	an..3
1131	Code list qualifier	C	an..3
3055	Code list responsible agency, coded	C	an..3
4774	Textual equivalent of the associated coded representation	C	an..35

#### **C058 NAME AND ADDRESS**

Function: Unstructured name and address: one to five lines The address is structured within the context of this message.

3124	Name and address line	C	an..35
3124	Name and address line	C	an..35
3124	Name and address line	C	an..35
3124	Name and address line	C	an..35
3124	Name and address line	C	an..35

**C059 STREET**

Function: Street address and/or PO Box number in a structured address: one to three lines.

3042	Street and number/PO Box	M	an..35
3042	Street and number/PO Box	C	an..35
3042	Street and number/PO Box	C	an..35

**C080 PARTY NAME**

Function: Identification of a transaction party by name, one to three lines.

3036	Party name	M	an..35
3036	Party name	C	an..35
3036	Party name	C	an..35

**C082 PARTY IDENTIFICATION DETAILS**

Function: Identification of a transaction party by code.

3039	Party Id identification	M	an..17
1131	Code list qualifier	C	an..3
3055	Code list responsible agency, coded	C	an..3
4774	Textual equivalent of the associated coded representation	C	an..35

**C107 TEXT REFERENCE**

Function: Coded reference to a standard text and its source.

4441	Free text, coded	M	an..3
1131	Code list qualifier	C	an..3
3055	Code list responsible agency, coded	C	an..35

**C108 TEXT LITERAL**

Function: Free text; one to five lines.

4440	Free text	M	an..70
4440	Free text	C	an..70
4440	Free text	C	an..70
4440	Free text	C	an..70
4440	Free text	C	an..70

**C186 QUANTITY INFORMATION**

Function: To specify pertinent quantities.

6063	Quantity qualifier	M	an..3
6060	Quantity	M	n..15
6411	Measure unit specifier	C	an..3

**C506 REFERENCES**

Function: Identification of a reference.

1153	Reference qualifier	M	an..3
1154	Reference number	C	an..35
1156	Line number	C	an..6

**C507 DATE/TIME/PERIOD**

Function: Date and/or time relevant to the specified date/time type.

2005	Date/time/period qualifier	M	an..3
2782	Date/time/period	M	an..35
2781	Date/time/period format qualifier	M	an..3

**C517 LOCATION IDENTIFICATION**

Function: Identification of a location by code or name and sub-location where relevant. Code preferred.

3227	Place/location qualifier	M	an..3
3225	Place/location identification	C	an..25
1131	Code list qualifier	C	an..3
3055	Code list responsible agency, coded	C	an..3
4774	Textual equivalent of the associated coded representation	C	an..35
3439	Sub-location identification	C	an..17
1131	Code list qualifier	C	an..3
3055	Code list responsible agency, coded	C	an..3
4774	Textual equivalent of the associated coded representation	C	an..35

**+C930 PATIENT IDENTIFICATION**

Function: Patient identification and further patient details.

3806	Patient identification, coded	M	an..17
1131	Code list qualifier	C	an..3
3055	Code list responsible agency, coded	C	an..3

**+C936 PATIENT DETAILS**

Function: Identify further patient details.

9801	Sex, Coded	C	n1
9803	Ethnic origin	C	an..10
6008	Height	C	n..15
6150	Weight	C	n..15

**+C946 PATIENT FORENAME**

Function: To identify patient forename(s) and calling name.

3820	Patient calling name	C	an..22
3818	Patient forename	C	an..22
3818	Patient forename	C	an..22
3818	Patient forename	C	an..22
3818	Patient forename	C	an..22

**+C956 PATIENT PREVIOUS FORENAME**

Function: To identify patient previous forename(s) and calling name.

3820	Patient calling name	C	an..22
3818	Patient forename	C	an..22
3818	Patient forename	C	an..22
3818	Patient forename	C	an..22
3818	Patient forename	C	an..22

**+C992 HEALTH INFORMATION**

Function: To provide specific health information.

9815	Health Information qualifier	M	an..3
9816	Health information, coded	C	an..17
4774	Textual equivalent of the associated coded representation	C	an..35

**S009 MESSAGE IDENTIFIER**

Function: Identification of the type, version etc. of the message being interchanged.

0065	Message type identifier	M	an..6
0052	Message type version number	M	an..3
0054	Message type release number	M	an..3
0051	Controlling agency	M	an..2
0057	Association assigned code	C	an..6

**S010 STATUS OF TRANSFER**

Function: Statement that the message is one in a sequence of transfers relating to the same topic.

0070	Sequence message transfer number	M	n..2
0073	First/last sequence message transfer identification	C	a1

### 6.3 Simple data element index (Numeric sequence)

This following list of data elements without any sign in front are included in the latest TRIAL directory. Data Elements with a "+" mark additions to the 90.2 TRIAL directory.

#### 6.3.1 Simple data element definitions

The full definitions of the data elements are to be found in UNTDID part 5, chapter 3, UN/EDIFACT Data Segment Directory (EDED).

0051	CONTROLLING AGENCY
0052	MESSAGE TYPE VERSION NUMBER
0054	MESSAGE TYPE RELEASE NUMBER
0057	ASSOCIATION ASSIGNED CODE
0062	MESSAGE REFERENCE NUMBER
0065	MESSAGE TYPE IDENTIFIER
0068	COMMON ACCESS REFERENCE
0070	SEQUENCE MESSAGE TRANSFER NUMBER
0073	FIRST/LAST SEQUENCE MESSAGE TRANSFER INDICATION
0074	NUMBER OF SEGMENTS IN A MESSAGE
1001	DOCUMENT/MESSAGE NAME, CODED
1004	DOCUMENT/MESSAGE NUMBER
1131	CODE LIST QUALIFIER
1153	REFERENCE QUALIFIER
1154	REFERENCE NUMBER
1156	LINE NUMBER
1225	MESSAGE FUNCTION, CODED
2005	DATE/TIME/PERIOD QUALIFIER
2781	DATE/TIME/PERIOD FORMAT QUALIFIER
2782	DATE/TIME/PERIOD
3035	PARTY QUALIFIER
3036	PARTY NAME
3039	PARTY ID IDENTIFICATION
3042	STREET AND NUMBER/PO BOX
3055	CODE LIST RESPONSIBLE AGENCY, CODED
3124	NAME AND ADDRESS
3164	CITY NAME
3207	COUNTRY, CODED
3225	PLACE/LOCATION IDENTIFICATION
3227	PLACE/LOCATION QUALIFIER
3229	COUNTRY SUB-ENTITY IDENTIFICATION
3251	POSTCODE IDENTIFICATION
3439	SUB-LOCATION IDENTIFICATION
3701	LANGUAGE, CODED
+3802	PATIENT FAMILY NAME
+3804	PATIENT PREVIOUS FAMILY NAME
+3806	PATIENT IDENTIFICATION, CODED
+3818	PATIENT FORENAME
+3820	PATIENT CALLING NAME
+3824	PATIENT NAME TITLE
4343	RESPONSE TYPE, CODED
4440	FREE TEXT
4441	FREE TEXT, CODED
4451	TEXT SUBJECT QUALIFIER

4453 TEXT FUNCTION, CODED  
4774 TEXTUAL EQUIVALENT OF THE ASSOCIATED CODED REPR.  
6008 HEIGHT  
6060 QUANTITY  
6063 QUANTITY QUALIFIER  
6150 WEIGHT  
6411 MEASURE UNIT SPECIFIER  
+9801 SEX  
+9803 ETHNIC ORIGIN  
+9815 HEALTH INFORMATION QUALIFIER  
+9816 HEALTH INFORMATION CODED  
+9817 PATIENT EXTRA NAME

### **0051 CONTROLLING AGENCY**

Function: Code identifying the agency controlling the specification, maintenance and publication of the message type.  
Repr: an..2 Min: 1 Max: 2 Datatype: id

### **0052 MESSAGE TYPE VERSION NUMBER**

Function: Version number of a message type.  
Repr: an..3 Min: 1 Max: 3 Datatype: an

### **0054 MESSAGE TYPE RELEASE NUMBER**

Function: Message type release number.  
Repr: an..3 Min: 1 Max: 3 Datatype: an

### **0057 ASSOCIATION ASSIGNED CODE**

Function: Code, assigned by the association responsible for the design and maintenance of the message type concerned, which further identifies the message.  
Repr: an..6 Min: 1 Max: 6 Datatype: id

### **0062 MESSAGE REFERENCE NUMBER**

Function: Unique message reference assigned by the sender.  
Repr: an..14 Min: 1 Max: 14 Datatype: an

### **0065 MESSAGE TYPE IDENTIFIER**

Function: Code identifying a type of message and assigned by its controlling agency.  
Repr: an..6 Min: 1 Max: 6 Datatype: id

### **0068 COMMON ACCESS REFERENCE**

Function: Reference serving as a key to relate all subsequent transfers of data to the same business case or file.  
Repr: an..35 Min: 1 Max: 35 Datatype: an

**0070 SEQUENCE MESSAGE TRANSFER NUMBER**

Function: Number assigned by the sender indicating that the message is an addition or change of a previously sent message relating to the same topic.  
Repr: n..2 Min: 1 Max: 2 Datatype: n



**0073 FIRST/LAST SEQUENCE MESSAGE TRANSFER INDICATION**

Function: Indication used for the first and last message in a sequence of the same type of message relating to the same topic.

Repr: a1 Min: 1 Max: 1 Datatype: id

**0074 NUMBER OF SEGMENTS IN A MESSAGE**

Function: Control count of number of segments in a message.

Repr: n..6 Min: 1 Max: 6 Datatype: n

**1001 DOCUMENT/MESSAGE NAME, CODED**

Function: Document identifier expressed in code.

Repr: an..3 Min: 1 Max: 3 Datatype: id

**1004 DOCUMENT/MESSAGE NUMBER**

Function: Reference number assigned to the document by the issuer.

Repr: an..35 Min: 1 Max: 35 Datatype: an

**1131 CODE LIST QUALIFIER**

Function: Identification of a code list.

Repr: an..3 Min: 1 Max: 3 Datatype: id

**1153 REFERENCE QUALIFIER**

Function: Code giving specific meaning to a reference segment or a reference number.

Repr: an..3 Min: 1 Max: 3 Datatype: id

**1154 REFERENCE NUMBER**

Function: Identification number the nature and function of which can be qualified by and entry in data element 1153 Reference qualifier.

Repr: an..35 Min: 1 Max: 35 Datatype: an

**1156 LINE NUMBER**

Function: Number of the line in the document /message referenced in 1154 Reference number. In this message it is used to define a Job type.

Repr: an..6 Min: 1 Max: 6 Datatype: an

**1225 MESSAGE FUNCTION, CODED**

Function: Code indicating the function of the message.  
Repr: an..3 Min: 1 Max: 3 Datatype: id

**2005 DATE/TIME/PERIOD QUALIFIER**

Function: Code giving specific meaning to a date, time or period.  
Repr: an..3 Min: 1 Max: 3 Datatype: id

**2781 DATE/TIME/PERIOD FORMAT QUALIFIER**

Function: Specification of the representation of a date, time or period.  
Repr: an..3 Min: 1 Max: 3 Datatype: an

**2782 DATE/TIME/PERIOD**

Function: The value of a date, a date and time, a time or of a period in a specified representation.  
Repr: an..35 Min: 1 Max: 35 Datatype: an

**3035 PARTY QUALIFIER**

Function: Code giving specific meaning to a party.  
Repr: an..3 Min: 1 Max: 3 Datatype: id

**3036 PARTY NAME**

Function: Name of a party involved in a transaction.  
Repr: an..35 Min: 1 Max: 35 Datatype: an

**3039 PARTY ID IDENTIFICATION**

Function: Code identifying a party involved in a transaction.  
Repr: an..17 Min: 1 Max: 17 Datatype: id

**3042 STREET AND NUMBER/PO BOX**

Function: Street and number in plain language, or Post Office Box number.  
Repr: an..35 Min: 1 Max: 35 Datatype: an

**3055 CODE LIST RESPONSIBLE AGENCY, CODED**

Function: Code identifying the agency responsible for a code list.  
Repr: an..3 Min: 1 Max: 3 Datatype: id

**3124 NAME AND ADDRESS LINE**

Function: Free form name and address description.  
Repr: an..35 Min: 1 Max: 35 Datatype: an

**3164 CITY NAME**

Function: Name of a city (a town, a village) for addressing purposes.  
Repr: an..35 Min: 1 Max: 35 Datatype: an

**3207 COUNTRY, CODED**

Function: Name of a country or other geographical entity as specified in ISO 3166.  
Repr: an..3 Min: 1 Max: 3 Datatype: id

**3225 PLACE/LOCATION IDENTIFICATION**

Function: Name of place/location, other than 3164 City name.  
Repr: an..25 Min: 1 Max: 25 Datatype: id

**3227 PLACE/LOCATION QUALIFIER**

Function: Code identifying the function of a location.  
Repr: an..3 Min: 1 Max: 3 Datatype: id

**3229 COUNTRY SUB-ENTITY IDENTIFICATION**

Function: Name of sub-entities (state, province) defined by appropriate governmental agencies, coded.  
Repr: an..9 Min: 1 Max: 9 Datatype: id

**3251 POSTCODE IDENTIFICATION**

Function: Code defining postal zones or addresses.  
Repr: an..9 Min: 1 Max: 9 Datatype: id

**3439 SUB-LOCATION IDENTIFICATION**

Function: Specification of a sub-location.  
Repr: an..17 Min: 1 Max: 17 Datatype: an

**3701 LANGUAGE, CODED**

Function: Code of language (ISO 639-1988)  
Repr: an..3 Min: 1 Max: 3 Datatype: an

**+3802 PATIENT FAMILY NAME**

Function: Free form patient family name.  
Repr: an..35 Min: 1 Max: 35 Datatype: an

**+3804 PATIENT PREVIOUS FAMILY NAME**

Function: Free form patient previous name.  
Repr: an..35 Min: 1 Max: 35 Datatype: an

**+3806 PATIENT IDENTIFICATION, CODED**

Function: Patient identification, coded.  
Repr: an..17 Min: 1 Max: 17 Datatype: id

**+3818 PATIENT FORENAME**

Function: Free form patient forename(s).  
Repr: an..22 Min: 1 Max: 22 Datatype: an

**+3820 PATIENT CALLING NAME**

Function: Specify a patient's calling name which might be different from the patients  
forename.  
Repr: an..22 Min: 1 Max: 22 Datatype: an

**+3824 PATIENT NAME TITLE**

Function: Free form patient title.  
Repr: an..10 Min: 1 Max: 10 Datatype: an

**4343 RESPONSE TYPE, CODED**

Function: Code specifying the type of response code required.  
Repr: an..3 Min: 1 Max: 3 Datatype: id

**4440 FREE TEXT**

Function: Free text field available to the message sender for information.  
Repr: an..70 Min: 1 Max: 70 Datatype: an

**4441 FREE TEXT, CODED**

Function: Free text in coded form.  
Repr: an..3 Min: 1 Max: 3 Datatype: id

**4451 TEXT SUBJECT QUALIFIER**

Function: Code specifying subject of a free text.  
Repr: an..3 Min: 1 Max: 3 Datatype: id

**4453 TEXT FUNCTION, CODED**

Function: Code specifying how to handle the text.  
Repr: an..3 Min: 1 Max: 3 Datatype: id

**4774 TEXTUAL EQUIVALENT OF THE ASSOCIATED CODED REPR.**

Function: Textual description adding to or replacing corresponding coded information.  
Repr: an..35 Min: 1 Max: 35 Datatype: an

**6008 HEIGHT DIMENSION**

Function: Height of pieces or packages stated for transport purposes.  
Repr: n..15 Min: 1 Max: 15 Datatype: n

**6060 QUANTITY**

Function: Numeric value of a quantity.  
Repr: n..15 Min: 1 Max: 15 Datatype: n

**6063 QUANTITY QUALIFIER**

Function: Code giving specific meaning to a quantity.  
Repr: an..3 Min: 1 Max: 3 Datatype: id

**+6150 WEIGHT**

Function: The weight of a given patient.  
Repr: n..15 Min: 1 Max: 15 Datatype: n

**6411 MEASURE UNIT QUALIFIER**

Function: Indication of the unit of measurement in which weight (mass), capacity, length, area, volume or other quantity is expressed.  
Repr: an..3 Min: 1 Max: 3 Datatype: id

**+9801 SEX**

Function: An index to specify the registered patients sex.  
Repr: n2 Min: 1 Max: 2 Datatype: n

**+9803 ETHNIC ORIGIN**

Function: To identify the origin of a given patient.

Repr: an..10           Min: 1 Max: 10           Datatype: an

**+9815 HEALTH INFORMATION QUALIFIER**

Function: Code giving specific meaning to an item of health information.

Repr: an..3           Min: 1 Max: 3           Datatype: id

**+9816 HEALTH INFORMATION CODED**

Function: Item of health information.

Repr: an..17           Min: 1 Max: 17           Datatype: an

**+9817 PATIENT EXTRA NAME**

Function: Free form patient alternative name.

Repr: an..35           Min: 1 Max: 35           Datatype: an

## 6.4 Code lists

All codes used in the message are detailed below. Some are taken from the 90.2 directory and some have been added.

### **1131 CODE LIST QUALIFIER**

801 Patient number: National NHSCR Allocated  
813 Temporary patient number: National NHSCR allocated  
814 GP local code: Local code allocated by FHSA.  
815 GP National Code: NHS Allocated  
819 Family Health Services Authority (2, 3 chars) code  
835 Screening Office Code  
837 Cytology Laboratory national code, NHS allocated  
869 DHA national code  
870 Patient Laboratory identifier

### **1153 REFERENCE QUALIFIER**

ORN Originating system reference number

### **1225 MESSAGE FUNCTION, CODED**

232 BSS Registration Changes  
142 PID Data  
143 Individual PID Request  
144 Group PID Request

### **2005 DATE/TIME/PERIOD QUALIFIER**

243 Transmission of document date  
800 Exact date of birth  
830 Date of registration amendment  
801 Previous date of birth

### **2781 DATE/TIME/PERIOD FORMAT QUALIFIER**

102 CCYYMMDD  
204 CCYYMMDDHHMMSS

### **3035 PARTY QUALIFIER**

HP Health patient  
RGP Patient's registered GP

### **4451 TEXT SUBJECT QUALIFIER**

PRS PID Request Status  
PMM PID Matching Method

### **6063 QUANTITY QUALIFIER**

835 Total number of patients  
836 Age range from  
837 Age range to

### **+9801 SEX**

1 Male  
2 Female  
4 Indeterminate

### **+9815 HEALTH INFORMATION QUALIFIER**

FTP File Type  
LOI Laboratory only indicator  
RCT Registration change type  
RCS Registration change source  
PSH Patient screening history flag  
SHF Screening history flag  
PTI PID transfer indicator  
LAI Latest address indicator



## 7. Examples

### 1. Individual Patient PID Requests (Incoming)

UNB+UNOA:2+A1145+SUN1+940927:1700+00000012++REGIS'  
UNH+00000678+REGIS:0:4:FH'  
BGM+++243:19940927164000:204+143'  
NHS+A1145:837'  
RFF+ORN:75'  
PAD+NHS0246875:801++A114594123:870+HENDERSON++:JANE:CHRISTINE++++800:19  
630714:102'  
NAD+HP++2 BLAKEMORE AVENUE+++++DH3 4AT'  
PAD+++A1145947634:870+CARLSON++:ANNE++++800:19740527:102'  
NAD+HP++35 LAKESIDE CRESCENT'  
PAD+++A11459403:870+TEMPLEMANN++:GEORGINA++++800:19540201:102'  
UNT+10+00000678'  
UNZ+1+00000012'

### 2. Group PID Request (Incoming)

UNB+UNOA:2+A1145+SUN1+940927:1701+00000013++REGIS'  
UNH+00000679+REGIS:0:4:FH'  
BGM+++243:19940927164005:204+144'  
NHS+A1145:837'  
NHS+50178:815'  
RFF+ORN:76'  
QTY+836:20'  
QTY+837:35'  
PAD+++++1'  
UNT+9+00000679  
UNH+00000670+REGIS:0:4:FH'  
BGM+++243:19940927164100:204+144'  
NHS+A1145:837'  
NHS+L31:869'  
RFF+ORN:77'  
QTY+836:50'  
QTY+837:65'  
HEA+LOI:Y'  
PAD+++++2'  
UNT+10+00000670'  
UNZ+2+00000013'

## 3. PID Data (Outgoing)

UNB+UNOA:2+SUN1+A1145+940927:1705+00000004++REGIS'  
UNH+00000035+REGIS:0:4:FH'  
BGM++193+243:19940927165009:204+142'  
NHS+SUN:819'  
RFF+ORN:75'  
QTY+835:3'  
HEA+FTP:02'  
FTX+PRS++A'  
PAD+NHS0246875:801++A114594123:870+HENDERSON+BARNES+:JANE:CHRISTINE++  
MRS+2+800:19630714:102'  
NHS+H03:869'  
NHS+186409:815'  
NAD+RGP++THE LODGE:FOX LANE:NEWBY:YORKS+POSTLETHWAITE:D ++++DH3  
6AT'  
NAD+HP++:164 WILLOW STREET:REDBY ESTATE:NEWBY:YORKS+++++DH3 1CT'  
HEA+PSH:Y'  
FTX+PMM++H+AUTOMATIC HIT'  
PAD+NHS98004:801++A1145947634:870+CARLSON++:ANNE++MS+2+800:19740527:102'  
NHS+H03:869'  
NHS+300582:815'  
NAD+HP++DOVECOTE COTTAGE::BOLAN HALL:GROVESBY:LINCS ++++LN3 8ZN'  
NAD+RGP++8 ELM GROVE:MANOR PARK:GROVESBY:LINCS+LARKIN:BR ++++LN1  
0BN'  
HEA+PSH:N'  
FTX+PMM++E+ADDRESS HIT'  
PAD+?8004:813+A/11/303/54:801+A11459403:870+TEMPLEMANN++:GEORGINA:LYNN+  
+MISS+2+800:19540201:102'  
NHS+H03:869'  
NHS+211351:815'  
NAD+HP++:25 HIGHGATE AVENUE:LEAS GRANGE:HUNDSEN:CUMBRIA ++++CB8  
8JB'  
NAD+RGP++TEAM HEALTH CENTRE:SPRIGGS ROAD:HUNDSEN:CUMBRIA+  
WATSON:CDJ++++CB8 1BB'  
HEA+PSH:Y'  
FTX+PMM++H+AUTOMATIC HIT NO NHS NUMBER'  
UNT+29+00000035'  
UNZ+1+00000004'

## 4. BSS Registration Changes (Outgoing)

## 4.1 Example 1

UNB+UNOA:2+SUN1+AGA2+940929:1115+00000056++REGIS'  
UNH+00000101+REGIS:0:4:FH'  
BGM++99+243:19940929111609:204+232'  
NHS+SUN:819'  
QTY+835:5'  
PAD+NHSA731290:801+?980872:813++SMITH++:SUSAN:ANN++MRS+2+800:19441121:102'  
NHS+H03:869'  
NAD+HP++:19 VIEWFORTH TERRACE:FULWELL:SUNDERLAND:TYNE & WEAR+++SUNFULL++SR6 1SQ'  
NAD+RGP+++HENDERSON:J'  
DTM+830:19940921:102'  
HEA+RCT:K'  
PAD+NHS0923123:801+++PRAWL++:JANET++MISS+2+800:19380109:102'  
NHS+H03:869'  
NAD+HP++:23 GRAY ROAD:HENDON:SUNDERLAND:TYNE & WEAR+++SUNHEND++SH1 2FY'  
NAD+RGP+++COWANS:H'  
DTM+830:19940903:102'  
HEA+RCT:HJ'  
PAD+NHSA853712:801+++LIGHTFOOT+LIGHTFEET+:CHRISTINE++MRS+2+800:19401024:102'  
NHS+H03:869'  
NAD+HP++:11 HYLTON ROAD:MILLFIELD:SUNDERLAND:TYNE & WEAR+++SUNMILL++SM2 4GT'  
NHS+RGP+++KITSON:A'  
DTM+830:19940824:102'  
HEA+RCT:D'  
PAD+NHJH183231:801+++AHMED++:GHULUM:BAGUM++MRS+2+800:19400912:102'  
NHS+H03:869'  
NAD+HP++SUMMERBEE:1 HIGHFIELD ROAD:BARNES:SUNDERLAND:TYNE & WEAR+++SUNBARN++SBR 1SS'  
NHS+RGP+++KITSON:A'  
DTM+830:19940824:102'  
HEA+RCT:FD'  
PAD+NHDE723511:801+++HUSNAN++:FARTHMA++MRS+2+800:19460101:102'  
NHS+H03:869'  
NAD+HP++:12 STATION ROAD:GILFORD:SUNDERLAND:TYNE & WEAR+++SUNGILF++SGR 3QW'  
NHS+RGP+++HUSSAIN:K'  
DTM+801:19290101:102'  
DTM+830:19940921:102'  
HEA+RCT:E'  
UNT+36+00000101'  
UNZ+1+00000056'

## 4.2 Example 2

UNB+UNOA:2+SUN1+AGA2+940929:1215+00000057++REGIS'  
UNH+00000102+REGIS:0:4:FH'  
BGM++100+243:19940929111609:204+232'  
NHS+SUN:819'  
QTY+835:1'  
PAD+NHSA123290:801+?879654:813++JONES++:JENNY:MAY++MRS+2+800:19341215:1  
02'  
NHS+H03:869'  
NAD+HP++:9 GLADE GARDENS:FULWELL:SUNDERLAND:TYNE &  
WEAR+++SUNFULL'  
NAD+RGP+++HENDERSON:J'  
DTM+830:19940926:102'  
HEA+RCT:K'  
UNT+11+00000102'  
UNZ+1+00000057'